

TARGETTI

BULLETTINO MINI

Compact Adjustable Flood Light Projector

Concept: Extremely small footprint adjustable LED projector.

Materials: Aluminum body and joints for maximum heat dissipation powder coated in Ferrite Grey or Bronze finish. Modular body for toolless maintenance. Lens cover assembly for simple toolless field interchangeability of accessories. Fixture suitable for use in marine grade environments, not to be in direct contact with salt for extended periods of time or used with corrosive agents.

Optics: SP, FL, and MW use high efficiency LED Chip on Board. Equipped with collimating optic with angle specific holographic spread lens filters.

Mounting: Adjustable up to 180° on the vertical plane with aim locking set screw. Brass strain release gland with 1/2" NPT thread nipple that can be screwed directly to receiving mounting.

Installation: Pre-cabled with 10' Belden direct burial 18ga 3 Conductor Cable for Connection to remote power supply.

Finish: Ferrite Grey / Bronze

Power Supply: Remote Class 2, 120V-277VAC power supply required, see page 2 for options.

Wattage: 8W

Color Temperature: 2700°K / 3000°K / 3500°K / 4000°K

CRI: Ra84

Delivered Lumens: **3000°K**

Spot 11° = 442Lm IMax: 19,847cd/klm

Flood 20° = 387Lm IMax: 5,624cd/klm

Medium Wide Flood 37° = 349Lm IMax: 2,049cd/klm

Lumen Maintenance (L70): 50,000hrs

Calculation for LED fixtures are based on measurements that comply with IES LM-80.

CRI: Ra84

Voltage: 24V DC

IK Rating: IK10

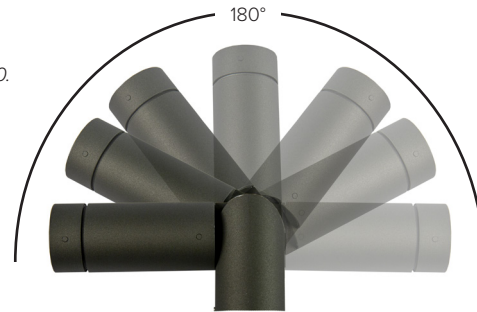
IP Rating: IP66

Certifications: cULus Class 2 Wet Location Listed

Tested in accordance with LM-79-08

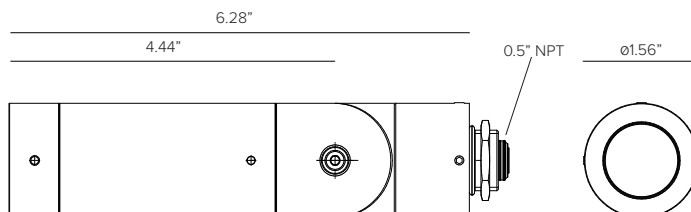
^ATitle 24 commercial installation compliant.

Warranty: 5 year limited warranty



PRODUCT CODE	DRIVER	FINISH	OUTPUT	OPTICS	COLOR TEMP	+	POWER SUPPLY
BLM — BULLETTINO MINI	RP — Remote Power	FE — Ferrite Grey	L1 — 8W	SP — Spot 11°	27 — 2700K	+	See page 4
		BZ — Bronze		FL — Flood 20°	30 — 3000K		
				MF — Medium Wide Flood 37°	35 — 3500K		
					40 — 4000K		

Views



TARGETTI

BULLETTO MINI

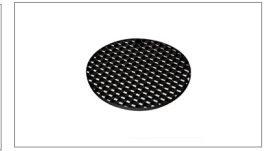
INTERNAL OPTICAL ACCESSORIES:	
Maximum of two optical accessories per fixture.	
1E3793	Chromatic filter Red. Dimensions Ø40mm
1E3794	Chromatic filter Green. Dimensions Ø40mm
1E3795	Chromatic filter Blue. Dimensions Ø40mm
1E3796	Chromatic filter Yellow. Dimensions Ø40mm
1E3797	Chromatic filter Magenta. Dimensions Ø40mm
1E3789	'Blade of Light' linear spread lens filter. Dimensions Ø40mm
1E3791	Honeycomb filter. Dimensions Ø40mm



Chromatic FiltrBLTs

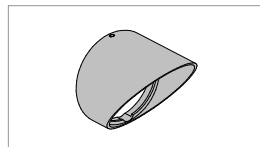


1E3789



1E3791

EXTERNAL OPTICAL ACCESSORIES:		
		Description
●	●	
1E3787	1E3805	Asymmetric screen. Powder coated finish.



Asymmetric Screen

INSTALLATION ACCESSORIES:		
Maximum of one installation accessory per fixture.		
		Description
●	●	
1E3786	1E3804	Plate for fitting rotation. Powder coated stainless steel.
1E3785	1E3803	Earthspike. Powder coated stainless steel.
1BLTSMCVRFE	1BLTSMCVRBZ	Low Profile surface canopy. Powder coated aluminum with 1/2" NPT to mount over 4" Dia. X .5" H pancake j-box.



Plate for Rotation



Earthspike



Surface Mount Canopy

Tree Mounting Accessories

TREE STRAP (REQUIRED) 1 TO 4 FIXTURES PER TREE – CHOOSE 1	
Durable 1.5 inch wide Nylon webbing Strap is flexible with High Strength Aircraft Aluminum V-ring Buckle in Gunmetal finish and lock in loop to prevent slipping. The strap is made to coordinate with up to 4 fixtures and 1 wiring connection box.	
TTS0101	Tree strap for trees 39" in circumference or smaller. Olive Green nylon strap with Gunmetal cinch buckle.
TTS0102	Tree strap for trees 39" in circumference or smaller. Coyote Brown nylon strap with Gunmetal cinch buckle.
TTS0103	Tree strap for trees 39" in circumference or smaller. Graphite Grey nylon strap with Gunmetal cinch buckle.







Single Tree Strap with Fixture Bracket

TREE STRAP (REQUIRED) 5 TO 8 FIXTURES PER TREE – CHOOSE 1	
Durable 1.5 inch wide Nylon webbing Strap is flexible with High Strength Aircraft Aluminum V-ring Buckle in Gunmetal finish and lock in loop to prevent slipping. The strap is made to coordinate with up to 8 fixtures and 1 wiring connection box.	
TTS0106	Two tree straps for trees 39" in circumference or smaller. Olive Green nylon strap with Gunmetal cinch buckle.
TTS0104	Two tree straps for trees 39" in circumference or smaller. Coyote Brown nylon strap with Gunmetal cinch buckle.
TTS0105	Two tree straps for trees 39" in circumference or smaller. Graphite Grey nylon strap with Gunmetal cinch buckle.



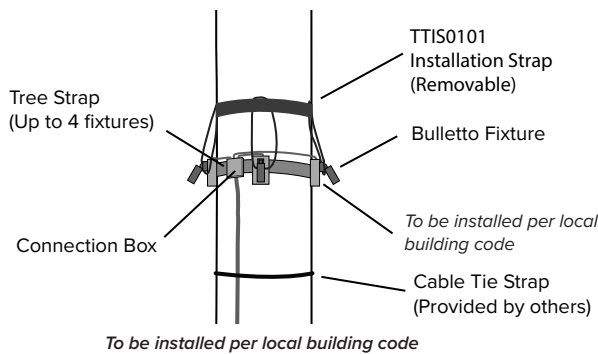
Double Tree Strap with Fixture Bracket

FIXTURE BRACKETS (REQUIRED) - CHOOSE 1		
Buckle style Brackets for securing onto Tree Straps.		
		<i>Description</i>
TTBLT0101	TTBLT0102	Bracket with stainless steel mounting screws.
WIRING CONNECTION BOX (OPTIONAL)		
Tree strap connection boxes are used to connect all multiple low voltage cables for one continuous cable connection down the tree, additional cable provided by others.		
TTCB0103	Tree Strap Connection Box. Grey ABS plastic with internal terminal block for wire connections and 3 each 1/2" knockouts for connections to 1 to 4 fixtures. Dimensions: 3/4" x 2 1/2" x 1 3/4".	

FIXTURE BRACKETS (REQUIRED) - CHOOSE 1		
Buckle style Brackets for securing onto Tree Straps.		
		<i>Description</i>
TTBLT0201	TTBLT0202	Bracket with stainless steel mounting screws.
WIRING CONNECTION BOX (OPTIONAL)		
Tree strap connection boxes are used to connect all multiple low voltage cables for one continuous cable connection down the tree, additional cable provided by others.		
TTCB0104	Tree Strap Connection Box. Grey ABS plastic with internal terminal block for wire connections and 5 each 1/2" knockouts for connections to 5 to 8 fixtures. Dimensions: 6 1/4" x 3" x 2 1/8".	

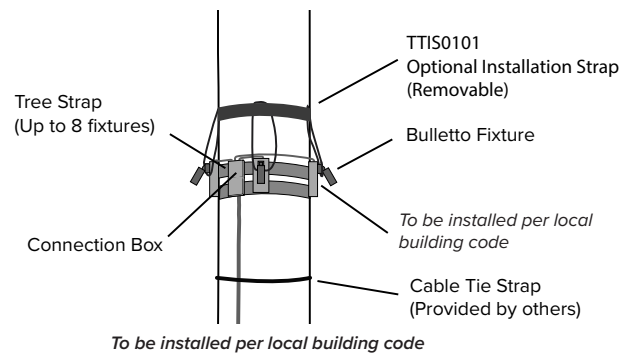
Wiring Configuration

Adjust the strap every 6 months in order to prevent tree damage.



Wiring Configuration

Adjust the strap every 6 months in order to prevent tree damage.



Compatible with Both Installations

INSTALLATION STRAP (OPTIONAL)	
Durable 1.5 inch wide Nylon webbing Strap is flexible with Metal Cinch Buckle and lock in loop to prevent slipping. The installation strap comes with 4 each 12 inch Rubber Loops used to hold up to 8 fixtures in place while positioning and tightening the Tree Strap in position during Installation or Maintenance and then removed for operation. For use with 2 or more fixtures.	
TTIS0102	Installation strap flexible nylon webbing strap with metal cinch buckle and lock in loop. Includes 4 each 150mm rubber loops to hold up to 8 fixtures in place while positioning.

MESH WIRE PROTECTION COVER (OPTIONAL)	
A braided polyethylene terephthalate (PET) monofilament yarn resistant to chemical degradation, UV radiation, and abrasion.	
TTSJS01	Carbon Grey 3/8" SJO Cord Sleeve (Sold per foot)
TTSJS02	Brown 3/8" SJO Cord Sleeve (Sold per foot)
TTSJS03	Forest Green 3/8" SJO Cord Sleeve (Sold per foot)

Power Supply (REQUIRED)	Type	Wattage	Input/Output Voltage	Dimmable	IP Rating	Output	Dimensions
DEL60PWM	ELECTRONIC PWM DRIVER STANDALONE, UL LISTED ENCLOSURE PROVIDED BY OTHERS	60W	120-277V / 24V	0-10V/PWM 10%	IP67	UR CLASS 2	5.9" X 2.09" X 1.38"
DEL90PWM	ELECTRONIC PWM DRIVER STANDALONE, UL LISTED ENCLOSURE PROVIDED BY OTHERS	90W	120-277V / 24V	0-10V/PWM 10%	IP67	UR CLASS 2	6.73" X 2.48" X 1.48"
DEDD10010	ELECTRONIC 0-10V DRIVER STANDALONE, UL LISTED ENCLOSURE PROVIDED BY OTHERS	100W	120-277V / 24V	0-10V DIMMING 0.1%	IP20	UR CLASS 2	6.02" x 1.97" x 0.91"
DELV40124D	ELECTRONIC LOW VOLTAGE TRANSFORMER	40W	120-277V / 24V	PHASE (120V ONLY) /0-10V DIMMING 10%	IP66 / NEMA4 ENCLOSURE	UL CLASS 2	11" x 4" x 2.21" ¹
DELV60124D	ELECTRONIC LOW VOLTAGE TRANSFORMER	60W	120-277V / 24V	PHASE (120V ONLY) /0-10V DIMMING 10%	IP66 / NEMA4 ENCLOSURE	UL CLASS 2	11" x 4" x 2.21" ¹
DELV96124D	ELECTRONIC LOW VOLTAGE TRANSFORMER	96W	120-277V / 24V	PHASE (120V ONLY) /0-10V DIMMING 10%	IP67 / NEMA4 ENCLOSURE	UL CLASS 2	11" x 4" x 2.21" ¹
DELX601241CPWM	ELECTRONIC PWM DRIVER	60W	120-277V / 24V	0-10V/PWM 10%	IP67 / NEMA3R ENCLOSURE	UL CLASS 2	10" x 10" x 4" ¹
DELX901241CPWM	ELECTRONIC PWM DRIVER	90W	120-277V / 24V	0-10V/PWM 10%	IP67 / NEMA3R ENCLOSURE	UL CLASS 2	10" x 10" x 4" ¹
DELX1802242CPWM	ELECTRONIC PWM DRIVER	2X90W	120-277V / 24V	0-10V/PWM 10%	IP67 / NEMA3R ENCLOSURE	UL CLASS 2	12" x 12" x 4" ¹
DELX2703243CPWM	ELECTRONIC PWM DRIVER	3X90W	120-277V / 24V	0-10V/PWM 10%	IP67 / NEMA3R ENCLOSURE	UL CLASS 2	12" x 12" x 4" ¹
PS060	LUTRON HI-LUME PREMIER 0.1% CONSTANT VOLTAGE DRIVER WITH UL LISTED ENCLOSURE	96W	UNIVERSAL 120-277 VAC	HI-LUM DIMMABLE 0.1%	IP20/NOM CERTIFIED	UL CLASS 2	10.5" x 5.5" x 2" ¹
PS062	QTRAN QOM-eLED CONSTANT VOLTAGE DRIVER WITH UL LISTED ENCLOSURE	100W	100-277V / 24V	0-10V	IP67	UR CLASS 2	15.4" X 9.22" X 4.90"
PS063	QTRAN QOM-eLED CONSTANT VOLTAGE DRIVER WITH UL LISTED ENCLOSURE	2X100W	100-200V / 24V	0-10V	IP67	UR CLASS 2	15.4" X 9.22" X 4.90"

¹ Dimensions include enclosure with mounting bracket.

* Constant voltage drivers 50/60HZ, voltage regulated with short circuit protection. Operating temperature -40 C- 80° C

* Installation of power supply must be compliant to Class 2 installation standards. Refer to NEC and local building code requirements.

* Consult factory for additional driver options (ie: DMX, DALI, wattage, size, shape, Lutron, ELDO, or others).

MAX FIXTURES PER DRIVER

Fixture Wattage	Driver Wattage							
	40W	60W	96W	90W	2X90W	3X90W	100W	2X100
8W	4	6	9	9	18	27	10	20

TARGETTI

BULLETTO MINI

Photometry

SPOT		POLAR GRAPH
Fixture Power	8W	
Fixture Output	442Lm	
Kelvin Temp	3000°K	
Beam Spread	SP 11°	
IMax	19,847cd/klm	
Efficacy	57 Lm/W	

FLOOD		POLAR GRAPH
Fixture Power	8W	
Fixture Output	387Lm	
Kelvin Temp	3000°K	
Beam Spread	FL 20°	
IMax	5,624cd/klm	
Efficacy	50 Lm/W	

MEDIUM WIDE FLOOD		POLAR GRAPH
Fixture Power	8W	
Fixture Output	349Lm	
Kelvin Temp	3000°K	
Beam Spread	MF 37°	
IMax	2,049cd/klm	
Efficacy	45 Lm/W	