

# TARGETTI

## STORE MINI GIMBAL

### Adjustable Recessed LED Projector Downlight

**Concept:** Professional single COB LED in small aperture 3" recessed adjustable downlight.

**Housings:** Non IC plaster frame or IC/Air tight housing available.

**Materials:** Painted die-cast aluminium projector body and external ring. Polycarbonate internal ring. Available in black and white. Gimbal System to adjust the optical unit 30° vertically and 355° horizontally.

**Optics:** Primary optical assembly complete with metal precision optic with convex facets (SP, FL, MWF and WFL) or methacrylate lens (NSP) only.

**Mounting:** Tool-free spring-clip mounting system into Targetti recessed housings.

**Driver:** Driver available as Electronic Phase or 0-10V dimmable. Also available with EldoLED 0-10V, Eco (1%) and Solo (0.1%) dimmable drivers

**Wattage:** 5W, 14W and 21W standard

**Color Temperature:** 2700K / 3000K / 3500K / 4000K

**CRI:** +92CRI

**Lumen Maintenance (L70):** 50,000hrs

*Calculation for LED fixtures are based on measurements that comply with IES LM-80.*

**Voltage:** 120 or 277V AC 50/60Hz, 120V or 277V must be specified for correct thermal protector.

**IP Rating:** IP20

**Certifications:** Damp rated cULus listed to UL1598 & UL8750

IC/Air tight housing version is Chicago Plenum Rated.

Tested in accordance with LM-79-08

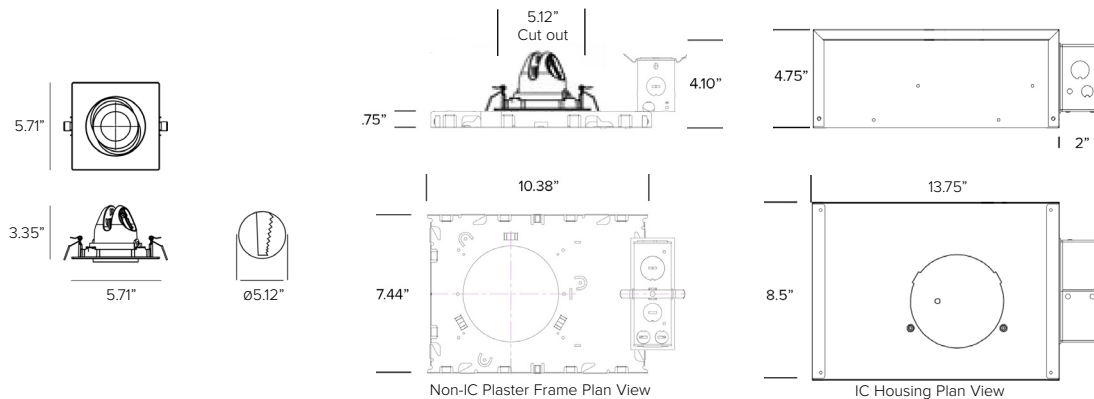
**Warranty:** 5 year limited warranty



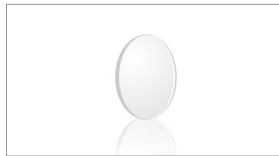
PRODUCT CODE	FIXTURE COLOR	OPTICS	WATTAGE	COLOR TEMP	+	HOUSING	DRIVER	VOLTAGE
STMG – STORE Mini Gimbal	PW – Plaster White	NS – Narrow Spot 9°	L1 – 5W	27 – 2700K		NC – Non-IC Plaster Frame	EP <sup>1</sup> – Electronic Phase Dimmable	1 – 120
	DB – Deep Black	SP – Spot 15°	L2 – 14W	30 – 3000K		IC – IC/Air Tight Housing	10 – 0-10V	2 – 277
		FL – Flood 30°	L3 – 21W	35 – 3500K			E1 – Eldo 1%	
		MW – Medium Wide Flood 46°		40 – 4000K			E0 – Eldo 0.1%	
		WF <sup>3</sup> – Wide Flood 60°						

<sup>1</sup>Electronic phase dimmable available for 120V only.  
<sup>2</sup>Lutron 1% ECO system driver available upon request.

### Views



Optical Accessories:	
Maximum of one optical accessory per fixture	
<b>1T6521</b>	Protective screen. Diameter 2".
<b>49881</b>	Chromatic filter Red. Glass made, with dichroic treatment. Diameter 2".
<b>49882</b>	Chromatic filter Green. Glass made, with dichroic treatment. Diameter 2".
<b>49886</b>	Chromatic filter Blue. Glass made, with dichroic treatment. Diameter 2".
<b>49887</b>	Chromatic filter Yellow. Glass made, with dichroic treatment. Diameter 2".
<b>49959</b>	Chromatic filter Magenta. Glass made, with dichroic treatment. Diameter 2".
<b>1T1745</b>	Chromatic filter Cold tone. Interference glass filter to vary the colour temperature of light. Diameter 2".
<b>1T1748</b>	Chromatic filter Gold tone. Interference glass filter to vary the colour temperature of light. Diameter 2".
<b>1T1751</b>	Chromatic filter Peach tone. Interference glass filter to vary the colour temperature of light. Diameter 2".
<b>1T4721</b>	Parallel ribbed glass light blade filter. This makes the beam take on an oval shape, more evident when combined with spot and flood optics. Diameter 2".
<b>1T4322</b>	Anti-glare grid. Black lacquered metal honeycomb structure. Diameter 2".
<b>1T4325</b>	Asymmetric screen in anodized diffusive aluminum, black painted outside. Complete with blade light filter. Ideal for a wall washer effect. To be combined with spot and flood optics. Diameter 2".
<b>1T4324</b>	Zoom optical system consists of flat convex lens in optical glass, specular reflector in anodized aluminium and diffusive holographic filter. To be used after removing the existing optic. It allows to obtain a variable beam from 15° to 60°.



1T6521



Chromatic Filters



Tonal Filters



1T4721



1T4322



1T4325



1T4324



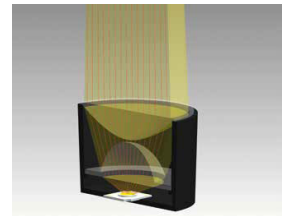
### OPTICAL SYSTEM

The optical system is the heart of every lighting fixture and its role is to adapt to the lamp, control emission and create the light beam. Every optical system is different, calibrated by a specific lamp to maximise performance and designed to interpret a lighting task to the full. Following rapid developments in LED lamps and new technology associated with them it is now more important than ever to look for new solutions, geometry and materials. Given the importance and specificity of this function Targetti has an internal design department dedicated to constantly creating and evolving its optical systems. Extremely innovative proprietary systems that are very different to each other, often protected by patents are developed with careful attention to the precision of the light beams and the best efficiency possible.

### Reflector Optics:

#### LENTICULAR

**“Designed” Light.** In general they are used to create more precise beams where both performance and precision are essential requirements. Optics made with different lens geometries and materials depending on the type of LED lamp, whether a single or linear module, range from plano-convex optical glass from the best Italian tradition, to Fresnel lenses printed in noble plastic materials or innovative transparent cylindrical rods.



#### FACETED

**Maximum Efficiency of soft light.** Made from high vacuum metallised plastic protected with a Scratch Proof Formula or from polished anodised pure aluminium, their high reflectance always ensures high optical efficiency. Profiles designed with the best simulation software and the ellipsoidal convex facets overlaid on them are calibrated to generate various beam angles with an optimal light mix to create precise, soft, clean beams.

