

# TARGETTI

## PICO PYROS Integral Compact Integral Driver Projector

**Concept:** Compact projector flood light for high intensity LED.

**Housing:** Die-cast aluminum body and joints. Finned optical housing for heat dissipation.

**Optic:** High Efficiency multichip LED. Microfaceted aluminium optics available in 18° Spot and 30° Flood distributions.

**Mounting:** Complete with wall mounting bracket. 180° adjustable on the vertical plane with aim locking system, +/-45° adjustable on the horizontal plane through mounting bracket.

**Installation:** Pre-cabled with 6' SJ00W 18-3 cable.

**Finish:** Available in Ferrite Grey or Bronze.

**Driver:** Integrated driver housed in fixture base.

**Wattage:** 10.6W

**Color Temperature:** 3000°K / 4000°K

**Lumens:** 3000°K 4000°K

Spot 18° = 408Lm 433Lm

Flood 36° = 361Lm 383Lm

**Lumen Maintenance (L70):** 50,000hrs

*Calculation for LED fixtures are based on measurements that comply with IES LM-80.*

**CRI:** 84

**Voltage:** 120V AC 50/60Hz

**IP Rating:** IP67 rated, tested as IP68

**Certifications:** cULus Class II Wet Location Listed E488257

Tested in accordance with LM-79-08

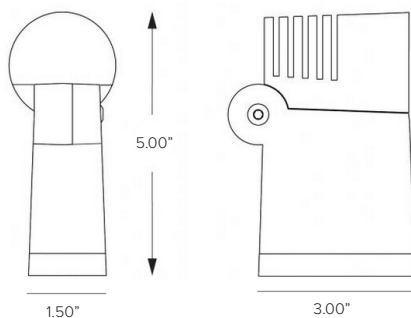
<sup>A</sup> Title 24 commercial installation compliant.

**Warranty:** 5 year limited warranty



| PRODUCT CODE    | TYPE                   | DRIVER                       | FINISH                           | OUTPUT     | OPTICS                          | COLOR TEMP               |
|-----------------|------------------------|------------------------------|----------------------------------|------------|---------------------------------|--------------------------|
| PP — Pico Pyros | ID — Integrated Driver | ND — Non Dimmable Electronic | FE — Ferrite Grey<br>BZ — Bronze | L1 — 10.6W | SP — Spot 18°<br>FL — Flood 36° | 30 — 3000K<br>40 — 4000K |

### Views



# TARGETTI

## PICO PYROS Integral

| ACCESSORIES |                           |
|-------------|---------------------------|
| 1E0995      | Ground Stake, 4.3" length |



1E0995



Tree Strap with Fixture Bracket

### Tree Mounting Accessories

| TREE STRAP (REQUIRED) - CHOOSE 1   |   |
|--|---|
| Durable 1.5 inch wide Nylon webbing Strap is flexible with High Strength Aircraft Aluminum V-ring Buckle in Gunmetal finish and lock in loop to prevent slipping. The strap is made to coordinate with up to 4 fixtures and 1 wiring connection box. |   |
| TTS0101  | Tree strap for trees 39" in circumference or smaller. Olive Green nylon strap with Gunmetal cinch buckle.   |
| TTS0102  | Tree strap for trees 39" in circumference or smaller. Coyote Brown nylon strap with Gunmetal cinch buckle.  |
| TTS0103  | Tree strap for trees 39" in circumference or smaller. Graphite Grey nylon strap with Gunmetal cinch buckle. |

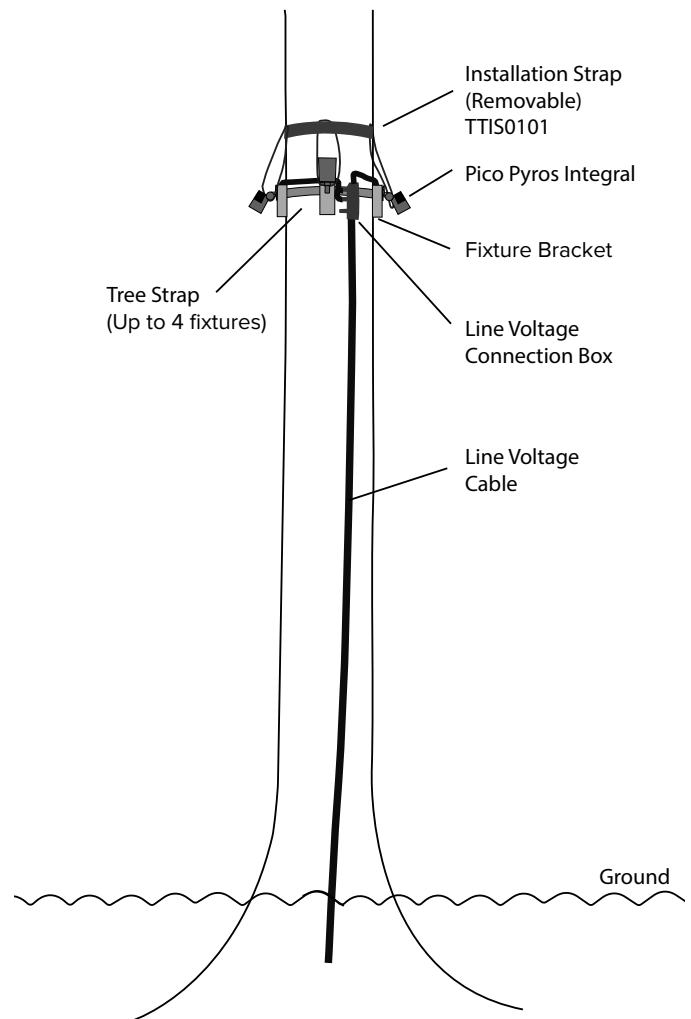
| INSTALLATION STRAP (OPTIONAL)   |   |
|---|---|
| Durable 1.5 inch wide Nylon webbing Strap is flexible with Metal Cinch Buckle and lock in loop to prevent slipping. The installation strap comes with 4 each 12 inch Rubber Loops used to hold up to 4 fixtures in place while positioning and tightening the Tree Strap in position during Installation or Maintenance and then removed for operation. <b>For use with 2 or more fixtures.</b> |   |
| TTS0101   | Installation strap flexible nylon webbing strap with metal cinch buckle and lock in loop. Includes 4 each 12" rubber loops to hold up to 4 fixtures in place while positioning. |

| FIXTURE BRACKETS (REQUIRED) - CHOOSE 1               |   |
|--|---|
| Buckle style Brackets for securing onto Tree Straps. |   |
| TTPI0101   | Ferrite Grey finish Bracket with stainless steel mounting screws. |
| TTPI0102   | Bronze finish Bracket with stainless steel mounting screws.       |

| TREE STRAP LINE VOLTAGE CONNECTION BOX (REQUIRED) - CHOOSE 1   |  |
|--|--|
| Tree strap junction boxes are used to split the line voltage power to either 1, 2, 3 or 4 separate integral driver fixtures. <b>Required for line voltage applications</b> |  |
| TTJB0103   | Tree Strap Connection Box. Grey ABS plastic with internal terminal block for wire connections and 3 each 1/2" knockouts for connections to 1 or 2 fixtures. Dimensions: 3 1/4" x 2 1/2" x 1 3/4".          |
| TTJB0104   | Tree Strap Connection Box. Grey ABS plastic with internal terminal block for wire connections and 4 each 1/2" knockouts for connections to 2 or 3 fixtures. Dimensions: 4 1/2" x 2 1/2" x 1 3/4".          |
| TTJB0105   | Tree Strap Connection Box. Grey ABS plastic with internal terminal block for line voltage wire connections and 5 each 1/2" knockouts for connections to 3 or 4 fixtures. Dimensions: 6 1/4" x 3" x 2 1/8". |

| MESH WIRE PROTECTION COVER (OPTIONAL)  |   |
|--|---|
| Polypropylene webbing is great for outdoor applications. A braided polyethylene terephthalate (PET) monofilament yarn resistant to chemical degradation, UV radiation, and abrasion. |   |
| TTSJS01  | Carbon Grey 3/8" SJO Cord Sleeve (Sold per foot)  |
| TTSJS02  | Brown 3/8" SJO Cord Sleeve (Sold per foot)        |
| TTSJS03  | Forest Green 3/8" SJO Cord Sleeve (Sold per foot) |

### Wiring Configuration



Adjust the strap every 6 months in order to prevent tree damage.

# TARGETTI

## PICO PYROS Integral

### Photometry

| SPOT           |            | POLAR GRAPH |  | CONE OF LIGHT |                 |        |                |      |      |
|----------------|------------|-------------|--|---------------|-----------------|--------|----------------|------|------|
| Fixture Power  | 10.6W      |             |  | (Ft)          | Alpha=9.2°+9.2° | G=0.0° | Beta=9.2°+9.2° | Max  | Med  |
| Fixture Output | 408Lm      | 433Lm       |  |               |                 |        |                | ftcd | ftcd |
| Kelvin Temp    | 3000°K     | 4000°K      |  |               | 4.00            |        |                | 141  | 89   |
| Beam Spread    | SP 18°     | SP 18°      |  |               | 8.00            |        |                | 35   | 22   |
| IMax           | 4497cd/klm | 4497cd/klm  |  |               | 12.00           |        |                | 16   | 10   |
| Efficacy       | 34 Lm/W    | 36 Lm/W     |  |               | 16.00           |        |                | 9    | 6    |
|                |            |             |  | 20.00         |                 |        | 6              | 4    |      |

| FLOOD          |            | POLAR GRAPH |  | CONE OF LIGHT |                   |        |                  |      |      |
|----------------|------------|-------------|--|---------------|-------------------|--------|------------------|------|------|
| Fixture Power  | 10.6W      |             |  | (Ft)          | Alpha=18.1°+18.1° | G=0.0° | Beta=18.0°+18.0° | Max  | Med  |
| Fixture Output | 361Lm      | 383Lm       |  |               |                   |        |                  | ftcd | ftcd |
| Kelvin Temp    | 3000°K     | 4000°K      |  |               | 3.00              |        |                  | 73   | 43   |
| Beam Spread    | FL 36°     | FL 36°      |  |               | 6.00              |        |                  | 18   | 11   |
| IMax           | 1308cd/klm | 1308cd/klm  |  |               | 9.00              |        |                  | 8    | 5    |
| Efficacy       | 30 Lm/W    | 32 Lm/W     |  |               | 12.00             |        |                  | 5    | 3    |
|                |            |             |  | 15.00         |                   |        | 3                | 2    |      |