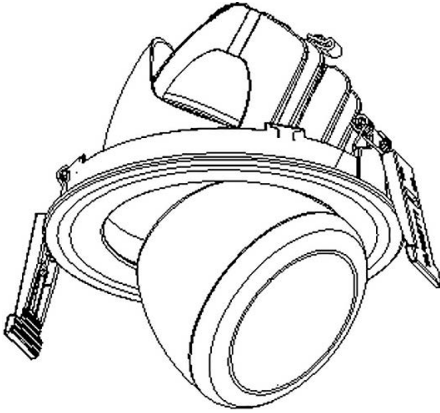


TARGETTI

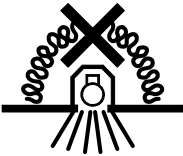
CLOUD



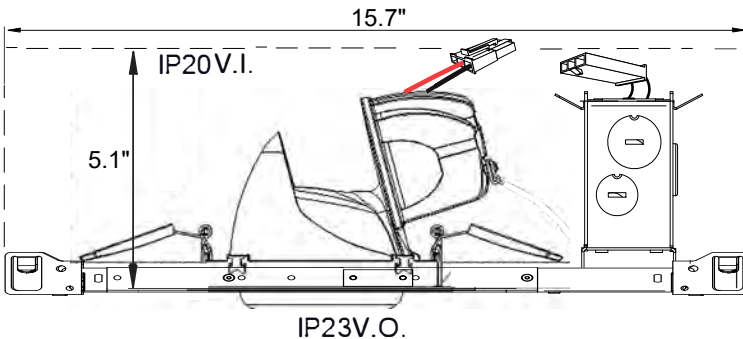
CLDL-A
LARGE DOWNLIGHT



Ø 6 3/8"

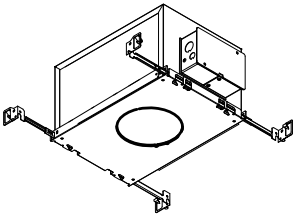


The luminaire shall, under no circumstances, be covered with insulating matting or similar material.





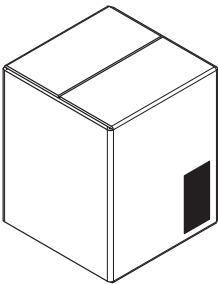
Please leave a copy of these instructions to the person responsible for the maintenance of the installation.



Before installing, confirm that appropriate Frame or Housing is included for project installation requirements and local building codes.

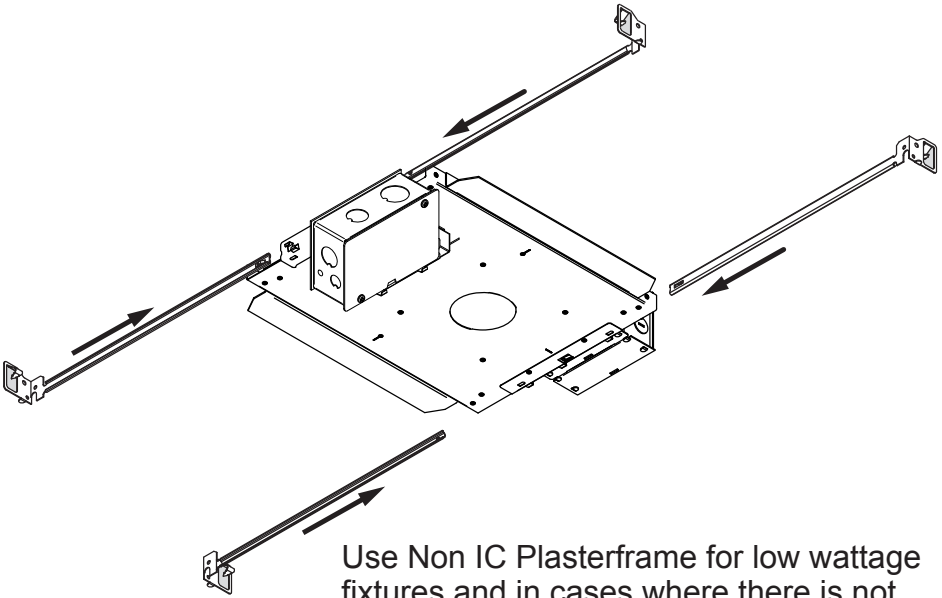


This fixture must be installed by a qualified electrician.
Targetti is not responsible if its fixtures are not installed according to local safety standards.



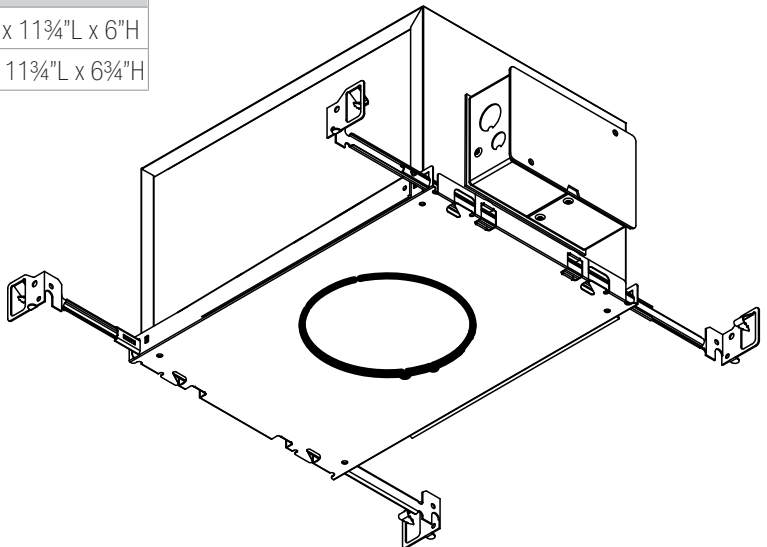
Keep the label of the original packing for eventual future claims.

CHOICE OF HOUSING



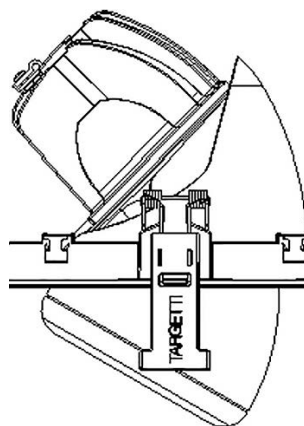
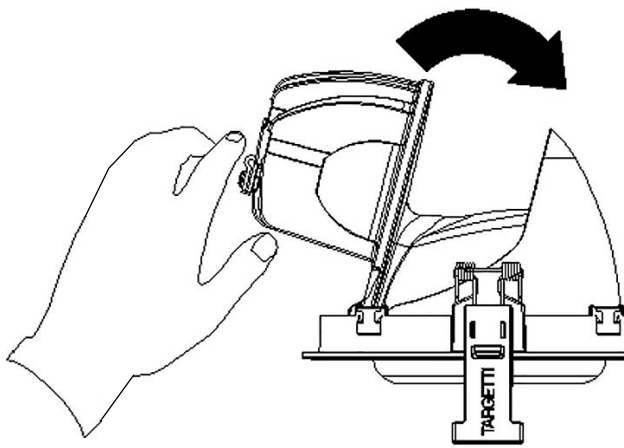
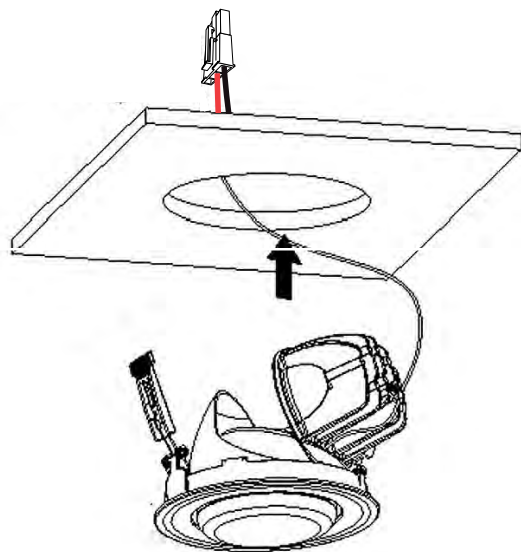
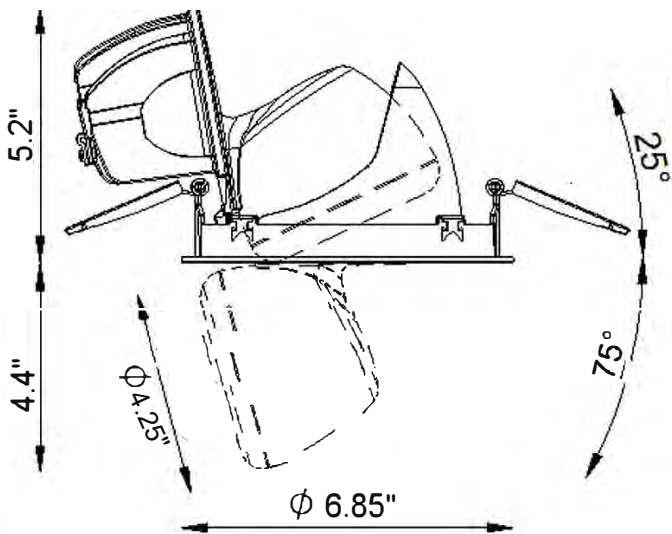
Use Non IC Plasterframe for low wattage fixtures and in cases where there is not any contact with insulation

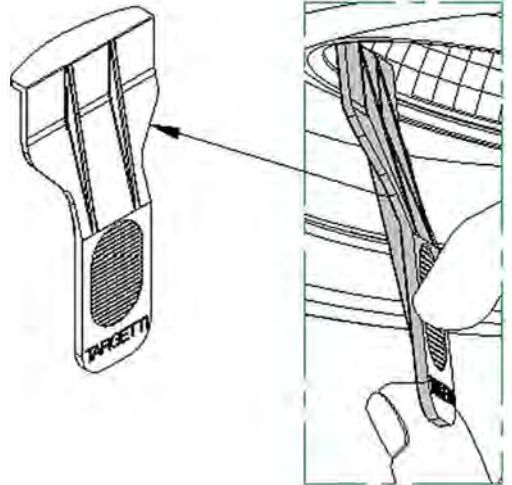
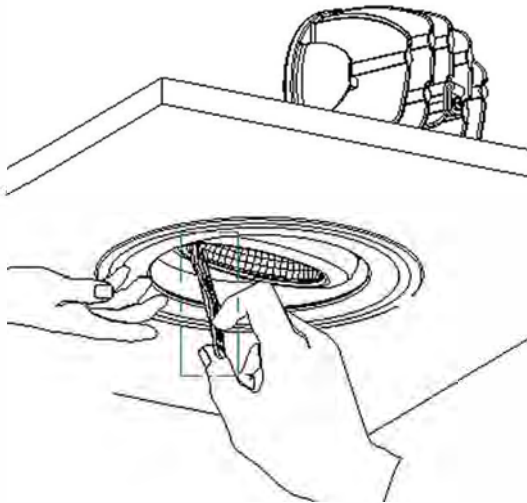
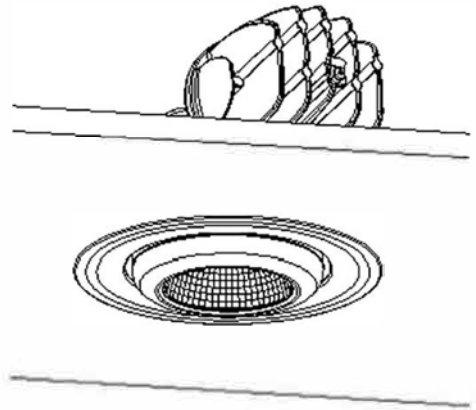
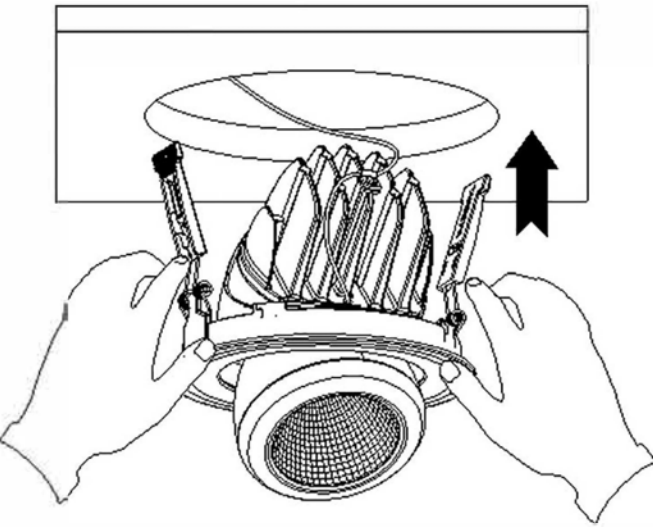
DESCRIPTION	DIMENSIONS
Non-IC Plaster Frame	8½"W x 11¾"L x 6"H
Air Tight Housing	8½"W x 11¾"L x 6¾"H



Use IC Housing for high wattage fixtures and in cases where insulation is present

For connection to main power supply between fixture and driver, UL Listed Luminaire Quick Disconnects are factory attached.





LENS ACCESSORIES

