



DURATAPE ES IP20 Indoor 24VDC 36LEDs per ft

Suitable for Dry locations

DLES15I22HC24	1.5W 24V 2200K Indoor	DLES39I22HC24	3.9W 24V 2200K Indoor
DLES15I24HC24	1.5W 24V 2400K Indoor	DLES39I24HC24	3.9W 24V 2400K Indoor
DLES15I27HC24	1.5W 24V 2700K Indoor	DLES39I27HC24	3.9W 24V 2700K Indoor
DLES15I30HC24	1.5W 24V 3000K Indoor	DLES39I30HC24	3.9W 24V 3000K Indoor
DLES15I35HC24	1.5W 24V 3500K Indoor	DLES39I35HC24	3.9W 24V 3500K Indoor
DLES15I40HC24	1.5W 24V 4000K Indoor	DLES39I40HC24	3.9W 24V 4000K Indoor
DLES30I22HC24	3.0W 24V 2200K Indoor	DLES44I22HC24	4.4W 24V 2200K Indoor
DLES30I24HC24	3.0W 24V 2400K Indoor	DLES44I24HC24	4.4W 24V 2400K Indoor
DLES30I27HC24	3.0W 24V 2700K Indoor	DLES44I27HC24	4.4W 24V 2700K Indoor
DLES30I30HC24	3.0W 24V 3000K Indoor	DLES44I30HC24	4.4W 24V 3000K Indoor
DLES30I35HC24	3.0W 24V 3500K Indoor	DLES44I35HC24	4.4W 24V 3500K Indoor
DLES30I40HC24	3.0W 24V 4000K Indoor	DLES44I40HC24	4.4W 24V 4000K Indoor

DURATAPE ES IP66 Outdoor 24VDC 36LEDs per ft

Suitable for Wet locations

DLES15O27HC24	1.5W 24V 2700K Outdoor
DLES15O30HC24	1.5W 24V 3000K Outdoor
DLES15O35HC24	1.5W 24V 3500K Outdoor
DLES15O40HC24	1.5W 24V 4000K Outdoor
DLES30O27HC24	3.0W 24V 2700K Outdoor
DLES30O30HC24	3.0W 24V 3000K Outdoor
DLES30O35HC24	3.0W 24V 3500K Outdoor
DLES30O40HC24	3.0W 24V 4000K Outdoor
DLES39O27HC24	3.9W 24V 2700K Outdoor
DLES39O30HC24	3.9W 24V 3000K Outdoor
DLES39O35HC24	3.9W 24V 3500K Outdoor
DLES39O40HC24	3.9W 24V 4000K Outdoor
DLES44O27HC24	4.4W 24V 2700K Outdoor
DLES44O30HC24	4.4W 24V 3000K Outdoor
DLES44O35HC24	4.4W 24V 3500K Outdoor
DLES44O40HC24	4.4W 24V 4000K Outdoor

GB

THIS FIXTURE MUST BE INSTALLED BY A QUALIFICATED ELECTRICIAN . DURALAMP IS NOT RESPONSIBLE IF ITS FIXTURES ARE NOT INSTALLED ACCORDING TO LOCAL SAFETY STANDARDS. METHOD OF ATTACHMENT OF THE CABLE OR CORD SUCH THAT IT CANNOT BE REPLACED WITHOUT BREAKING OR DESTROYING THE LUMINAIRE. PLEASE LEAVE A COPY OF THESE INSTRUCTIONS TO THE PERSON RESPONSABLE FOR THE MAINTENANCE OF THE INSTALLATION. KEEP THE LABEL OF THE ORIGINAL PACKING FOR THE EVENTUAL FUTURE CLAIMS

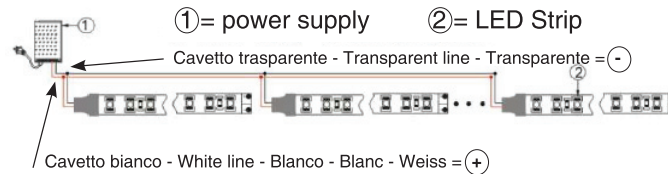
F

L'APPAREIL DOIT ETRE INSTALLE PAR ELECTRICIENS QUALIFIES. DURALAMP NE PEUT PAS ETRE RESPONSABLE POUR TOUTES INSTALLATIONS QUI NE RESPECTENT PAS LES NORMES DE SECURITE EN VIGUER. METHODE D'ATTACHE DU CÂBLE TELLE QUE SA SUBSTITUTION NE PEUT SE FAIRE SANS DETRUIRE L'APPAREIL. LAISSER UNE COPIE DE CES INSTRUCTIONS AU RESPONSABLE DE L'ENTRETIEN DU SYSTEME. GARDER L'ETIQUETTE DE L'EMBALLAGE ORIGINAL POUR EVENTUELLES RECLAMATIONS FUTURES.

E

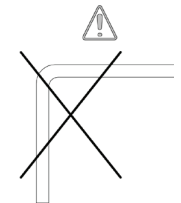
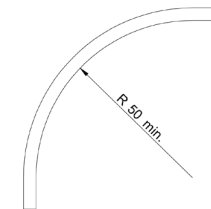
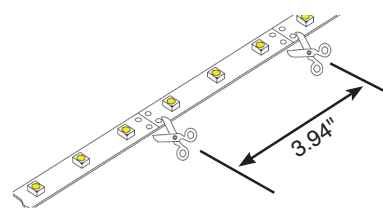
EL APARATO DEBE SER INSTALADO POR ELECTRICISTAS CUALIFICADOS. DURALAMP NO SE RESPONSABILIZARA DE TODAS LAS INSTALACIONES QUE NO RESPETEN LAS NORMAS DA SEGURIDAD EN VIGOR. MÉTODO DE FIJACIÓN DEL CABLE CUYA SUSTITUCIÓN NO PUEDE REALIZARSE SIN ROMPER O DESTRUIR EL DISPOSITIVO. ENTREGAR UNA COPIA DE ESTAS INSTRUCCIONES AL RESPONSABLE DE LA INSTALACION. CONSERVAR LA ETIQUETA DEL EMBALAJE ORIGINAL PARA POSIBLES RECLAMACIONES.

Use with Class 2 power unit



Connections in series - Branchements électrique en série - Conexiones en serie

Max: 2 x 45W
1 x 60W
1 x 75W



Risk group 0 in accordance with EN62471 : 2008 / Groupe de risque 0 selon la norme EN62471 : 2008

Grupo de risco 0 de acordo com norma EN62471 : 2008

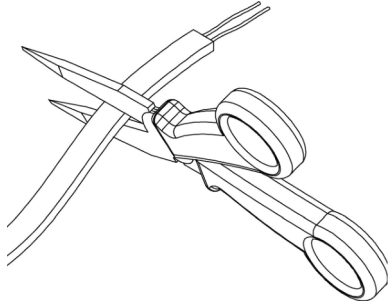
Targetti USA - 750-A W. 17th St., Costa Mesa CA 92627

www.targetti.us

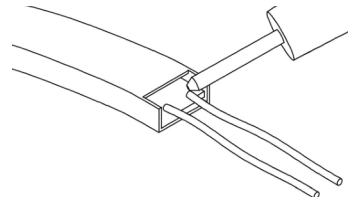


SAVE THESE INSTRUCTIONS

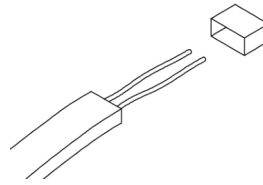
DURATAPE ES IP66



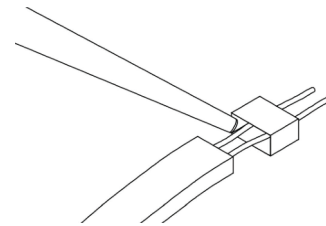
Cut the strip only where marked



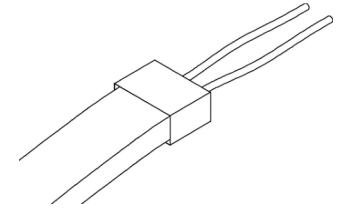
Coat the connector with thin layer of supplied silicone, paying attention to the right polarity



Insert a new cap



Cover with silicon to restore the waterproofing



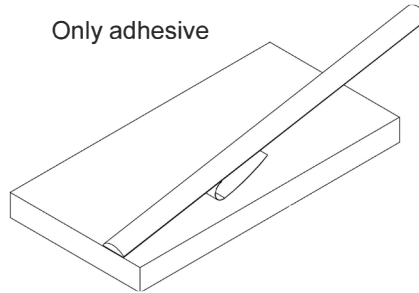
Insert the cap and wait until drying of the silicone

IMPORTANT SAFETY INSTRUCTIONS

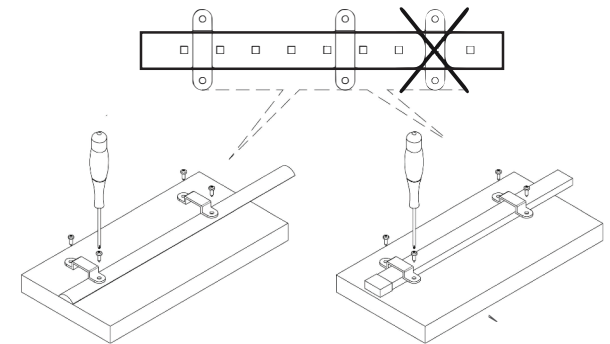
- Read all instructions.
- Do not conceal or extend exposed conductors through a building wall.
- Do not install this system in wet locations.
- For low voltage exposed insulated conductor systems, do not install any part of this system less than 7 feet (2.2 m) above the floor.
- To reduce the risk of fire and burns, do not install this lighting system where the exposed bare conductors can be shorted or contact any conductive materials.
- To reduce the risk of fire and overheating, make sure all connections are tight.
- Do not install any luminaire closer than 6 inches (15.25 cm) from any curtain, or similar combustible materials.
- Turn off electrical power before modifying the lighting system in any way.

DURATAPE ES IP20

Only adhesive



Adhesive and clip



MOUNTING CHANNEL INSTALLATION

The recommended adhesive for attachment of our Channel to the stone work is to use a weatherproof Substructural Adhesive. For example, Liquid Nails or PL400 or both very good for adhesion to concrete and stone and also the polycarbonate and aluminum mounting channels that we supply.

The channel should be secured into position with a full coverage of the adhesive using blocks inserted into the gap width to allow the adhesive to cure for a minimum of 24 hours.

The Duratape can be attached directly to the channel, but it is necessary to be sure that the Channel surface is clean from dust and debris before attaching.

The Duratape product does have a 3M double sided tape, but we find that it is best to also use a thin bead weatherproof silicone added to the edges and ends when attaching. Again the use of blocks or sticks to secure the Duratape in position onto the channel should be done with 24 hours to cure before removing.

It is recommended that the Duratape is all test powered in position before attaching to be sure that no damage has occurred that will be difficult to repair once the product has cured into the channel.