

TARGETTI

SATURN MINI

Professional Inground LED Fixture

Concept: Mini recessed ingrade LED fixture.

Materials: Anodized polished aluminum body.

Trim: Front made entirely of screen-printed, opal white 4mm thick glass.

Optic: High Efficiency LED Emitter. Precision optic system with PMMA lenses for the wide flood version.

Mounting: Recessed mounting with installation sleeve (required). Drive over rated to 20kN.

Driver: Remote Class 2, 120V-277VAC power supply required, see page 2 for options.

Installation: Flush installation sleeve with adjustable collar for precision finished floor mounting 2.76"H, Ø1.58" sleeve . Raised installation mount includes 2.36"H, Ø1.34" sleeve. Pre-cabled with 2ft direct burial 18-2ga cable for connection to remote power supply.

Wattage: 3W

Color Temperature: 3000°K / 4000°K

CRI: 84 CRI standard, 90 CRI available on request.

Lumens: 3000°K 4000°K

Wide Flood 122° = 11Lm 12Lm

Lumen Maintenance (L70): 50,000hrs

Calculation for LED fixtures are based on measurements that comply with IES LM-80.

Voltage: 24VDC

IP Rating: IP67 rated

Load Rating: Resistant to static loads up to 20KN in flush mounted cement and pavement installations.

Certifications: cULus Class 2 Wet Location Listed

Tested in accordance with LM-79-08

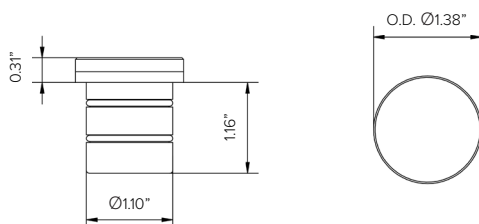
^ATitle 24 commercial installation compliant.

Warranty: 5 year limited warranty



PRODUCT CODE	DRIVER	LENS	WATTAGE	COLOR TEMP	VOLTAGE	+	INSTALLATION
SAM – SATURN Mini	RP – Remote Driver	WF – Wide Flood 122°	L1 – 3W	30 – 3000K	24 – 24VDC		Required (See Pg 2)
			40 – 4000K				

Views

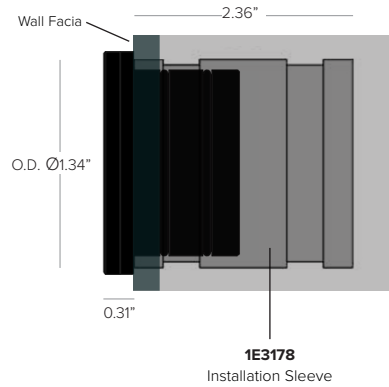


SATURN MINI

REQUIRED - CHOOSE ONE

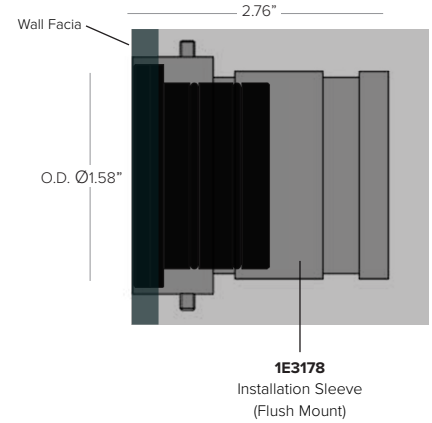
WALL MOUNT INSTALLATION	
1E3178	Installation sleeve. Flush installation sleeve with adjustable collar for precision finished floor mounting 2.76"H, Ø1.58". Raised installation mount 2.36"H, Ø1.34". (REQUIRED)

Surface Wall Mount



Recessed wall sleeve for surface mount outer glow without collar.

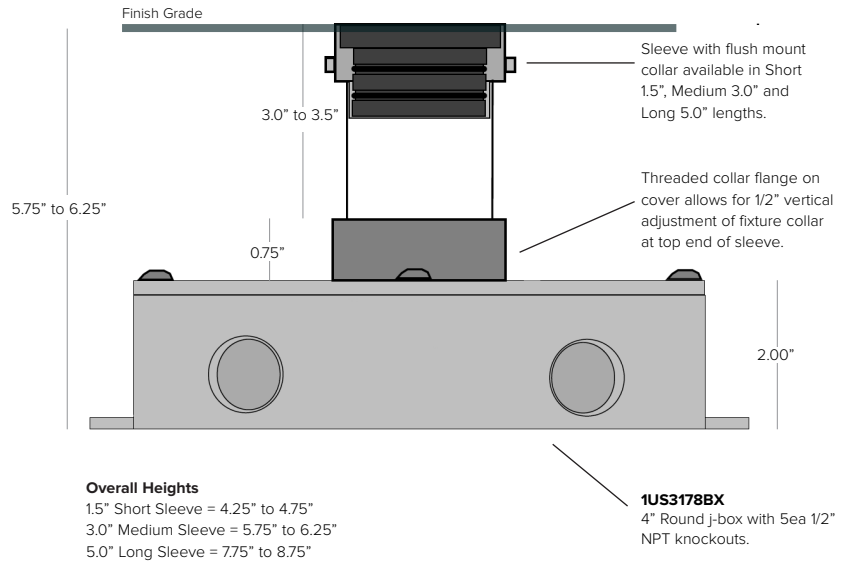
Flush Wall Mount



Recessed wall sleeve for flush mounting with flush mount collar.

DIRECT BURIAL J-BOX	
1US3178S	1.5" Short J-box installation sleeve with flush mount collar. Tube with threaded bottom end for height adjustment up to 1/2" for precision mounting.
1US3178M	3.0" Medium J-box installation sleeve with flush mount collar. Tube with threaded bottom end for height adjustment up to 1/2" for precision mounting.
1US3178L	5" Long J-box installation sleeve with flush mount collar. Tube with threaded bottom end for height adjustment up to 1/2" for precision mounting.
1US3178BX	4" Round installation J-box. PVC with 5 each 1/2" NPT threaded knockouts and installation sleeve cover. Works with both S and L sleeves. Required for use with tube.

Ingrade Mounting



Power Supply (REQUIRED)	Type	Wattage	Input/Output Voltage	Dimmable	IP Rating	Output	Dimensions
DEL60PWM	ELECTRONIC PWM DRIVER STANDALONE, UL LISTED ENCLOSURE PROVIDED BY OTHERS	60W	120-277V / 24V	0-10V/PWM 10%	IP67	UR CLASS 2	5.9" X 2.09" X 1.38"
DEL90PWM	ELECTRONIC PWM DRIVER STANDALONE, UL LISTED ENCLOSURE PROVIDED BY OTHERS	90W	120-277V / 24V	0-10V/PWM 10%	IP67	UR CLASS 2	6.73" X 2.48" X 1.48"
DEDD10010	ELECTRONIC 0-10V DRIVER STANDALONE, UL LISTED ENCLOSURE PROVIDED BY OTHERS	100W	120-277V / 24V	0-10V DIMMING 0.1%	IP20	UR CLASS 2	6.02" x 1.97" x 0.91"
DELV40124D	ELECTRONIC LOW VOLTAGE TRANSFORMER	40W	120-277V / 24V	PHASE (120V ONLY) /0-10V DIMMING 10%	IP66 / NEMA4 ENCLOSURE	UL CLASS 2	11" x 4" x 2.21" ¹
DELV60124D	ELECTRONIC LOW VOLTAGE TRANSFORMER	60W	120-277V / 24V	PHASE (120V ONLY) /0-10V DIMMING 10%	IP66 / NEMA4 ENCLOSURE	UL CLASS 2	11" x 4" x 2.21" ¹
DELV96124D	ELECTRONIC LOW VOLTAGE TRANSFORMER	96W	120-277V / 24V	PHASE (120V ONLY) /0-10V DIMMING 10%	IP67 / NEMA4 ENCLOSURE	UL CLASS 2	11" x 4" x 2.21" ¹
DELX601241CPWM	ELECTRONIC PWM DRIVER	60W	120-277V / 24V	0-10V/PWM 10%	IP67 / NEMA3R ENCLOSURE	UL CLASS 2	10" x 10" x 4" ¹
DELX901241CPWM	ELECTRONIC PWM DRIVER	90W	120-277V / 24V	0-10V/PWM 10%	IP67 / NEMA3R ENCLOSURE	UL CLASS 2	10" x 10" x 4" ¹
DELX1802242CPWM	ELECTRONIC PWM DRIVER	2X90W	120-277V / 24V	0-10V/PWM 10%	IP67 / NEMA3R ENCLOSURE	UL CLASS 2	12" x 12" x 4" ¹
DELX2703243CPWM	ELECTRONIC PWM DRIVER	3X90W	120-277V / 24V	0-10V/PWM 10%	IP67 / NEMA3R ENCLOSURE	UL CLASS 2	12" x 12" x 4" ¹

¹ Dimensions include enclosure with mounting bracket.

* Constant voltage drivers 50/60HZ, voltage regulated with short circuit protection. Operating temperature -40 C- 80° C

* Installation of power supply must be compliant to Class 2 installation standards. Refer to NEC and local building code requirements.

* Consult factory for additional driver options (ie: DMX, DALI, wattage, size, shape, Lutron, ELDO, or others).

MAX FIXTURES PER DRIVER

		Fixture Wattage						
		3W	4W	5W	6W	9W	10W	14W
Driver Wattage	40W	10	8	6	5	3	3	2
	60W	16	12	9	8	5	4	3
	96W	25	19	15	12	8	7	5
	90W	24	18	14	12	8	7	5
	2X90W	48	36	28	24	16	14	10
	3X90W	72	54	43	36	24	21	15
	100W	26	20	16	12	8	8	5
	2X100	53	40	32	26	17	16	11

TARGETTI

SATURN MINI

Photometry

