

## NANO PYROS Remote

Remote driver flood light for high intensity LED

**Concept:** Professional adjustable LED projector flood light.  
**Housing:** Anodized and painted die cast aluminum body and joints.  
**Materials:** Extra clear tempered safety glass, 20 joule shock resistant.  
**Optic:** COB LED. Available in Spot 13° or Flood 32°. Highly reflective metallic hybrid optic (reflective-refractive) system with anodized aluminum reflector and lens system in optical glass with PMMA (spot) or optical glass (flood) lens and holographic filter.  
**Mounting:** Optical housing 180° adjustable on the vertical plane with aim locking system. Joined mounting bracket allowing for 359° adjustment of the fixture on the horizontal plane.  
**Installation:** Pre-cabled with 30' Belden 18ga 2 conductor direct burial cable.

**Finish:** Available in Ferrite Grey or Bronze

**Driver:** Local remote Class 2 driver.

**Wattage:** 21W

**Color Temperature:** 3000°K / 4000°K

<b>Lumens:</b>	<b>3000°K</b>	<b>4000°K:</b>
	Spot 13° = 1612Lm	1666Lm
	Flood 32° = 1509Lm	1560Lm

**Lumen Maintenance (L70):** 50,000hrs

*Calculation for LED fixtures are based on measurements that comply with IES LM-80.*

**CRI:** 84

**Voltage:** Class 2 see remote driver matrix (page 2)

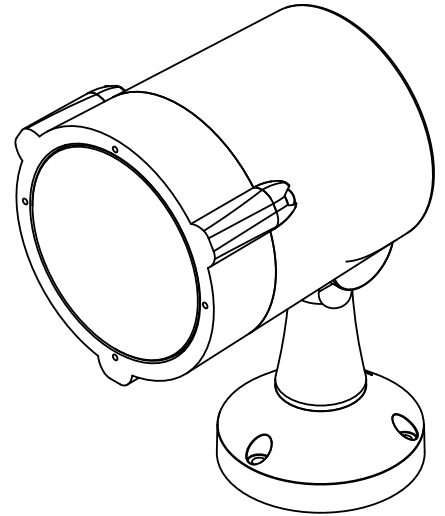
**IP Rating:** IP67

**Certifications:** cULus Class 2 Wet Location Listed IP67 Tested as IP68

Tested in accordance with LM-79-08

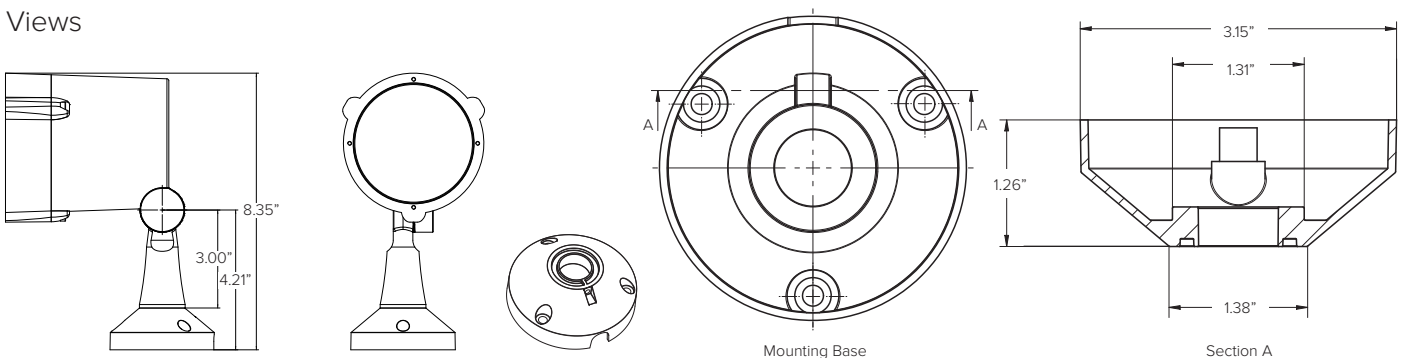
<sup>A</sup>Title 24 commercial installation compliant.

**Warranty:** 5 year limited warranty



PRODUCT CODE	TYPE	FINISH	OUTPUT	OPTICS	COLOR TEMP
NP — Nano Pyros	RP — Remote Power	FE — Ferrite Grey	L1 — 21W	SP — Spot 13°	30 — 3000K
		BZ — Bronze		FL — Flood 32°	40 — 4000K

### Views



## NANO PYROS Remote

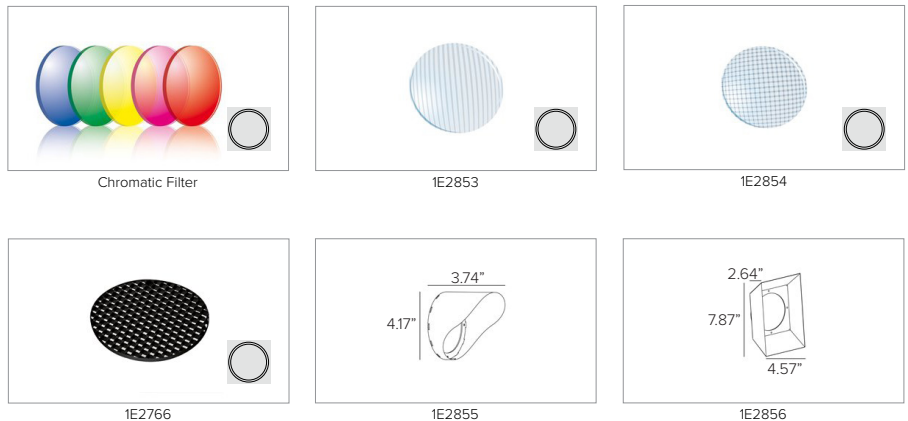
Power Supply (REQUIRED)	Type	Max Fixture Per Driver	Output	Input/Output Voltage	Dimmability	Listing	Dimensions
PS012 <sup>1</sup>	Electronic Class 2 Driver, side feed only. <i>(Listed Enclosure Provided by Others)</i>	1	30W 620mA	Universal 120-277VAC <small>*120V Triac, ELV only</small>	Triac, ELV, or 0-10V	IP64 UR Class 2	3.43" x 2.36" x 1.07"

Consult factory for additional driver options.

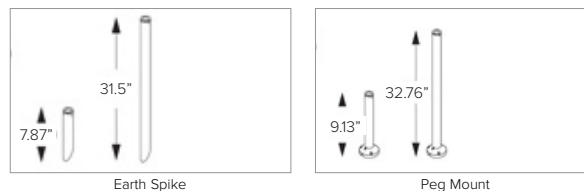
<sup>1</sup>Installation of power supply must be compliant to Class 2 installation standards. Refer to NEC and local building code requirements.

\* Consult factory for additional driver options (ie: DMX, DALI, wattage, size, shape, Lutron, ELDO, or others).

OPTICAL ACCESSORIES	
<b>Maximum of one Filter Optical Accessory + Asymmetric Screen or Barn Door. Hex louver can be used in addition with other accessories as it is housed inside fixture.</b>	
1E2849	Chromatic filters red. Complete with ring Ferrite Grey finish. Diameter 4.22".
1E2850	Chromatic filters green. Complete with ring Ferrite Grey finish. Diameter 4.22".
1E2851	Chromatic filters blue. Complete with ring Ferrite Grey finish. Diameter 4.22".
1E2852	Chromatic filters yellow. Complete with ring Ferrite Grey finish. Diameter 4.22".
1E2853	"Blade of light" effect refractive filter. The special linear incisions modify the light beam, enlarging it in a perpendicular direction to the incisions. With very narrow beams it is possible to obtain precise "blades" of light. Complete with ring Ferrite Grey finish. Diameter 4.22".
1E2854	"Soft beam" effect refractive filter. The special linear incisions reduce the variance between the primary and secondary light beam, making it more uniform. Complete with ring in Ferrite Grey finish. Diameter 4.22".
1E2766	Anti-glare louver. Black painted metal honeycomb structure. Designed to be housed inside the fixture.
1E2855	Adjustable stainless steel asymmetric screen, 8 positions, with 2 mounting screws. Permits the shielding of the light beam with wide beam optics. Ferrite Grey Finish.
1E2856	Stainless steel barn door with fixed flaps, 4 positions adjustment, with 2 mounting screws. Ferrite Grey Finish.



INSTALLATION ACCESSORIES	
1DU2845	Short earth spike Ferrite Grey finish, Ground Install. Dimensions 7.87"H.
1DU2846	Long earth spike, Ferrite Grey finish, Ground Install. Dimensions 31.5"H.
1DU2847	Short peg with base for surface mounting, Ferrite Grey finish. Dimensions 9.13"H.
1DU2848	Long peg with base for surface mounting, Ferrite Grey finish. Dimensions 32.76"H.



### Tree Mounting Accessories

TREE STRAP (REQUIRED) - CHOOSE 1	
Durable 1.5 inch wide Nylon webbing Strap is flexible with High Strength Aircraft Aluminum V-ring Buckle in Gunmetal finish and lock in loop to prevent slipping. The strap is made to coordinate with up to 4 fixtures and 1 wiring connection box.	
<b>TTS0106</b>	Two tree straps for trees 39" in circumference or smaller. Olive Green nylon strap with Gunmetal cinch buckle.
<b>TTS0104</b>	Two tree straps for trees 39" in circumference or smaller. Coyote Brown nylon strap with Gunmetal cinch buckle.
<b>TTS0105</b>	Two tree straps for trees 39" in circumference or smaller. Graphite Grey nylon strap with Gunmetal cinch buckle.



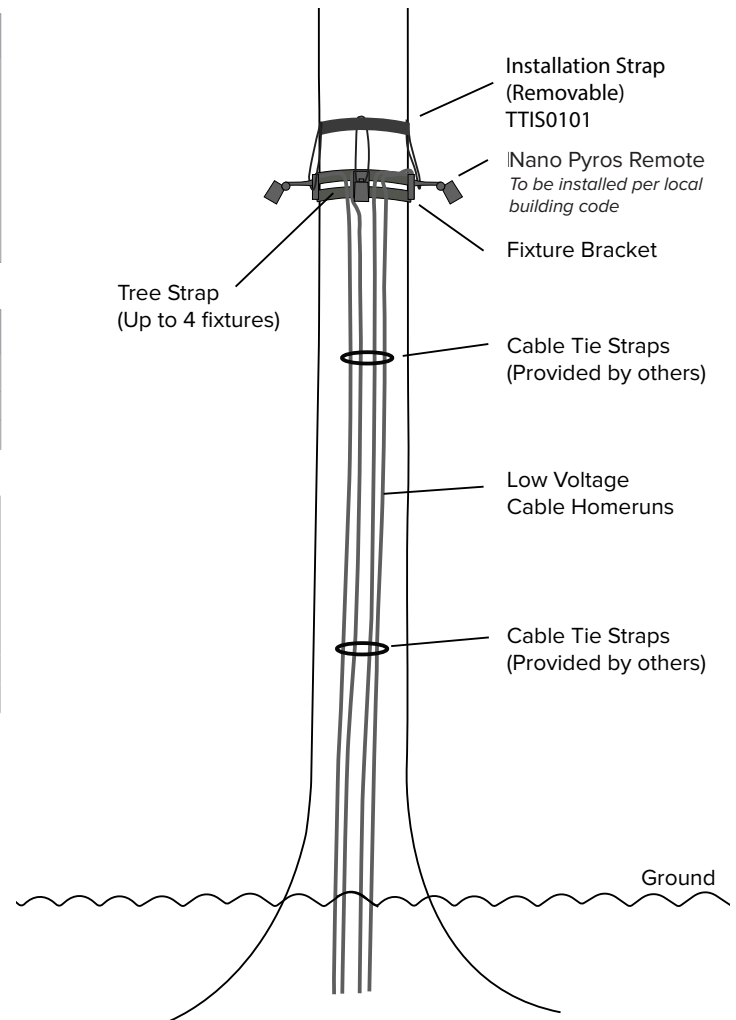
Two Tree Straps with Fixture Bracket

INSTALLATION STRAP (OPTIONAL)	
Durable 1.5 inch wide Nylon webbing Strap is flexible with Metal Cinch Buckle and lock in loop to prevent slipping. The installation strap comes with 4 each 12 inch Rubber Loops used to hold up to 4 fixtures in place while positioning and tightening the Tree Strap in position during Installation or Maintenance and then removed for operation. <b>For use with 2 or more fixtures.</b>	
<b>TTIS0101</b>	Installation strap flexible nylon webbing strap with metal cinch buckle and lock in loop. Includes 4 each 12" rubber loops to hold up to 4 fixtures in place while positioning.

FIXTURE BRACKETS (REQUIRED) - CHOOSE 1	
Buckle style Brackets for securing onto Tree Straps.	
<b>TTNR0101E2</b>	Ferrite Grey finish fixture bracket remote tree bracket.
<b>TTNR0102E2</b>	Bronze finish fixture bracket remote tree bracket.

MESH WIRE PROTECTION COVER (OPTIONAL)	
Polypropylene webbing is great for outdoor applications. A braided polyethylene terephthalate (PET) monofilament yarn resistant to chemical degradation, UV radiation, and abrasion.	
<b>TTSJS01</b>	Carbon Grey 3/8" SJO Cord Sleeve (Sold per foot)
<b>TTSJS02</b>	Brown 3/8" SJO Cord Sleeve (Sold per foot)
<b>TTSJS03</b>	Forest Green 3/8" SJO Cord Sleeve (Sold per foot)

### Wiring Configuration



Adjust the strap every 6 months in order to prevent tree damage.

# TARGETTI

## NANO PYROS Remote

### Photometry

SPOT		POLAR GRAPH		CONE OF LIGHT				
Fixture Power	21W			(Ft)	Max	Med		
Fixture Output	1612Lm    1666Lm			Alpha=5.5°-6.5°	G=0.5°	Beta=6.5°-6.5°	ftcd	ftcd
Kelvin Temp	3000°K    4000°K			7.00	467	297		
Beam Spread	SP 13°    SP 13°			14.00	117	74		
I <sub>Max</sub>	8491cd/klm    8491cd/klm			21.00	52	33		
Efficacy	78 Lm/W    79 Lm/W	28.00	29	19				
		35.00	19	12				

FLOOD		POLAR GRAPH		CONE OF LIGHT				
Fixture Power	21W			(Ft)	Max	Med		
Fixture Output	1509Lm    1560Lm			Alpha=16.2°-16.2°	G=0.5°	Beta=16.2°-16.2°	ftcd	ftcd
Kelvin Temp	3000°K    4000°K			5.00	221	142		
Beam Spread	FL 32°    FL 32°			10.00	56	35		
I <sub>Max</sub>	2052cd/klm    2052cd/klm			15.00	25	16		
Efficacy	72 Lm/W    74 Lm/W	20.00	14	9				
		25.00	9	6				