

TARGETTI

JUPITER MINI

Professional Inground LED Fixture

Concept: Mini recessed ingrade LED fixture.

Materials: Anodized polished aluminum body with Passive cooling system.

Trim: Stainless steel (AISI316L) polished stainless steel front ring with bevelled extraclear front glass.

Optic: Precision optic system with PMMA lenses for the spot, flood and wide flood versions with a light cut system integrated into the front glass.

Mounting: Semi flush mount bevelled trim, installation sleeve (required).

Power Supply: Remote Class II 120V-277VAC power supply required, see page 2 for options.

Installation: Fixture surface mount installation includes 2.36" tall x 1.73" diameter sleeve. Pre-cabled with 2ft direct burial 18ga 2 Conductor Cable for Connection to remote power supply.

Wattage: 3W

Color Temperature: 2700°K / 3000°K / 3500°K / 4000°K

CRI: 84Ra, Ra90 version available on request

Lumens:

	3000°K	4000°K
Spot 17° =	298Lm	319Lm
Flood 30° =	291Lm	311Lm
Wide Flood 60° =	303Lm	324Lm

Lumen Maintenance (L70): 50,000hrs

Calculation for LED fixtures are based on measurements that comply with IES LM-80.

Voltage: 24V DC

IP Rating: IP67

IK Rating: IK10

Load Rating: Resistant to static loads up to 20KN in flush mounted cement and pavement installations.

Certifications: cULus Class 2 Wet Location Listed E479873

Tested in accordance with LM-79-08

^ATitle 24 commercial installation compliant.

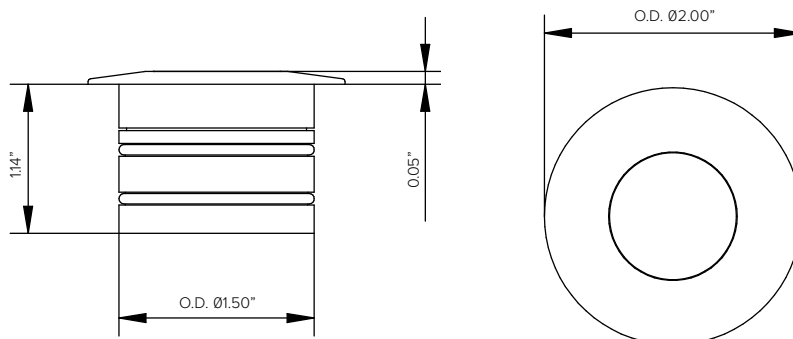
Warranty: 5 year limited warranty

* Up to 1 METER DEPTH of water for up to a maximum of 30 MINUTES



PRODUCT CODE	DRIVER	LENS	WATTAGE	COLOR TEMP	VOLTAGE	LOUVER OPTION	+	INSTALLATION
JPM – JUPITER Mini	RP – Remote Driver	SP – Spot 17°	L1 – 3W	27 – 2700K	24 – 24V DC	LV – Integral Black Louver		Required (See Pg 2)
		FL – Flood 30°		30 – 3000K				
		WF – Wide Flood 60°		35 – 3500K				
				40 – 4000K				

Views



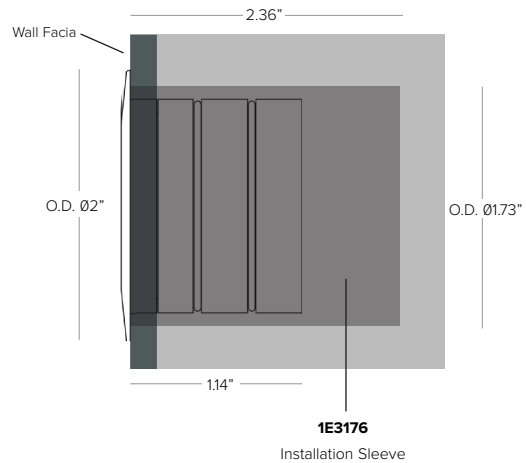
JUPITER MINI

REQUIRED - CHOOSE ONE

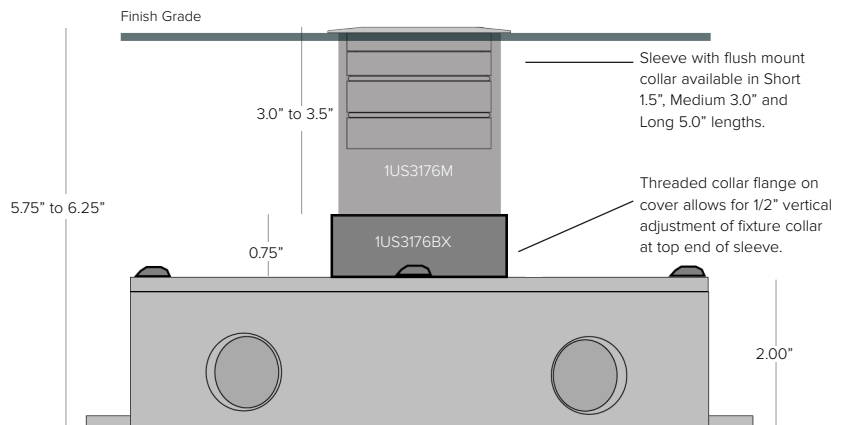
WALL MOUNT INSTALLATION	
1E3176	Installation sleeve flush finish (REQUIRED)

DIRECT BURIAL J-BOX	
1US3176S	1.5" Short J-box installation sleeve with flush mount collar. Tube with threaded bottom end for height adjustment up to 1/2" for precision mounting.
1US3176M	3.0" Medium J-box installation sleeve with flush mount collar. Tube with threaded bottom end for height adjustment up to 1/2" for precision mounting.
1US3176L	5" Long J-box installation sleeve with flush mount collar. Tube with threaded bottom end for height adjustment up to 1/2" for precision mounting.
1US3176BX	4" Round installation J-box. PVC with 5 each 1/2" NPT threaded knockouts and installation sleeve cover. Works with both S and L sleeves. Required for use with tube.

Surface Wall Mount



Ingrade Mounting



Overall Heights

1.5" Short Sleeve = 4.25" to 4.75"
 3.0" Medium Sleeve = 5.75" to 6.25"
 5.0" Long Sleeve = 7.75" to 8.75"

1US3176BX

4" Round j-box with 5ea 1/2" NPT knockouts.

Power Supply (REQUIRED)	Type	Wattage	Input/Output Voltage	Dimmable	IP Rating	Output	Dimensions
DEL60PWM	ELECTRONIC PWM DRIVER STANDALONE, UL LISTED ENCLOSURE PROVIDED BY OTHERS	60W	120-277V / 24V	0-10V/PWM 10%	IP67	UR CLASS 2	5.9" X 2.09" X 1.38"
DEL90PWM	ELECTRONIC PWM DRIVER STANDALONE, UL LISTED ENCLOSURE PROVIDED BY OTHERS	90W	120-277V / 24V	0-10V/PWM 10%	IP67	UR CLASS 2	6.73" X 2.48" X 1.48"
DEDD10010	ELECTRONIC 0-10V DRIVER STANDALONE, UL LISTED ENCLOSURE PROVIDED BY OTHERS	100W	120-277V / 24V	0-10V DIMMING 0.1%	IP20	UR CLASS 2	6.02" x 1.97" x 0.91"
DELV40124D	ELECTRONIC LOW VOLTAGE TRANSFORMER	40W	120-277V / 24V	PHASE (120V ONLY) /0-10V DIMMING 10%	IP66 / NEMA4 ENCLOSURE	UL CLASS 2	11" x 4" x 2.21" ¹
DELV60124D	ELECTRONIC LOW VOLTAGE TRANSFORMER	60W	120-277V / 24V	PHASE (120V ONLY) /0-10V DIMMING 10%	IP66 / NEMA4 ENCLOSURE	UL CLASS 2	11" x 4" x 2.21" ¹
DELV96124D	ELECTRONIC LOW VOLTAGE TRANSFORMER	96W	120-277V / 24V	PHASE (120V ONLY) /0-10V DIMMING 10%	IP67 / NEMA4 ENCLOSURE	UL CLASS 2	11" x 4" x 2.21" ¹
DELX601241CPWM	ELECTRONIC PWM DRIVER	60W	120-277V / 24V	0-10V/PWM 10%	IP67 / NEMA3R ENCLOSURE	UL CLASS 2	10" x 10" x 4" ¹
DELX901241CPWM	ELECTRONIC PWM DRIVER	90W	120-277V / 24V	0-10V/PWM 10%	IP67 / NEMA3R ENCLOSURE	UL CLASS 2	10" x 10" x 4" ¹
DELX1802242CPWM	ELECTRONIC PWM DRIVER	2X90W	120-277V / 24V	0-10V/PWM 10%	IP67 / NEMA3R ENCLOSURE	UL CLASS 2	12" x 12" x 4" ¹
DELX2703243CPWM	ELECTRONIC PWM DRIVER	3X90W	120-277V / 24V	0-10V/PWM 10%	IP67 / NEMA3R ENCLOSURE	UL CLASS 2	12" x 12" x 4" ¹

¹ Dimensions include enclosure with mounting bracket.

* Constant voltage drivers 50/60HZ, voltage regulated with short circuit protection. Operating temperature -40 C- 80° C

* Installation of power supply must be compliant to Class 2 installation standards. Refer to NEC and local building code requirements.

* Consult factory for additional driver options (ie: DMX, DALI, wattage, size, shape, Lutron, ELDO, or others).

MAX FIXTURES PER DRIVER

		Fixture Wattage						
		3W	4W	5W	6W	9W	10W	14W
Driver Wattage	40W	10	8	6	5	3	3	2
	60W	16	12	9	8	5	4	3
	96W	25	19	15	12	8	7	5
	90W	24	18	14	12	8	7	5
	2X90W	48	36	28	24	16	14	10
	3X90W	72	54	43	36	24	21	15
	100W	26	20	16	12	8	8	5
	2X100	53	40	32	26	17	16	11

TARGETTI

JUPITER MINI

Photometry

