

# TARGETTI

## JUPITER

### Professional Inground LED Fixture

**Concept:** Recessed ingrade LED fixture.

**Materials:** Anodized polished aluminum body with Passive cooling system.

**Trim:** Stainless steel (AISI316L) polished stainless steel front ring with bevelled extraclear front glass.

**Optic:** Precision optic system with PMMA lenses for the spot, flood and wide flood versions with a light cut system integrated into the front glass.

**Mounting:** Semi flush mount bevelled trim, installation sleeve (required).

**Power Supply:** Remote Class II 120V-277VAC power supply required, see page 2 for options.

**Installation:** Fixture semi flush mount installation includes 3.15" tall x 2.95" diameter sleeve. Pre-cabled with 2ft direct burial 18ga 2 Conductor Cable for Connection to remote power supply.

**Wattage:** 9W

**Color Temperature:** 2700°K / 3000°K / 3500°K / 4000°K

**CRI:** 84Ra, Ra90 version available on request

**Lumens:** **3000°K** **4000°K**

Spot 18° = 964Lm 994Lm

Flood 34° = 982Lm 1013Lm

Medium Wide Flood 57° = 962Lm 992Lm

**Lumen Maintenance (L70):** 50,000hrs

*Calculation for LED fixtures are based on measurements that comply with IES LM-80.*

**Voltage:** 24V DC

**IP Rating:** IP67

**IK Rating:** IK10

**Load Rating:** Resistant to static loads up to 20KN in flush mounted cement and pavement installations.

**Certifications:** cULus Class 2 Wet Location Listed E479873

Tested in accordance with LM-79-08

<sup>A</sup>Title 24 commercial installation compliant.

**Warranty:** 5 year limited warranty

\* Up to 1 METER DEPTH of water for up to a maximum of 30 MINUTES

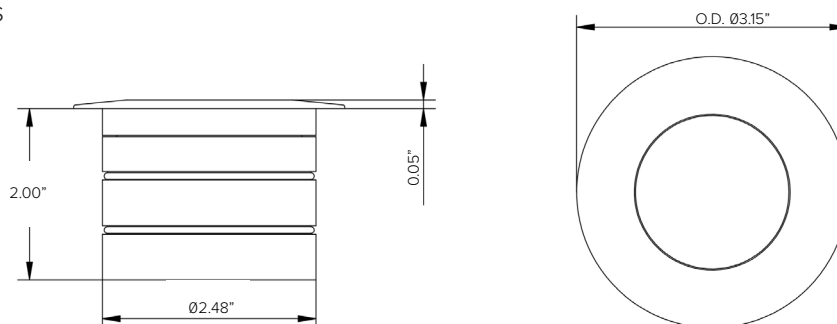


PRODUCT CODE	DRIVER	LENS	WATTAGE	COLOR TEMP	VOLTAGE	LOUVER OPTION	+	INSTALLATION
JUP – JUPITER	RP – Remote Driver	SP – Spot 18°	L1 – 9W	27 – 2700K	24 – 24VDC	LV – Integral Black Louver		Required (See Pg 2)
		FL – Flood 34°		30 – 3000K				
		WF – Wide Flood 57°		35 – 3500K				
				40 – 4000K				

**QUICK SHIP** JUPRPFL13024-QS + 1E3175-QS + DELV96124D-QS

<sup>A</sup>Title 24 commercial installation compliant.  
\* Lead time for quick ship fixtures is 1-2 weeks from processed PO date. Consult factory for quantities of over 20 fixtures to confirm lead time.

### Views

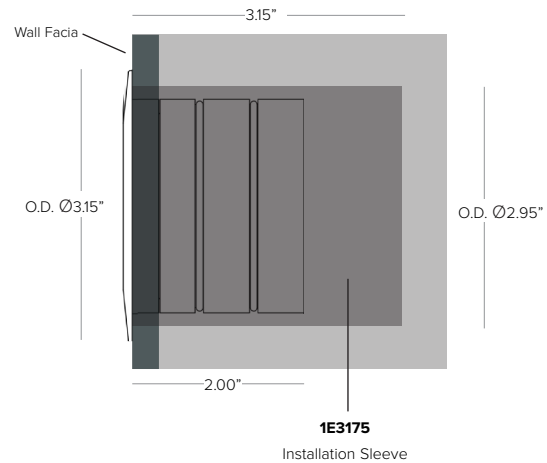


**REQUIRED - CHOOSE ONE**

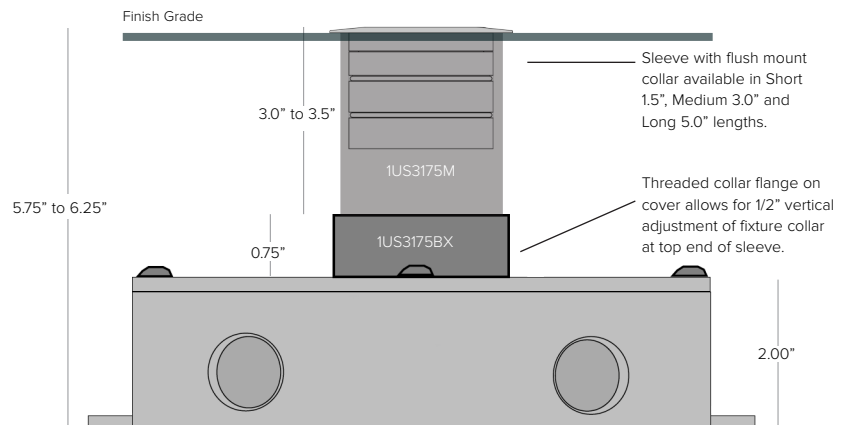
WALL MOUNT INSTALLATION	
<b>1E3175</b>	Installation sleeve flush finish <b>(REQUIRED)</b>

DIRECT BURIAL J-BOX	
<b>1US3175S</b>	1.5" Short J-box installation sleeve with flush mount collar. Tube with threaded bottom end for height adjustment up to 1/2" for precision mounting.
<b>1US3175M</b>	3.0" Medium J-box installation sleeve with flush mount collar. Tube with threaded bottom end for height adjustment up to 1/2" for precision mounting.
<b>1US3175L</b>	5" Long J-box installation sleeve with flush mount collar. Tube with threaded bottom end for height adjustment up to 1/2" for precision mounting.
<b>1US3175BX</b>	4" Round installation J-box. PVC with 5 each 1/2" NPT threaded knockouts and installation sleeve cover. Works with both S and L sleeves. <b>Required for use with tube.</b>

### Surface Wall Mount



### Ingrade Mounting



**Overall Heights**

- 1.5" Short Sleeve = 4.25" to 4.75"
- 3.0" Medium Sleeve = 5.75" to 6.25"
- 5.0" Long Sleeve = 7.75" to 8.75"

**1US3175BX**

4" Round j-box with 5ea 1/2" NPT knockouts.

Power Supply (REQUIRED)	Type	Wattage	Input/Output Voltage	Dimmable	IP Rating	Output	Dimensions
<b>DEL60PWM</b>	ELECTRONIC PWM DRIVER STANDALONE, <b>UL LISTED ENCLOSURE PROVIDED BY OTHERS</b>	60W	120-277V / 24V	0-10V/PWM 10%	IP67	UR CLASS 2	5.9" X 2.09" X 1.38"
<b>DEL90PWM</b>	ELECTRONIC PWM DRIVER STANDALONE, <b>UL LISTED ENCLOSURE PROVIDED BY OTHERS</b>	90W	120-277V / 24V	0-10V/PWM 10%	IP67	UR CLASS 2	6.73" X 2.48" X 1.48"
<b>DEDD10010</b>	ELECTRONIC 0-10V DRIVER STANDALONE, <b>UL LISTED ENCLOSURE PROVIDED BY OTHERS</b>	100W	120-277V / 24V	0-10V DIMMING 0.1%	IP20	UR CLASS 2	6.02" x 1.97" x 0.91"
<b>DELV40124D</b>	ELECTRONIC LOW VOLTAGE TRANSFORMER	40W	120-277V / 24V	PHASE (120V ONLY) /0-10V DIMMING 10%	IP66 / NEMA4 ENCLOSURE	UL CLASS 2	11" x 4" x 2.21" <sup>1</sup>
<b>DELV60124D</b>	ELECTRONIC LOW VOLTAGE TRANSFORMER	60W	120-277V / 24V	PHASE (120V ONLY) /0-10V DIMMING 10%	IP66 / NEMA4 ENCLOSURE	UL CLASS 2	11" x 4" x 2.21" <sup>1</sup>
<b>DELV96124D</b>	ELECTRONIC LOW VOLTAGE TRANSFORMER	96W	120-277V / 24V	PHASE (120V ONLY) /0-10V DIMMING 10%	IP67 / NEMA4 ENCLOSURE	UL CLASS 2	11" x 4" x 2.21" <sup>1</sup>
<b>DELX601241CPWM</b>	ELECTRONIC PWM DRIVER	60W	120-277V / 24V	0-10V/PWM 10%	IP67 / NEMA3R ENCLOSURE	UL CLASS 2	10" x 10" x 4" <sup>1</sup>
<b>DELX901241CPWM</b>	ELECTRONIC PWM DRIVER	90W	120-277V / 24V	0-10V/PWM 10%	IP67 / NEMA3R ENCLOSURE	UL CLASS 2	10" x 10" x 4" <sup>1</sup>
<b>DELX1802242CPWM</b>	ELECTRONIC PWM DRIVER	2X90W	120-277V / 24V	0-10V/PWM 10%	IP67 / NEMA3R ENCLOSURE	UL CLASS 2	12" x 12" x 4" <sup>1</sup>
<b>DELX2703243CPWM</b>	ELECTRONIC PWM DRIVER	3X90W	120-277V / 24V	0-10V/PWM 10%	IP67 / NEMA3R ENCLOSURE	UL CLASS 2	12" x 12" x 4" <sup>1</sup>

<sup>1</sup> Dimensions include enclosure with mounting bracket.

\* Constant voltage drivers 50/60HZ, voltage regulated with short circuit protection. Operating temperature -40 C- 80° C

\* Installation of power supply must be compliant to Class 2 installation standards. Refer to NEC and local building code requirements.

\* Consult factory for additional driver options (ie: DMX, DALI, wattage, size, shape, Lutron, ELDO, or others).

### MAX FIXTURES PER DRIVER

		Fixture Wattage						
		3W	4W	5W	6W	9W	10W	14W
Driver Wattage	40W	10	8	6	5	3	3	2
	60W	16	12	9	8	5	4	3
	96W	25	19	15	12	8	7	5
	90W	24	18	14	12	8	7	5
	2X90W	48	36	28	24	16	14	10
	3X90W	72	54	43	36	24	21	15
	100W	26	20	16	12	8	8	5
	2X100	53	40	32	26	17	16	11

# TARGETTI

## JUPITER

### Photometry

SPOT			POLAR GRAPH	CONE OF LIGHT		
Fixture Power	9W	9W		(Ft)	Max	Med
Fixture Output	964Lm	994Lm			ftcd	ftcd
Kelvin Temp	3000°K	4000°K				
Beam Spread	SP 18°	SP 18°				
I <sub>Max</sub>	4145cd/klm	4145cd/klm				
Efficacy	107 Lm/W	110 Lm/W				
				10.00	50	32
				8.00	79	50
				6.00	140	89
				4.00	314	201
				2.00	1257	805

FLOOD			POLAR GRAPH	CONE OF LIGHT		
Fixture Power	9W	9W		(Ft)	Max	Med
Fixture Output	982Lm	1013Lm			ftcd	ftcd
Kelvin Temp	3000°K	4000°K				
Beam Spread	FL 34°	FL 34°				
I <sub>Max</sub>	1705cd/klm	1705cd/klm				
Efficacy	109 Lm/W	113 Lm/W				
				10.00	21	12
				8.00	32	19
				6.00	57	34
				4.00	129	77
				2.00	517	308

WIDE FLOOD			POLAR GRAPH	CONE OF LIGHT		
Fixture Power	9W	9W		(Ft)	Max	Med
Fixture Output	962Lm	992Lm			ftcd	ftcd
Kelvin Temp	3000°K	4000°K				
Beam Spread	WFL 57°	WFL 57°				
I <sub>Max</sub>	808cd/klm	808cd/klm				
Efficacy	107 Lm/W	110 Lm/W				
				10.00	10	5
				8.00	15	8
				6.00	27	15
				4.00	61	33
				2.00	245	131