

TARGETTI

CORO LARGE

Compact Projector for High Intensity LED

Concept: Professional adjustable indoor LED aiming projector for wall or cornice applications.

Materials: Body, front ring and joints in aluminum powder coated. Black anodized extruded aluminum heat sink. Passive heat sink cooling system.

Mounting: Optical body adjustable +/- 165° horizontally and +/-180° vertically with locking of aiming with single knob for the two free degrees. Predisposed for mounting additional accessories. Articulated arm adjustable +/-180° vertically available in two lengths. Graduated references at the articulated joints.

Optic: MWFL version (39W only) equipped with optic system made up of metallized polycarbonate precision optics, with convex facets and high reflectance with a "Scratch Proof Formula" treatment and SP, FL versions (34W Only) equipped with hybrid optic composed of anodized aluminum reflector and lens system in optical glass. Complete with polycarbonate protection screen.

Installation: Pre-cabled with 15' Belden 18ga 2 Conductor Cable for Connection to remote power supply. To be completed with one of the dedicated installation systems: base for surface mounting or installation channel.

Finish: Florentine White / Plaster White / Deep Black

Driver: Local remote power supply require, see page 2.

Wattage: 34W / 39W

Color Temperature: 3000°K

Lumens: **3000°K**

Spot 13° = 2007Lm

Flood 33° = 1889Lm

Medium Wide Flood 43° = 3261Lm

CRI: Ra97

Voltage: Class 2 see remote driver matrix (page 2)

IP Rating: IP20

Certifications: cULus Listed E479873

Tested in accordance with LM-79-08

^ATitle 24 commercial installation compliant.

Warranty: 5 year limited warranty

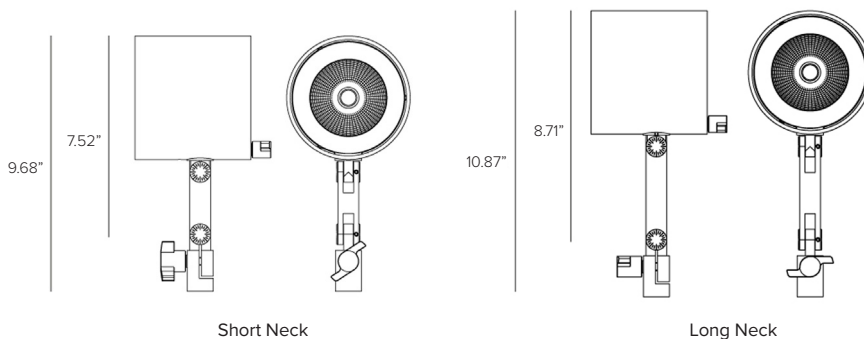


CORO Large with Long Neck Arm
Shown with Florentine White Finish



PRODUCT CODE	ARM	FIXTURE COLOR	OPTICS	WATTAGE	COLOR TEMP	MOUNTING	POWER SUPPLY
COL — CORO Large	SN — Short Neck LN — Long Neck	FW — Florentine White PW — Plaster White DB — Deep Black	SP — Spot 13° FL — Flood 33° MF — Medium Wide Flood 43°	34 — 34W 39 — 39W	30 — 3000K	See page 2	See page 2

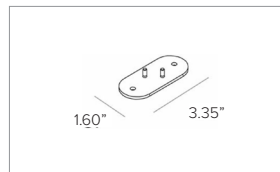
Views



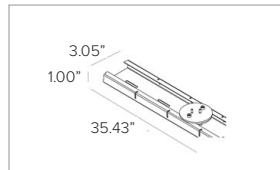
TARGETTI

CORO LARGE

MOUNTING REQUIRED (PICK ONE)	
1T4606	Surface mounting base in Florentine White finish.
1T4606PW	Surface mounting base in Plaster White finish.
1T4607DB	Surface mounting base in Deep Black finish.
1T4628	Surface mounting channel in Florentine White finish. The channel can be cut to length at intervals of 3.9". With three mounting bases.
1T4628PW	Surface mounting channel in Plaster White finish. The channel can be cut to length at intervals of 3.9". With three mounting bases.
1T4629DB	Surface mounting channel in Deep Black finish. The channel can be cut to length at intervals of 3.9". With three mounting bases.



Surface Mounting Base



Surface Mounting Channel



Power Supply (REQUIRED)	Type	Max Fixture Per Driver	Output	Input/Output Voltage	Dimmability	Listing	Dimensions
PS021¹	EldoLED SOLOdrive Class 2 Power Supply, side feed only; CA Title24 start-up performance <i>(Listed Enclosure Provided by Others)</i>	1 34W Fixture	50W 900mA	Universal 120-277VAC	0-10V Dimmable to 0%	cULus Class 2	5.12" x 2.99" x 1.18"
PS024¹	EldoLED SOLOdrive Class 2 Power Supply, side feed only <i>(Listed Enclosure Provided by Others)</i>	3 34W Fixtures	100W 900mA	Universal 120-277VAC	0-10V Dimmable to 0%	cULus Class 2	9.06" x 3.15 x 1.18"
PS023¹	EldoLED SOLOdrive Class 2 Power Supply, side feed only; CA Title24 start-up performance <i>(Listed Enclosure Provided by Others)</i>	1 39W Fixture	50W 1050mA	Universal 120-277VAC	0-10V Dimmable to 0%	cULus Class 2	5.12" x 2.99" x 1.18"
PS022¹	EldoLED SOLOdrive Class 2 Power Supply, side feed only; CA Title24 start-up performance <i>(Listed Enclosure Provided by Others)</i>	2 39W Fixtures	100W 1050mA	Universal 120-277VAC	0-10V Dimmable to 0%	cULus Class 2	9.06" x 3.15 x 1.18"

Consult factory for additional driver options.

¹Installation of power supply must be compliant to Class 2 installation standards. Refer to NEC and local building code requirements.

* Consult factory for additional driver options (ie: DMX, DALI, wattage, size, shape, Lutron, ELDO, or others).

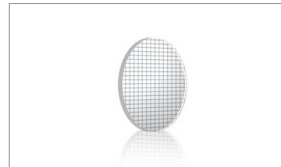
OPTICAL ACCESSORIES	
Maximum of one optical accessory per fixture	
1T3424	Chromatic filter Red. Glass made, with dichroic treatment. Diameter 3.15".
1T3425	Chromatic filter Green. Glass made, with dichroic treatment. Diameter 3.15".
1T3426	Chromatic filter Blue. Glass made, with dichroic treatment. Diameter 3.15".
1T3427	Chromatic filter Yellow. Glass made, with dichroic treatment. Diameter 3.15".
1T3428	Chromatic filter Magenta. Glass made, with dichroic treatment. Diameter 3.15".
1T3431	Chromatic filter Gold tone. Interference glass filter to vary the colour temperature of light. Diameter 3.15".
1T3429	Chromatic filter Cold tone. Interference glass filter to vary the colour temperature of light. Diameter 3.15".
1T3430	Chromatic filter Peach tone. Interference glass filter to vary the colour temperature of light. Diameter 3.15".
1T3140	Diffusive filter. Microprismatic refractive flat glass filter. This softens the luminous effect. Diameter 3.15".
1T3141	Blade light filter. Grooved refractive glass filter. This makes the beam take on an oval shape and when combined with narrow beams, the light blade appears more prominent. Diameter 3.15".
1T3423	Anti-glare grid. Black lacquered metal honeycomb grid. Diameter 3.15".
1T3143	Asymmetric screen in anodized diffusive aluminum, black painted outside. Complete with blade light filter. Ideal for a wall washer effect. To be combined with spot and flood optics. Diameter 3.15".
1T3142	Cut-off Tube. Allows for the beam to be focused while removing the fall-off component. Diameter 3.15".
1T3432	Zoom. Optical system consists of flat convex lens in optical glass, specular reflector in anodized aluminium and diffusive holographic filter. To be used after removing the existing optic. It allows to obtain a variable beam from 15° to 60°. Diameter 3.15".



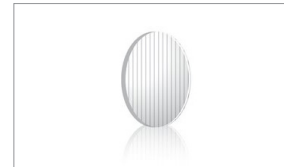
Chromatic Filters



Tonal Filters



1T3140



1T3141



1T3423



1T3143



1T3142



1T3432

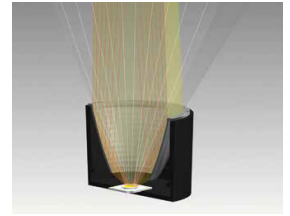
OPTICAL SYSTEM

The optical system is the heart of every lighting fixture and its role is to adapt to the lamp, control emission and create the light beam. Every optical system is different, calibrated by a specific lamp to maximise performance and designed to interpret a lighting task to the full. Following rapid developments in LED lamps and new technology associated with them it is now more important than ever to look for new solutions, geometry and materials. Given the importance and specificity of this function Targetti has an internal design department dedicated to constantly creating and evolving its optical systems. Extremely innovative proprietary systems that are very different to each other, often protected by patents are developed with careful attention to the precision of the light beams and the best efficiency possible.

Reflector Optics:

FACETED

Maximum Efficiency of soft light. Made from high vacuum metallised plastic protected with a Scratch Proof Formula or from polished anodised pure aluminium, their high reflectance always ensures high optical efficiency. Profiles designed with the best simulation software and the ellipsoidal convex facets overlaid on them are calibrated to generate various beam angles with an optimal light mix to create precise, soft, clean beams.



HYBRID

Performance and control. Based on the combined use of reflectors and lenses to combine the advantages of two light control methods. High efficiency and clean beams for well collimated beams that are completely free from fall-off halos, which is a normal effect of light that is not controlled in optics with a simple reflector. Inside a classic faceted reflector a frame is inserted which positions one or more optical glass lens in front of the lamp: while the reflector controls the periphery of the beam, the lenses manage its central part separately, the part that normally escapes out of control. Cancelling "spurious" light is combined with flux recovery and an increase in intensity inside the beam.



TARGETTI

CORO LARGE

Photometry

<p>TS918 I_{max}=9200cd/klm</p>	3000K Ra97	H(m)	D(m)	E _{max} (lx)	
	Fixture Power	34W		13°	
	Source Flux	3095lm	1	0.23	28474
	Fixture Flux	2007lm	2	0.46	7119
	Efficacy	59lm/W	3	0.69	3164
			4	0.92	1780
	I _{max}	28474cd	5	1.14	1139

<p>TS919 I_{max}=2232cd/klm</p>	3000K Ra97	H(m)	D(m)	E _{max} (lx)	
	Fixture Power	34W		33°	
	Source Flux	3095lm	1	0.58	6908
	Fixture Flux	1889lm	2	1.17	1727
	Efficacy	56lm/W	3	1.75	768
			4	2.33	432
	I _{max}	6908cd	5	2.92	276

<p>TS864 I_{max}=1685cd/klm</p>	3000K Ra97	H(m)	D(m)	E _{max} (lx)	
	Fixture Power	39W		43°	
	Source Flux	3752lm	1	0.79	6219
	Fixture Flux	3261lm	2	1.59	1555
	Efficacy	84lm/W	3	2.38	691
			4	3.18	389
	I _{max}	6321cd	5	3.97	249