

TARGETTI

RAY MICRO

Professional LED Track Projector

Concept: Professional adjustable LED track projector.

Housing: Die cast aluminum body in two finishes: Plaster White or Deep Black. Front optic in black polycarbonate.

Source: High efficiency LED Chip on Board.

Optic: Precision optics with convex facets in highly reflective anodized aluminum, available in Spot 14° and Medium Wide Flood 45°.

Mounting: 0-10V dimmable 3+1 circuit Nordic Pulse track. Fixture is adjustable from 0° to +/- 90° on the vertical plane with 359° on the horizontal plane. Mechanical aiming lock in the vertical plane and blocking equipped with a friction system in the horizontal plane. The centre of gravity always remains on axis with the track regardless where it is aimed.

Color Temperature: 3000°K / 4000°K

Driver: Integrated TRIAC (forward-phase or leading-edge) and ELV (reverse-phase or trailing-edge) dimmable 1% driver.

Wattage: 14W

Lumens: 3000°K 4000°K

Spot 14° = 1463Lm 1508Lm

Medium Wide Flood 45° = 1572Lm 1621Lm

Lumen Maintenance (L70): 50,000hrs

Calculation for LED fixtures are based on measurements that comply with IES LM-80.

CRI: 84CRI

Voltage: 120V AC 50/60Hz

IP Rating: IP20

Certifications: cULus Listed E485491

Tested in accordance with LM-79-08

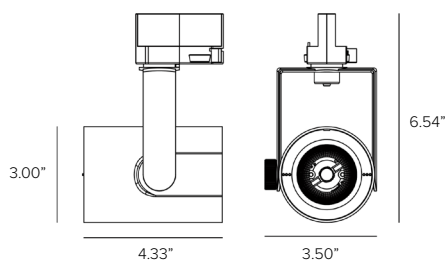
^ATitle 24 commercial installation compliant.

Warranty: 5 year limited warranty



PRODUCT CODE	TYPE	DRIVER	FIXTURE COLOR	WATTAGE	OPTICS	COLOR TEMP
RA — RAY Track Projector	MC — Micro	PD — Phase Dimming	PW — Plaster White	L1 — 14W	SP — Spot 14°	30 — 3000K
			DB — Deep Black		MW — Medium Wide Flood 45°	40 — 4000K

Views



OPTICAL ACCESSORIES	
49881	Chromatic filter Red. Glass made, with dichroic treatment. Diameter 2".
49882	Chromatic filter Green. Glass made, with dichroic treatment. Diameter 2".
49886	Chromatic filter Blue. Glass made, with dichroic treatment. Diameter 2".
49887	Chromatic filter Yellow. Glass made, with dichroic treatment. Diameter 2".
49959	Chromatic filter Magenta. Glass made, with dichroic treatment. Diameter 2".
1T1745	Chromatic filter Cold tone. Interference glass filter to vary the colour temperature of light. Diameter 2".
1T1748	Chromatic filter Gold tone. Interference glass filter to vary the colour temperature of light. Diameter 2".
1T1751	Chromatic filter Peach tone. Interference glass filter to vary the colour temperature of light. Diameter 2".
1T6521	Protective screen. Diameter 2".
1T4325	Asymmetric screen in anodized diffusive aluminum, black painted outside. Complete with blade light filter, ideal for wall washer effect. To be combined with spot and flood optics. Diameter 2".
1T4324	Zoom optical system consists of flat convex lens in optical glass, specular reflector in anodized aluminium and diffusive holographic filter. To be used after removing the existing optic. It allows to obtain a variable beam from 15° to 60°. Diameter 2".
1T4322	Anti-glare grid. Black lacquered metal honeycomb structure. Diameter 2".
1T4721	Parallel ribbed glass light blade filter. This makes the beam take on an oval shape, more evident when combined with spot and flood optics. Diameter 2".



Chromatic Filter



Food Filter



1T4721



1T4322



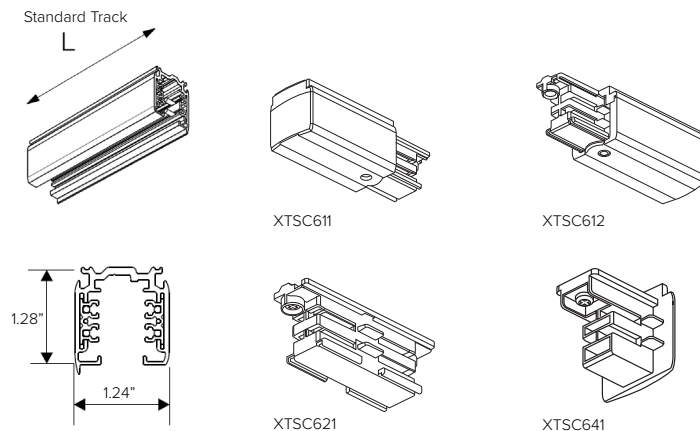
1T4324

120V NON-DIMMABLE & 0-10V DIMMABLE 3+1 CIRCUIT NORDIC PULSE TRACK

TRACK	
XTSC604-1	4ft surface mount track. Aluminum finish.
XTSC604-2	4ft surface mount track. Black finish.
XTSC604-3	4ft surface mount track. White finish.
XTSC608-1	8ft surface mount track. Aluminum finish.
XTSC608-2	8ft surface mount track. Black finish.
XTSC608-3	8ft surface mount track. White finish.

FEEDS AND CONNECTORS	
GES15-2	Outlet Box Cover. Black finish.
GES15-3	Outlet Box Cover. White finish.
XTSC611-1	Track Live End Feed. Aluminum finish.
XTSC611-2	Track Live End Feed. Black finish.
XTSC611-3	Track Live End Feed. White finish.
XTSC612-1	Track Reverse End Feed. Aluminum finish.
XTSC612-2	Track Reverse End Feed. Black finish.
XTSC612-3	Track Reverse End Feed. White finish.
XTSC614-1	Track Live Center Feed. Aluminum finish.
XTSC614-2	Track Live Center Feed. Black finish.
XTSC614-3	Track Live Center Feed. White finish.
XTSC621-1	Track Linear straight coupler. Aluminum finish.
XTSC621-2	Track Linear straight coupler. Black finish.
XTSC621-3	Track Linear straight coupler. White finish.
XTS41-1	Track Dead End. Aluminum finish.
XTS41-2	Track Dead End. Black finish.
XTS41-3	Track Dead End. White finish.
XTSV12	Track Bending Tool

MOUNTING AND SUSPENSION	
SKB12-1	Track 2 piece Ceiling Clamp. Grey finish.
SKB12-2	Track 2 piece Ceiling Clamp. Black finish.
SKB12-3	Track 2 piece Ceiling Clamp. White finish.
SKBT12-1	T-Bar Ceiling clamp. Grey finish.
SKBT12-2	T-Bar Ceiling clamp. Black finish.
SKBT12-3	T-Bar Ceiling clamp. White finish.
SKBX12-1	Recessed T-bar ceiling clamp. Grey finish.
SKBX12-2	Recessed T-bar ceiling clamp. Black finish.
SKBX12-3	Recessed T-bar ceiling clamp. White finish.
SKB30-1	Track Ceiling Cup. Grey finish.
SKB30-2	Track Ceiling Cup. Black finish.
SKB30-3	Track Ceiling Cup. White finish.
SKB31	Threaded rod, 1/4", 6-feet
SKB34/5m	Suspension wire, 15-feet
SPUS12-1	Stem & canopy kit, 3/8", 12-inch. Grey finish.
SPUS12-2	Stem & canopy kit, 3/8", 12-inch. Black finish.
SPUS12-3	Stem & canopy kit, 3/8", 12-inch. White finish.
SPUS18-1	Stem & canopy kit, 3/8", 18-inch. Grey finish.
SPUS18-2	Stem & canopy kit, 3/8", 18-inch. Black finish.
SPUS18-3	Stem & canopy kit, 3/8", 18-inch. White finish.
SPUS24-1	Stem & canopy kit, 3/8", 24-inch. Grey finish.
SPUS24-2	Stem & canopy kit, 3/8", 24-inch. Black finish.
SPUS24-3	Stem & canopy kit, 3/8", 24-inch. White finish.
SPUS48-1	Stem & canopy kit, 3/8", 48-inch. Grey finish.
SPUS48-2	Stem & canopy kit, 3/8", 48-inch. Black finish.
SPUS48-3	Stem & canopy kit, 3/8", 48-inch. White finish.



TARGETTI

RAY MICRO

Photometry

SPOT		POLAR GRAPH		CONE OF LIGHT	
Fixture Power	14W				
Fixture Output	1463Lm 1508Lm			(Ft)	Max Med
Kelvin Temp	3000°K 4000°K			2.00	ftcd ftcd
Beam Spread	SP 14° SP 14°			4.00	2384 1558
I _{Max}	5017cd/klm 5017d/klm			6.00	596 390
Efficacy	105 Lm/W 108 Lm/W			8.00	265 173
				10.00	149 97
					95 62

MEDIUM WIDE FLOOD		POLAR GRAPH		CONE OF LIGHT	
Fixture Power	14W				
Fixture Output	1572Lm 1621Lm			(Ft)	Max Med
Kelvin Temp	3000°K 4000°K			2.00	ftcd ftcd
Beam Spread	MWFL 45° MWFL 45°			4.00	660 396
I _{Max}	1372cd/klm 1372cd/klm			6.00	165 99
Efficacy	112 Lm/W 116 Lm/W			8.00	73 44
				10.00	41 25
					26 18