

TARGETTI

KEPLERO MINI GIMBAL Performance Precision Optic Professional Inground LED Fixture

Concept: 4 LED projector incorporating maximum precision and control for specific aimed illumination of objects.

Housing: 8" tall x 6.625" diameter die-cast aluminum housing.

Materials: Anodized and powder coated black die-cast aluminum heat sink body. PVC installation sleeve and stainless steel (AISI316L) trim ring with extra clear glass.

Trim: Ultra flat round or square decorative rings, with beveled edge in brushed, natural or bronze finishes. Features tamper-proof Torx screws.

Optic: 4 LED gimbal optical system with two different beam spreads; Narrow Spot 11° and Flood 31°. Adjustability: 20° tilt on the vertical axis and rotates 350° on the horizontal plane with integrated locking system. with integrated locking system.

Mounting: Flush and semi-flush installation sleeves or optional raised installation tube for landscape. Fixture includes screw down holes and stainless steel screws for attachment to installation sleeve. Includes optional stainless steel L brackets for support mounting, installation sleeve (required) for flush or semi-flush mounting.

Driver: Integrated universal voltage IP68 electronic driver complete with watertight IP68 connector cable (0-10V dimming on request).

Installation: Fixture flush mount installation includes 8" tall x 6.625" diameter sleeve, extension pipe for wire slack and accessibility. Pre-cabled with 6ft IP68 connector cable, direct burial brass ingrade jbox (required, sold separately).

Wattage: 11W

Color Temperature: 3000°K / 4000°K

CRI: 84 CRI

Lumen Maintenance (L70): 50,000hrs

Calculation for LED fixtures are based on measurements that comply with IES LM-80.

Voltage: Universal Voltage 120-277V AC 50/60Hz

IK Rating: IK10

IP Rating: IP68*

Load Rating: Resistant to static loads up to 20KN in flush mounted cement and pavement installations.

Certifications: cULus Wet Listed E477426
Tested in accordance with LM-79-08

Warranty: 5 year limited warranty

* Up to 1 METER DEPTH of water for up to a maximum of 30 MINUTES

** Not suitable for submersible installations



KEPLERO® MINI GIMBAL with Clear Lens



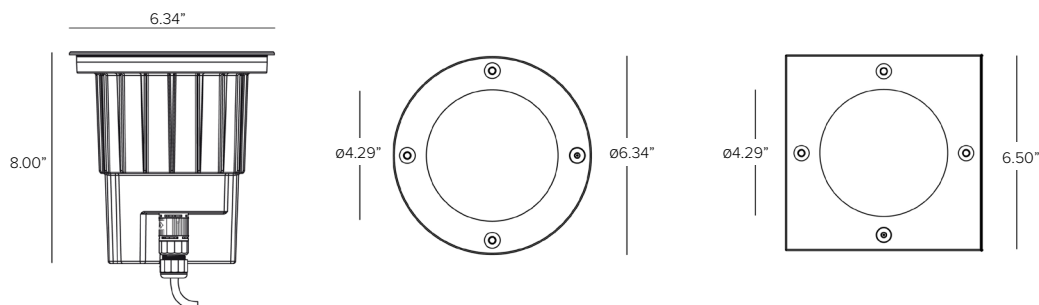
Lumens:	3000°K	4000°K
Spot 11° =	613Lm	649Lm
Flood 31° =	572Lm	607Lm

PRODUCT CODE	DRIVER	TYPE	OPTICS	WATTAGE	COLOR TEMP	+	TRIM & INSTALLATION
KPLM - KEPLERO Mini	ND - Non-dimming driver 10 - 0-10V Dimming	GMB - Gimbal	SP - Spot 11° FL - Flood 31°	L1 - 11W	30 - 3000K 40 - 4000K		Required (See Pg 2)

QUICK SHIP KPLMNDGMBSP130 + 1E2525 + 1DU2521 + 1DU2530**

** Lead time for quick ship fixtures is 1-2 weeks from processed PO date. Consult factory for quantities of over 20 fixtures to confirm lead time.

Views



TARGETTI

KEPLERO MINI GIMBAL

TRIM RING (REQUIRED) - CHOOSE 1	
1E2525	Round brushed stainless steel (AISI316L) decorative ring. 10mm thick extra clear protective glass. Silicone gasket. Tamper proof (AISI316L) Torx screws.
1DU2525B	Round brushed bronze stainless steel (AISI316L) decorative ring. 10mm thick extra clear protective glass. Silicone gasket. Tamper proof (AISI316L) Torx screws.
1E2526	Square brushed stainless steel (AISI316L) decorative ring. 10mm thick extra clear protective glass. Silicone gasket. Tamper proof (AISI316L) Torx screws.
1DU2526B	Square brushed bronze stainless steel (AISI316L) decorative ring. 10mm thick extra clear protective glass. Silicone gasket. Tamper proof (AISI316L) Torx screws.

INSTALLATION SLEEVE (REQUIRED) - CHOOSE 1	
1DU2521	Installation sleeve. Grey Nylon 8" casing with 10" PVC installation outer pipe. Round ring for flush or semi-flush installation.
1DU2522	Installation sleeve. Grey Nylon 8" casing and stainless steel profile with 10" PVC installation outer pipe. Square ring for flush installation only.
1DU4344	Raised installation sleeve 36" High Black Stainless steel, includes 8" inner sleeve. (Field cuttable to 24" above ground). Not suitable with 1DU2521.

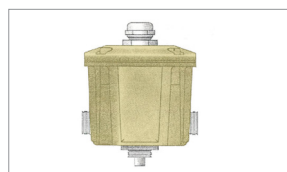
INSTALLATION ACCESSORIES:	
1DU2530	Direct burial brass ingrade jbox with 6ft IP68 connector cable. (REQUIRED)
1E2495	Anti-vandal torx head. Suggested one per 5 fixture.
1E2524	Fixture metal maintenance removal handle. Helpful one per 10 fixtures.
1E0388	Glass suction removal tool. Helpful one per 20 fixtures.



1DU2521



1DU2522



1DU2530



1E2495



1E2524



1E0388

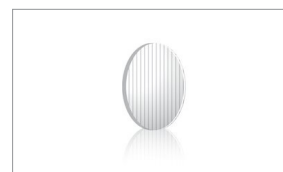
OPTICAL ACCESSORIES:	
Maximum of one optical filter or louver accessory per fixture.	
1T1712	Chromatic filter Red. Glass made, with dichroic treatment. Diameter 2.8".
1T1713	Chromatic filter Green. Glass made, with dichroic treatment. Diameter 2.8".
1T1714	Chromatic filter Blue. Glass made, with dichroic treatment. Diameter 2.8".
1T1715	Chromatic filter Yellow. Glass made, with dichroic treatment. Diameter 2.8".
1T1716	Chromatic filter Magenta. Glass made, with dichroic treatment. Diameter 2.8".
1T1777	Chromatic filter Cold tone. Interference glass filter to vary the colour temperature of light. Diameter 2.8".
1T1786	Chromatic filter Gold tone. Interference glass filter to vary the colour temperature of light. Diameter 2.8".
1T1759	Chromatic filter Peach tone. Interference glass filter to vary the colour temperature of light. Diameter 2.8".
1T1708	Parallel ribbed glass light blade filter. This makes the beam take on an oval shape and when combined with spotlights, the light blade appears more prominent. Diameter 2.8".
1T1711	Anti-glare grid. Black lacquered metal honeycomb structure. Diameter 2.8".
1E2523	Half Moon Anti glare shutter. Black finish.



Chromatic Filters



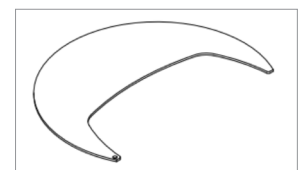
Tonal Filters



1T1708

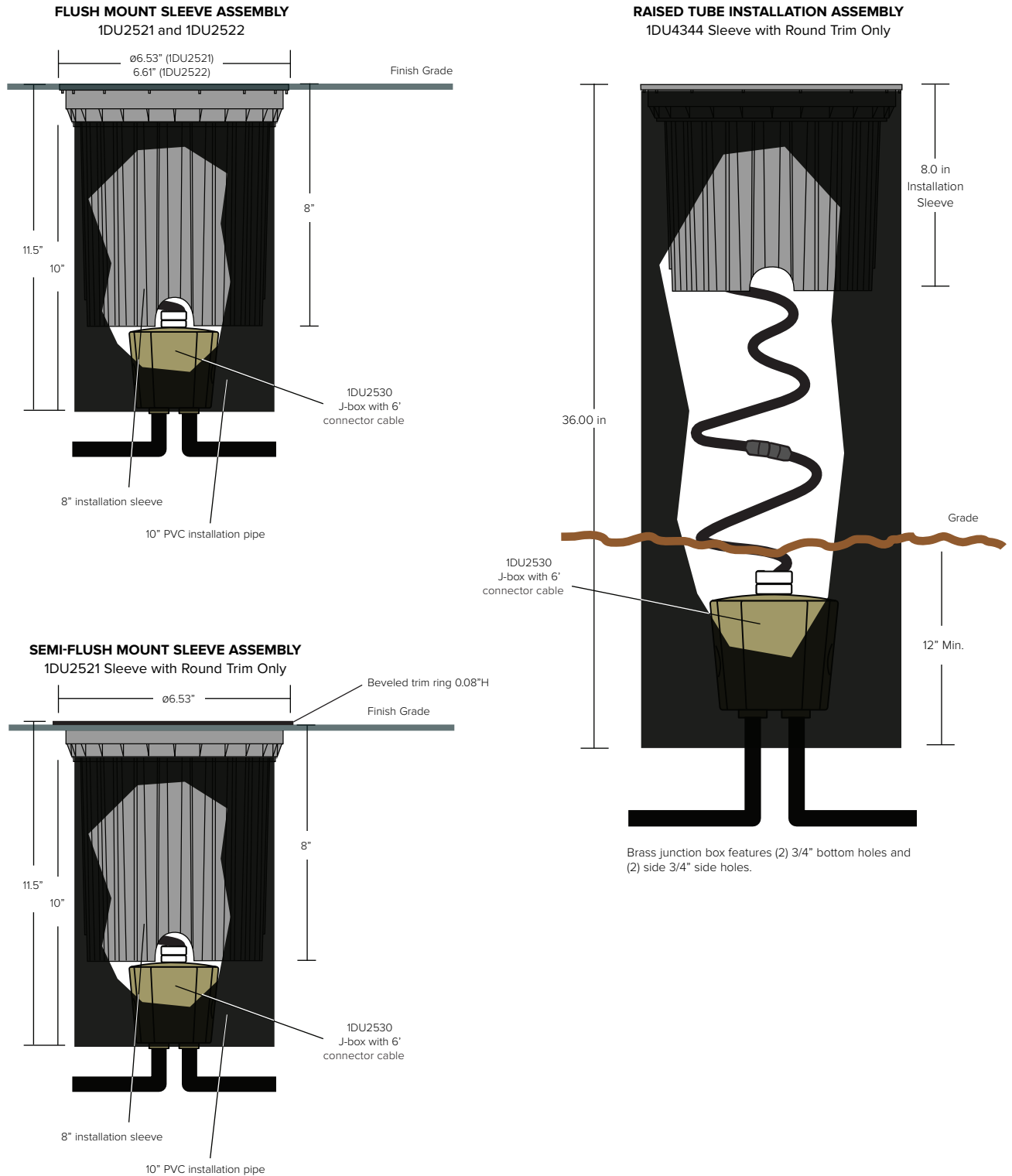


1T1711



1E2523

Installation Diagram



TARGETTI

KEPLERO MINI GIMBAL

Photometrics

NARROW SPOT		POLAR GRAPH	CONE OF LIGHT	
Fixture Power	11W		(Ft)	Max Med
Fixture Output	613Lm 649Lm			ftcd ftcd
Kelvin Temp	3000°K 4000°K		25.00	18 12
Beam Spread	SP 11° SP 11°		20.00	29 18
I _{Max}	14844cd/klm 14844cd/klm		15.00	51 33
Efficacy	56 Lm/W 59 Lm/W		10.00	114 73
		5.00	456 293	

FLOOD		POLAR GRAPH	CONE OF LIGHT	
Fixture Power	11W		(Ft)	Max Med
Fixture Output	572Lm 607Lm			ftcd ftcd
Kelvin Temp	3000°K 4000°K		20.00	5 3
Beam Spread	FL 31° FL 31°		16.00	8 5
I _{Max}	2748cd/klm 2748cd/klm		12.00	15 9
Efficacy	52 Lm/W 55 Lm/W		8.00	33 20
		4.00	132 80	