

# TARGETTI

## JUPITER MINI

### Professional Inground LED Fixture

**Concept:** Mini recessed ingrade LED fixture.

**Materials:** Anodized polished aluminum body with Passive cooling system.

**Trim:** Stainless steel (AISI316L) polished stainless steel front ring with bevelled extraclear front glass.

**Optic:** Precision optic system with PMMA lenses for the spot, flood and wide flood versions with a light cut system integrated into the front glass.

**Mounting:** Semi flush mount bevelled trim, installation sleeve (required).

**Power Supply:** Remote Class II 120V-277VAC power supply required, see page 2 for options.

**Installation:** Fixture surface mount installation includes 2.36" tall x 1.73" diameter sleeve. Pre-cabled with 2ft direct burial 18ga 2 Conductor Cable for Connection to remote power supply.

**Wattage:** 4W

**Color Temperature:** 3000°K / 4000°K

**CRI:** 84

**Lumens:**                      **3000°K**   **4000°K**

Spot 17° = 298Lm   319Lm

Flood 30° = 291Lm   311Lm

Wide Flood 60° = 303Lm   324Lm

**Lumen Maintenance (L70):** 50,000hrs

*Calculation for LED fixtures are based on measurements that comply with IES LM-80.*

**Voltage:** 24VDC

**IP:** IP67 rated

**Load Rating:** Resistant to static loads up to 20KN in flush mounted cement and pavement installations.

**Certifications:** cULus Class II Wet Location Listed E479873

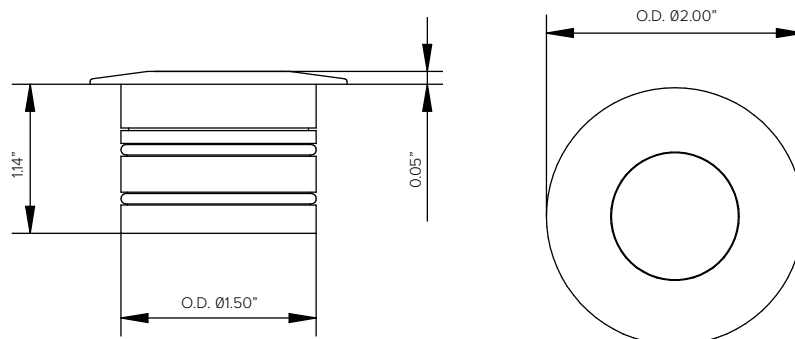
Tested in accordance with LM-79-08

**Warranty:** 5 year limited warranty



PRODUCT CODE	DRIVER	LENS	WATTAGE	COLOR TEMP	VOLTAGE	+	INSTALLATION
JPM – JUPITER Mini	RP – Remote Driver	SP – Spot 17° FL – Flood 30° WF – Wide Flood 60°	L1 – 4W	30 – 3000K 40 – 4000K	24 – 24VDC		Required (See Pg 2)

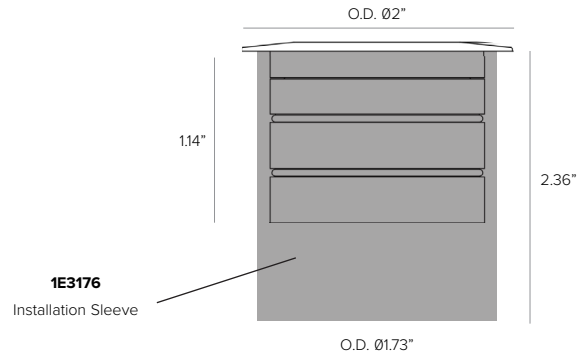
### Views



# TARGETTI

## JUPITER MINI

INSTALLATION (REQUIRED)	
<b>1E3176</b>	Installation sleeve flush finish (REQUIRED)



Power Supply (REQUIRED)	Type	Wattage	Input/Output Voltage	Dimmable	IP Rating	Output	Dimensions
<b>DEL60PWM</b>	ELECTRONIC PWM DRIVER STANDALONE, <b>UL LISTED ENCLOSURE PROVIDED BY OTHERS</b>	60W	120-277V / 24V	0-10V/PWM 10%	IP67	UR CLASS 2	5.9" X 2.09" X 1.38"
<b>DEL90PWM</b>	ELECTRONIC PWM DRIVER STANDALONE, <b>UL LISTED ENCLOSURE PROVIDED BY OTHERS</b>	90W	120-277V / 24V	0-10V/PWM 10%	IP67	UR CLASS 2	6.73" X 2.48" X 1.48"
<b>DEDDxxx</b> consult factory	ELECTRONIC 0-10V DRIVER STANDALONE, <b>UL LISTED ENCLOSURE PROVIDED BY OTHERS</b>	consult factory	120-277V / 24V	0-10V DIMMING 0.1%	N/A	UR CLASS 2	consult factory
<b>DELV40124D</b>	ELECTRONIC LOW VOLTAGE TRANSFORMER	40W	120-277V / 24V	PHASE (120V ONLY) /0-10V DIMMING 10%	IP66 / NEMA4 ENCLOSURE	UL CLASS 2	11" x 4" x 2.21" <sup>1</sup>
<b>DELV60124D</b>	ELECTRONIC LOW VOLTAGE TRANSFORMER	60W	120-277V / 24V	PHASE (120V ONLY) /0-10V DIMMING 10%	IP66 / NEMA4 ENCLOSURE	UL CLASS 2	11" x 4" x 2.21" <sup>1</sup>
<b>DELV96124D</b>	ELECTRONIC LOW VOLTAGE TRANSFORMER	96W	120-277V / 24V	PHASE (120V ONLY) /0-10V DIMMING 10%	IP67 / NEMA4 ENCLOSURE	UL CLASS 2	11" x 4" x 2.21" <sup>1</sup>
<b>DELX601241CPWM</b>	ELECTRONIC PWM DRIVER	60W	120-277V / 24V	0-10V/PWM 10%	IP67 / NEMA3R ENCLOSURE	UL CLASS 2	10" x 10" x 4" <sup>1</sup>
<b>DELX901241CPWM</b>	ELECTRONIC PWM DRIVER	90W	120-277V / 24V	0-10V/PWM 10%	IP67 / NEMA3R ENCLOSURE	UL CLASS 2	10" x 10" x 4" <sup>1</sup>
<b>DELX1802242CPWM</b>	ELECTRONIC PWM DRIVER	2X90W	120-277V / 24V	0-10V/PWM 10%	IP67 / NEMA3R ENCLOSURE	UL CLASS 2	12" x 12" x 4" <sup>1</sup>
<b>DELX2703243CPWM</b>	ELECTRONIC PWM DRIVER	3X90W	120-277V / 24V	0-10V/PWM 10%	IP67 / NEMA3R ENCLOSURE	UL CLASS 2	12" x 12" x 4" <sup>1</sup>

<sup>1</sup> Dimensions include enclosure with mounting bracket.

\* Constant voltage drivers 50/60HZ, voltage regulated with short circuit protection. Operating temperature -40 C- 80° C

\* Installation of power supply must be compliant to Class 2 installation standards. Refer to NEC and local building code requirements.

\* Consult factory for additional driver options (ie: DMX, DALI, wattage, size, shape, Lutron, ELDO, or others).

# TARGETTI

## JUPITER MINI

### Photometrics

SPOT			POLAR GRAPH	CONE OF LIGHT		
Fixture Power	4W	4W				
Fixture Output	298Lm	319Lm			(Ft)	Max Med
Kelvin Temp	3000°K	4000°K			10.00	ftcd ftcd
Beam Spread	SP 17°	SP 17°			8.00	20 13
I <sub>Max</sub>	5771cd/klm	5771cd/klm			6.00	32 20
Efficacy	75 Lm/W	80 Lm/W			4.00	57 36
			2.00	127 80		
				509 322		

FLOOD			POLAR GRAPH	CONE OF LIGHT		
Fixture Power	4W	4W				
Fixture Output	291Lm	311Lm			(Ft)	Max Med
Kelvin Temp	3000°K	4000°K			10.00	ftcd ftcd
Beam Spread	FL 30°	FL 30°			8.00	11 7
I <sub>Max</sub>	3009cd/klm	3009cd/klm			6.00	17 11
Efficacy	73 Lm/W	78 Lm/W			4.00	30 19
			2.00	66 42		
				256 169		

WIDE FLOOD			POLAR GRAPH	CONE OF LIGHT		
Fixture Power	4W	4W				
Fixture Output	303Lm	324Lm			(Ft)	Max Med
Kelvin Temp	3000°K	4000°K			10.00	ftcd ftcd
Beam Spread	WFL 60°	WFL 60°			8.00	4 2
I <sub>Max</sub>	1040cd/klm	1040cd/klm			6.00	6 3
Efficacy	76 Lm/W	81 Lm/W			4.00	10 6
			2.00	23 13		
				92 50		