

TARGETTI

JUPITER

Professional Inground LED Fixture

Concept: Recessed ingrade LED fixture.

Materials: Anodized polished aluminum body with Passive cooling system.

Trim: Stainless steel (AISI316L) polished stainless steel front ring with bevelled extraclear front glass.

Optic: Precision optic system with PMMA lenses for the spot, flood and wide flood versions with a light cut system integrated into the front glass.

Mounting: Semi flush mount bevelled trim, installation sleeve (required).

Power Supply: Remote Class II 120V-277VAC power supply required, see page 2 for options.

Installation: Fixture semi flush mount installation includes 3.15" tall x 2.95" diameter sleeve. Pre-cabled with 2ft direct burial 18ga 2 Conductor Cable for Connection to remote power supply.

Wattage: 10W

Color Temperature: 3000°K / 4000°K

CRI: 84 CRI

Lumens: **3000°K** **4000°K**

Spot 18° = 964Lm 994Lm

Flood 34° = 982Lm 1013Lm

Medium Wide Flood 57° = 962Lm 992Lm

Lumen Maintenance (L70): 50,000hrs

Calculation for LED fixtures are based on measurements that comply with IES LM-80.

Voltage: 24VDC

IP: IP67 rated

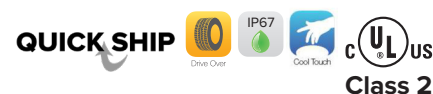
Load Rating: Resistant to static loads up to 20KN in flush mounted cement and pavement installations.

Certifications: cULus Class II Wet Location Listed E479873

Tested in accordance with LM-79-08

Warranty: 5 year limited warranty

* Up to 1 METER DEPTH of water for up to a maximum of 30 MINUTES

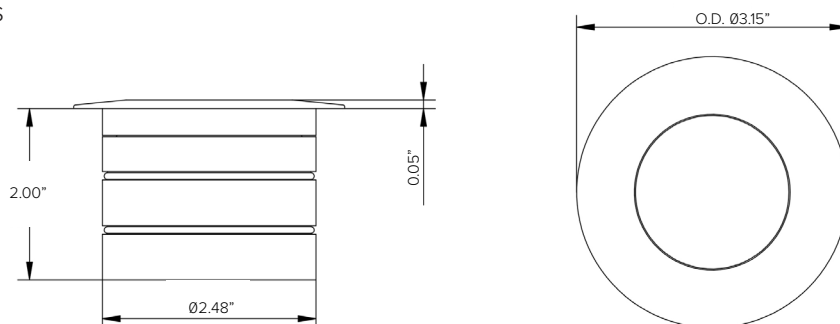


PRODUCT CODE	DRIVER	LENS	WATTAGE	COLOR TEMP	VOLTAGE	+	INSTALLATION
JUP – JUPITER	RP – Remote Driver	SP – Spot 18°	L1 – 10W	30 – 3000K	24 – 24VDC		Required (See Pg 2)
		FL – Flood 34°		40 – 4000K			
		WF – Wide Flood 57°					

QUICK SHIP JUPRPFL13024 + 1E3175 + DELV96124D

* Lead time for quick ship fixtures is 1-2 weeks from processed PO date. Consult factory for quantities of over 20 fixtures to confirm lead time.

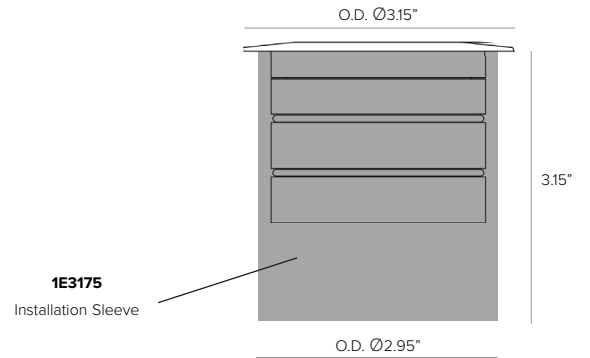
Views



TARGETTI

JUPITER

INSTALLATION (REQUIRED)	
1E3175	Installation sleeve flush finish (REQUIRED)



Power Supply (REQUIRED)	Type	Wattage	Input/Output Voltage	Dimmable	IP Rating	Output	Dimensions
DEL60PWM	ELECTRONIC PWM DRIVER STANDALONE, UL LISTED ENCLOSURE PROVIDED BY OTHERS	60W	120-277V / 24V	0-10V/PWM 10%	IP67	UR CLASS 2	5.9" X 2.09" X 1.38"
DEL90PWM	ELECTRONIC PWM DRIVER STANDALONE, UL LISTED ENCLOSURE PROVIDED BY OTHERS	90W	120-277V / 24V	0-10V/PWM 10%	IP67	UR CLASS 2	6.73" X 2.48" X 1.48"
DEDDxxx consult factory	ELECTRONIC 0-10V DRIVER STANDALONE, UL LISTED ENCLOSURE PROVIDED BY OTHERS	consult factory	120-277V / 24V	0-10V DIMMING 0.1%	N/A	UR CLASS 2	consult factory
DELV40124D	ELECTRONIC LOW VOLTAGE TRANSFORMER	40W	120-277V / 24V	PHASE (120V ONLY) /0-10V DIMMING 10%	IP66 / NEMA4 ENCLOSURE	UL CLASS 2	11" x 4" x 2.21" ¹
DELV60124D	ELECTRONIC LOW VOLTAGE TRANSFORMER	60W	120-277V / 24V	PHASE (120V ONLY) /0-10V DIMMING 10%	IP66 / NEMA4 ENCLOSURE	UL CLASS 2	11" x 4" x 2.21" ¹
DELV96124D	ELECTRONIC LOW VOLTAGE TRANSFORMER	96W	120-277V / 24V	PHASE (120V ONLY) /0-10V DIMMING 10%	IP67 / NEMA4 ENCLOSURE	UL CLASS 2	11" x 4" x 2.21" ¹
DELX601241CPWM	ELECTRONIC PWM DRIVER	60W	120-277V / 24V	0-10V/PWM 10%	IP67 / NEMA3R ENCLOSURE	UL CLASS 2	10" x 10" x 4" ¹
DELX901241CPWM	ELECTRONIC PWM DRIVER	90W	120-277V / 24V	0-10V/PWM 10%	IP67 / NEMA3R ENCLOSURE	UL CLASS 2	10" x 10" x 4" ¹
DELX1802242CPWM	ELECTRONIC PWM DRIVER	2X90W	120-277V / 24V	0-10V/PWM 10%	IP67 / NEMA3R ENCLOSURE	UL CLASS 2	12" x 12" x 4" ¹
DELX2703243CPWM	ELECTRONIC PWM DRIVER	3X90W	120-277V / 24V	0-10V/PWM 10%	IP67 / NEMA3R ENCLOSURE	UL CLASS 2	12" x 12" x 4" ¹

¹ Dimensions include enclosure with mounting bracket.

* Constant voltage drivers 50/60HZ, voltage regulated with short circuit protection. Operating temperature -40 C- 80° C

* Installation of power supply must be compliant to Class 2 installation standards. Refer to NEC and local building code requirements.

* Consult factory for additional driver options (ie: DMX, DALI, wattage, size, shape, Lutron, ELDO, or others).

MAX FIXTURES PER DRIVER

		Fixture Wattage						
		3W	4W	5W	6W	9W	10W	14W
Driver Wattage	40W	10	8	6	5	3	3	2
	60W	16	12	9	8	5	4	3
	96W	25	19	15	12	8	7	5
	90W	24	18	14	12	8	7	5
	2X90W	48	36	28	24	16	14	10
	3X90W	72	54	43	36	24	21	15
	100W	26	20	16	12	8	8	5
	2X100	53	40	32	26	17	16	11

TARGETTI

JUPITER

Photometrics

SPOT			POLAR GRAPH	CONE OF LIGHT			
Fixture Power	10W	10W		(Ft)		Max	Med
Fixture Output	964Lm	994Lm				ftcd	ftcd
Kelvin Temp	3000°K	4000°K		10.00		50	32
Beam Spread	SP 18°	SP 18°		8.00		79	50
I _{Max}	4145cd/klm	4145cd/klm		6.00		140	89
Efficacy	96 Lm/W	99 Lm/W	4.00		314	201	
			2.00		1257	805	

FLOOD			POLAR GRAPH	CONE OF LIGHT			
Fixture Power	10W	10W		(Ft)		Max	Med
Fixture Output	982Lm	1013Lm				ftcd	ftcd
Kelvin Temp	3000°K	4000°K		10.00		21	12
Beam Spread	FL 34°	FL 34°		8.00		32	19
I _{Max}	1705cd/klm	1705cd/klm		6.00		57	34
Efficacy	98 Lm/W	101 Lm/W	4.00		129	77	
			2.00		517	308	

WIDE FLOOD			POLAR GRAPH	CONE OF LIGHT			
Fixture Power	10W	10W		(Ft)		Max	Med
Fixture Output	962Lm	992Lm				ftcd	ftcd
Kelvin Temp	3000°K	4000°K		10.00		10	5
Beam Spread	WFL 57°	WFL 57°		8.00		15	8
I _{Max}	808cd/klm	808cd/klm		6.00		27	15
Efficacy	96 Lm/W	99 Lm/W	4.00		61	33	
			2.00		245	131	