

MINI MERCURE RGB

Inground linear LED luminaire

Concept: Inground linear luminaire for RGB multi-chip full color LEDs.

Housing: Black anodised die-cast aluminium body.

Materials: Antislip flush tempered safety glass, white silk-screen printed sealed to the fixture body.

Source: Strip LEDs.

Mounting: Suitable for inline installation configuration. To be installed with aluminium insertion box for horizontal mounting, to be ordered separately.

Installation: Pre-cabled with 10' Belden direct burial 18ga 2 Conductor Cable with IP68 Quick disconnects. See page 2 for Inline connection configurations.

Power Supply: Remote Class 2 110V-277VAC to 24VDC electronic power supply, see page 4 for maximum fixtures per driver. RGB/DMX interface options also available. See page 3 for power supply and control options.

Wattage: 9W

Color Temperature: RGB

Lumens: RGB Full Color
83Lm

Lumen Maintenance (L70): 50,000hrs

Calculation for LED fixtures are based on measurements that comply with IES LM-80.

CRI: 84

Voltage: 24V DC

IP: IP67

Load Rating: Resistant to static loads up to 12KN and dynamic loads up to 20KN in flush mounted cement and pavement installations.

Certifications: cULus Class 2 Wet Location Listed E479873
Tested in accordance with LM-79-08

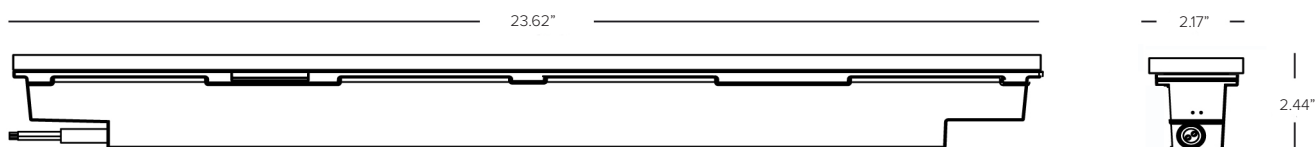
Warranty: 5 year limited warranty



PRODUCT CODE	DRIVER	OUTPUT	COLOR	CABLE CONFIG.	+	INSERTION SLEEVE	+	POWER SUPPLY
MM — Mini MERCURE	RP — Remote Power	09 — 9W	RGB — RGB Color Changing	L — Lead C — Center E — End S — Solo				

See Page 2 for inline cable configurations

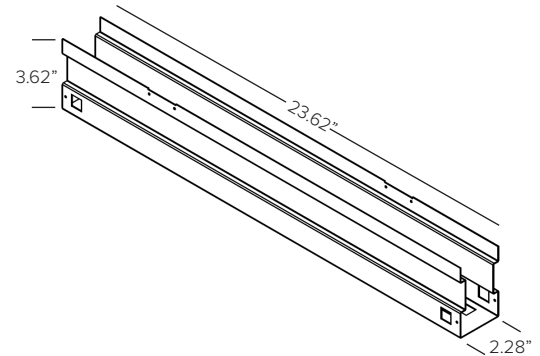
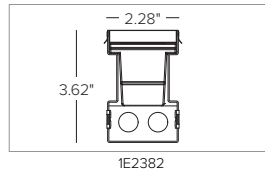
Views



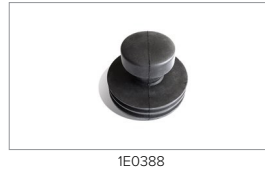
TARGETTI

MERCURE MINI RGB

INSTALLATION (REQUIRED)	
1E2382	Vertical aluminium insertion boxes with pre-set with removable end caps for installations in continuous rows. Complete with internal supports for installations in concrete. Dimensions 23 ¹¹ / ₁₆ "L x 2 ¹ / ₄ "W x 3 ⁵ / ₁₆ "H.

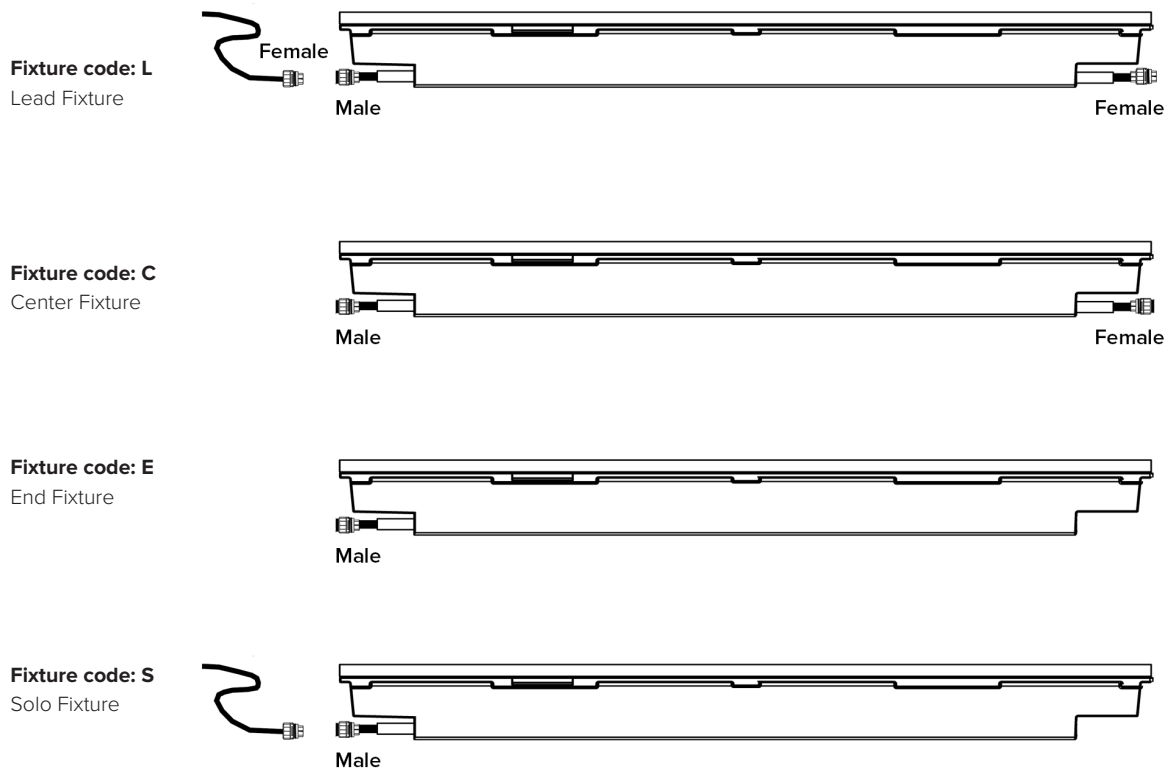


INSTALLATION ACCESSORIES:	
1E0388	Glass suction removal tool. Helpful one per 20 fixtures.



CONNECTION CABLES	
MMRGBLEAD-xx	IP68 Additional lead cable, direct burial fixture cable with IP68 female 3 socket connector. Additional lead cables sold in 2 foot increments, from 12 foot (MMRGBLEAD-12) to 80 foot (MMRGBLEAD-80).
MMRGBJUMP-xx	IP68 Connector cord, 2ft direct burial cable for fixture to fixture connection with IP68 male 3 socket connector and IP68 female 3-pin connector. Connector cords sold in 2 foot increments, from 2 foot (MMRGBJUMP-02) to 20 foot (MMRGBJUMP-20).

Cable Connection Configuration



9W, 24V DC

A maximum of 8 fixtures can be attached together on a single Class 2, 4 amp circuit output. See page 4 for maximum fixtures per driver.

TARGETTI

MERCURE MINI RGB

Power Supply (REQUIRED)	Type	Wattage	Input/Output Voltage	Dimmable	IP Rating	Output	Dimensions
DEDDX1001244CDMX	ELECTRONIC ADDRESSABLE DMX DRIVER	100W	120-277V / 24V	DMX DIMMING	NEMA3R ENCLOSURE	UL CLASS 2	12" x 12" x 4" ¹
DEDDX2002244CDMX	ELECTRONIC ADDRESSABLE DMX DRIVER	2X100W	120-277V / 24V	DMX DIMMING	NEMA3R ENCLOSURE	UL CLASS 2	12" x 12" x 4" ¹

¹ Dimensions include enclosure with mounting bracket.

* Constant voltage drivers 50/60HZ, voltage regulated with short circuit protection. Operating temperature -40 C- 80° C

* Installation of power supply must be compliant to Class 2 installation standards. Refer to NEC and local building code requirements.

* Consult factory for additional driver options (ie: DMX, DALI, wattage, size, shape, Lutron, ELDO, or others).

MAX FIXTURES PER DRIVER

		Fixture Wattage						
		3W	4W	5W	6W	9W	10W	14W
Driver Wattage	40W	10	8	6	5	3	3	2
	60W	16	12	9	8	5	4	3
	96W	25	19	15	12	8	7	5
	90W	24	18	14	12	8	7	5
	2X90W	48	36	28	24	16	14	10
	3X90W	72	54	43	36	24	21	15
	100W	26	20	16	12	8	8	5
	2X100	53	40	32	26	17	16	11

Controller (Optional)	Type	Application	Voltage	Listing	Dimensions	# Ouput Channels	Number of Areas	Number of Scenes
TGDMXSLESAU9	Stand-alone DMX Programmable Controller with Easy to Use Software Interface	Indoor Only	5.5V DC	ETL, UL	5.3"W x 5.5"H x 1.9D	256	1	20
TGCBUPWMX44	CASAMBI PWM four channel wireless Bluetooth controller	IP20	24V DC	UL Plenum	2.2" x 1.2" x 0.7"	4	1	CASAMBI App Drivin



TGDMXSLESAU9



TGCBUPWMX44

TARGETTI

MERCURE MINI RGB

Photometrics

