



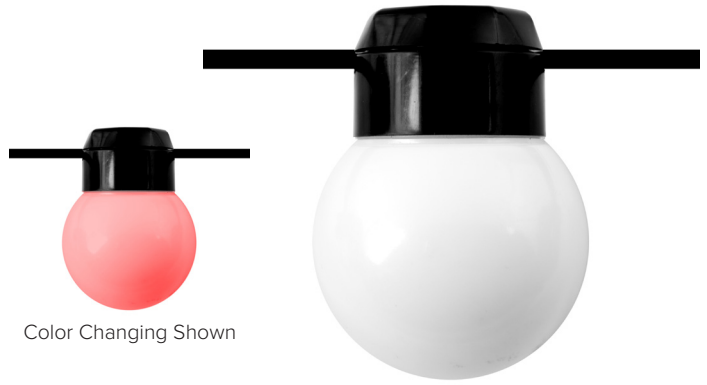
# INTELLISTRAND CABLE LIGHT

## Key Features

- Perfect for festoon mounting, taught or swayed.
- 16 gauge conductive cable with factory attached sockets.
- Available in 2300°K static warm white or addressable full color 24Bit RGB, individually addressable lights for dramatic full color lighting effects.
- Lamp spacing available in 12" OC and 24" OC.
- Flat base can be easily mounted against a wall or ridged surface.
- Max continuous length: 50' max per run (12" OC)  
100' max per run (24" OC)
- Multiple dimming options available, see power supply selections.

## Low voltage cable light

Low voltage dual circuit cable light available in various spacing. Strand is capable of static Warm White or RGB. For indoor and outdoor lighting applications.

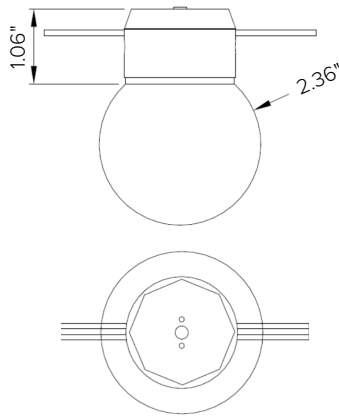


Color Changing Shown

Static White Shown



## Dimensional Drawings



## Details

|                |  |
|----------------|--|
| Spacing        | 12" or 24" OC Socket Spacing   |
| Color Temp     | Available in 2300°K and RGB  |
| Wattage        | 1.1W per socket  |
| Installation   | Attach to aircraft cable provided by others and to be secured with zip ties. |
| Power Supply   | Listed Class 2 output, 24 VDC power supply required                          |
| IP Rating      | IP65   |
| Certifications | cETLus Class 2 Wet Listed 4007019<br>Tested in accordance with LM-79-08      |
| Warranty       | 3 year warranty  |

## Fixture Data

| Model  | Efficacy*<br>Lm/Wt | Lm/Bulb | Wt/Bulb |
|--------|--------------------|---------|---------|
| 2300°K | 41.00*             | 45      | 1.1     |

\* Meets Title 24 High efficacy rating.

## Ordering Guide

| PRODUCT CODE       | TYPE             | WATTAGE  | COLOR TEMP          | SOCKET SPACING | VOLTAGE    | + | POWER SUPPLY |
|--------------------|------------------|----------|---------------------|----------------|------------|---|--------------|
| IN — Intellistrand | CL — Cable Light | 1 — 1.1W | WW — 2300K          | 12 — 12" OC    | 24 — 24VDC |   |              |
|                    |                  |          | FC — Full Color RGB | 24 — 24" OC    |            |   |              |

## Mounting Accessories



### DLD-LS-WRAP

1/2" Diameter black spiral cable wrap for use with aircraft cable. To encase aircraft cable and DuraLED Light Cable for a clean 1 wire look, sold per foot.

## Static White Power Supplies Options ONLY

| Power Supply (REQUIRED)           | Type  | Wattage         | Input/Output Voltage | Dimmable                             | IP Rating               | Output     | Dimensions                    |
|-----------------------------------|---|-----------------|----------------------|--------------------------------------|-------------------------|------------|-------------------------------|
| <b>DEL60PWM</b>                   | ELECTRONIC PWM DRIVER STANDALONE, <b>UL LISTED ENCLOSURE PROVIDED BY OTHERS</b>   | 60W             | 120-277V / 24V       | 0-10V/PWM 10%                        | IP67                    | UR CLASS 2 | 5.9" X 2.09" X 1.38"          |
| <b>DEL90PWM</b>                   | ELECTRONIC PWM DRIVER STANDALONE, <b>UL LISTED ENCLOSURE PROVIDED BY OTHERS</b>   | 90W             | 120-277V / 24V       | 0-10V/PWM 10%                        | IP67                    | UR CLASS 2 | 6.73" X 2.48" X 1.48"         |
| <b>DEDDxxx</b><br>consult factory | ELECTRONIC 0-10V DRIVER STANDALONE, <b>UL LISTED ENCLOSURE PROVIDED BY OTHERS</b> | consult factory | 120-277V / 24V       | 0-10V DIMMING 0.1%                   | N/A                     | UR CLASS 2 | consult factory               |
| <b>DELV40124D</b>                 | ELECTRONIC LOW VOLTAGE TRANSFORMER  | 40W             | 120-277V / 24V       | PHASE (120V ONLY) /0-10V DIMMING 10% | IP66 / NEMA4 ENCLOSURE  | UL CLASS 2 | 11" x 4" x 2.21" <sup>1</sup> |
| <b>DELV60124D</b>                 | ELECTRONIC LOW VOLTAGE TRANSFORMER  | 60W             | 120-277V / 24V       | PHASE (120V ONLY) /0-10V DIMMING 10% | IP66 / NEMA4 ENCLOSURE  | UL CLASS 2 | 11" x 4" x 2.21" <sup>1</sup> |
| <b>DELV96124D</b>                 | ELECTRONIC LOW VOLTAGE TRANSFORMER  | 96W             | 120-277V / 24V       | PHASE (120V ONLY) /0-10V DIMMING 10% | IP67 / NEMA4 ENCLOSURE  | UL CLASS 2 | 11" x 4" x 2.21" <sup>1</sup> |
| <b>DELX601241CPWM</b>             | ELECTRONIC PWM DRIVER   | 60W             | 120-277V / 24V       | 0-10V/PWM 10%                        | IP67 / NEMA3R ENCLOSURE | UL CLASS 2 | 10" x 10" x 4" <sup>1</sup>   |
| <b>DELX901241CPWM</b>             | ELECTRONIC PWM DRIVER   | 90W             | 120-277V / 24V       | 0-10V/PWM 10%                        | IP67 / NEMA3R ENCLOSURE | UL CLASS 2 | 10" x 10" x 4" <sup>1</sup>   |
| <b>DELX1802242CPWM</b>            | ELECTRONIC PWM DRIVER   | 2X90W           | 120-277V / 24V       | 0-10V/PWM 10%                        | IP67 / NEMA3R ENCLOSURE | UL CLASS 2 | 12" x 12" x 4" <sup>1</sup>   |
| <b>DELX2703243CPWM</b>            | ELECTRONIC PWM DRIVER   | 3X90W           | 120-277V / 24V       | 0-10V/PWM 10%                        | IP67 / NEMA3R ENCLOSURE | UL CLASS 2 | 12" x 12" x 4" <sup>1</sup>   |

<sup>1</sup> Dimensions include enclosure with mounting bracket.

\* Constant voltage drivers 50/60HZ, voltage regulated with short circuit protection. Operating temperature -40 C- 80° C

\* Installation of power supply must be compliant to Class 2 installation standards. Refer to NEC and local building code requirements.

\* Consult factory for additional driver options (ie: DMX, DALI, wattage, size, shape, Lutron, ELDO, or others).

## Color Changing Power Supplies Options ONLY

| Power Supply (REQUIRED) | Type                              | Wattage | Input/Output Voltage | Dimmable    | IP Rating        | Output     | Dimensions                  |
|-------------------------|-----------------------------------|---------|----------------------|-------------|------------------|------------|-----------------------------|
| <b>DEDDX1001244CDMX</b> | ELECTRONIC ADDRESSABLE DMX DRIVER | 100W    | 120-277V / 24V       | DMX DIMMING | NEMA3R ENCLOSURE | UL CLASS 2 | 12" x 12" x 4" <sup>1</sup> |
| <b>DEDDX2002244CDMX</b> | ELECTRONIC ADDRESSABLE DMX DRIVER | 2X100W  | 120-277V / 24V       | DMX DIMMING | NEMA3R ENCLOSURE | UL CLASS 2 | 12" x 12" x 4" <sup>1</sup> |

<sup>1</sup> Dimensions include enclosure with mounting bracket.

\* Constant voltage drivers 50/60HZ, voltage regulated with short circuit protection. Operating temperature -40 C- 80° C

\* Installation of power supply must be compliant to Class 2 installation standards. Refer to NEC and local building code requirements.

\* Consult factory for additional driver options (ie: DMX, DALI, wattage, size, shape, Lutron, ELDO, or others).

| Controller (Optional) | Type  | Application | Voltage | Listing   | Dimensions           | # Ouput Channels | Number of Areas | Number of Scenes   |
|-----------------------|---|-------------|---------|-----------|----------------------|------------------|-----------------|--------------------|
| <b>TGDMXSLES AU9</b>  | Stand-alone DMX Programmable Controller with Easy to Use Software Interface | Indoor Only | 5.5V DC | ETL, UL   | 5.3"W x 5.5"H x 1.9D | 256              | 1               | 20                 |
| <b>TGCBUPWMX44</b>    | CASAMBI PWM four channel wireless Bluetooth controller                      | IP20        | 24V DC  | UL Plenum | 2.2" x 1.2" x 0.7"   | 4                | 1               | CASAMBI App Drivin |



TGDMXSLES AU9



TGCBUPWMX44

## System Layout Example Diagram

