

TARGETTI

TITANO

Compact Professional Inground LED Grazer

Concept: Semi-recessed grazing light effect fixture for white LEDs.

Housing: Stainless steel body.

Materials: Die-cast aluminum trim. Stainless steel installation sleeve.

Trim: Painted Ferrite Grey anodized aluminium ring and cover. Ribbed glass lens for blade of light effect.

Optic: High Efficiency multichip LED Emitter. Mono-, bi-, pluri-emissions.

Mounting: Semi-recessed housing to mount in installation sleeve required (sold separately). Fixture includes screw down holes and stainless steel screws for attachment to installation sleeve.

Driver: 120V Integrated non-dimming driver.

Installation: Fixture mounts in installation 7.16" tall x 8.54" diameter sleeve. Fixture is provided with 6ft IP68 connector cable, direct burial brass ingrade jbox (required, sold separately).

Wattage: 6W

Color Temperature: 3000°K / 4000°K

Lumens: **3000K** **4000K**

Mono-Emission =	47Lm	53Lm
Bi-Emission =	93Lm	106Lm
Pluri-Emissions =	158Lm	181Lm

Lumen Maintenance (L70): 50,000hrs
Calculation for LED fixtures are based on measurements that comply with IES LM-80.

CRI: 84

BUG: B0-U1-G1 (mono-), B0-U2-G1 (bi-), B0-U2-G1 (pluri-)

Voltage: 120 AC 50/60Hz

IP: IP67 rated

Load Rating: Resistant to static loads up to 20KN in flush mounted cement and pavement installations.

Certifications: cULus Wet Listed E477426
 Tested in accordance with LM-79-08

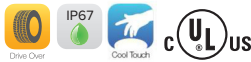
Warranty: 5 year limited warranty
 * Up to 1 METER DEPTH of water for up to a maximum of 30 MINUTES



Bi-Emission

Mono-Emission

Pluri-Emission



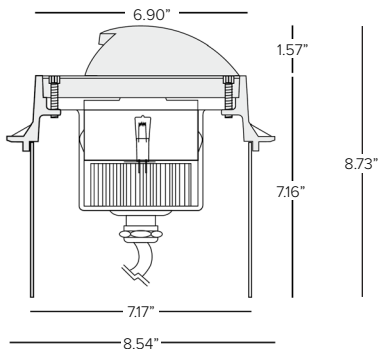
Mono-Emission

Bi-Emission

Pluri-Emission

PRODUCT CODE	DRIVER	TYPE	FINISH	WATTAGE	COLOR TEMP	+	INSTALLATION
TIT — TITANO LED	ND — Non-dimming driver	MO — Mono-Emission	FE — Ferrite Grey	L1 — 6W	30 — 3000K		Required (See Pg 2)
		BI — Bi-Emission			40 — 4000K		
		PL — Pluri-Emission					

Views



TARGETTI

TITANO

INSTALLATION SLEEVE (REQUIRED)

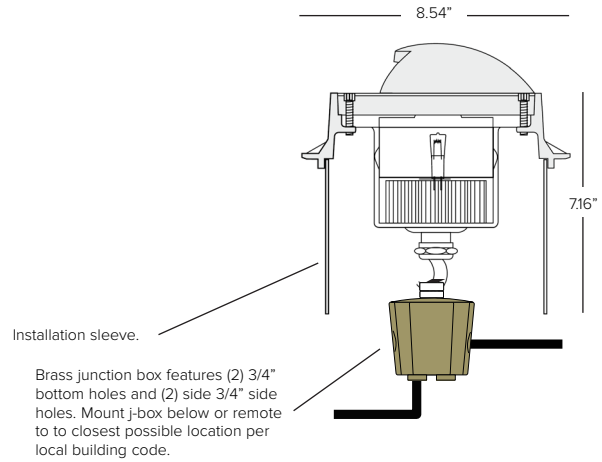
1E3408

7.16" Stainless steel installation sleeve with die-cast painted collar

INSTALLATION ACCESSORIES

1DU2530

Direct burial brass ingrade jbox
(REQUIRED one per fixture)



Photometric Information

MONO EMISSION			POLAR GRAPH	LCS GRAPH
Fixture Power	6W	6W		
Fixture Output	47Lm	53Lm		
Kelvin Temp	3000°K	4000°K		
Beam Spread	Mono-Emission			
I _{Max}	3651cd/klm	3651cd/klm		
Efficacy	8 Lm/W	9 Lm/W		

BI-EMISSION			POLAR GRAPH	LCS GRAPH
Fixture Power	6W	6W		
Fixture Output	93Lm	106Lm		
Kelvin Temp	3000°K	4000°K		
Beam Spread	Bi-Emission			
I _{Max}	1846cd/klm	1846cd/klm		
Efficacy	15.5 Lm/W	18 Lm/W		

PLURI-EMISSION			POLAR GRAPH	LCS GRAPH
Fixture Power	6W	6W		
Fixture Output	158Lm	181Lm		
Kelvin Temp	3000°K	4000°K		
Beam Spread	Pluri-Emission			
I _{Max}	1020cd/klm	1020cd/klm		
Efficacy	26 Lm/W	30 Lm/W		