

TARGETTI

STILO WALL STRAIGHT

Wall Mount LED Fixture

Concept: Wall mounted LED fixture.

Materials: Anodized extruded anodized aluminum body. Available in powder coated Ferrite Grey finish die-cast aluminum optical unit and terminal.

Optic: High luminous efficiency pure aluminum reflector. Ultra flat sand blasted methacrylate protective screen. Mono emission and Biemission versions.

Mounting: Unit installs directly on wall, comes with a 316 grade stainless steel bracket. The body can be adjusted from +/-4° up to +/-8° vertically and +/-4° horizontally. The fixture can be moved up to 15mm from the mounting surface by sliding the bracket along the mounting guide.

Installation: Pre-cabled with 6' SJ00W 18-3 cable.

Driver: IP67 integrated electronic power supply. Driver box fitted with IP67 watertight connectors and driver.

Dimming: 0v-10v dimming available. Biemission can be connected to 1 or 2 dimming circuits.

Color Temperature: 3000°K / 4000°K

Wattage: Monoemission 24W & 37W (E2, E3), 11W (S1)

Biemission 48W (EE), 20W (SS)

Lumen Maintenance (L70): 50,000hrs

Calculation for LED fixtures are based on measurements that comply with IES LM-80.

Color Temperature: 3000K and 4000K standard

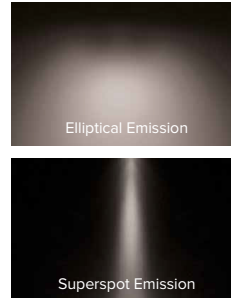
Voltage: 120-277VAC 50/60Hz

IP: IP66

Certifications: cULus Wet Listed E488257

Tested in accordance with LM-79-08

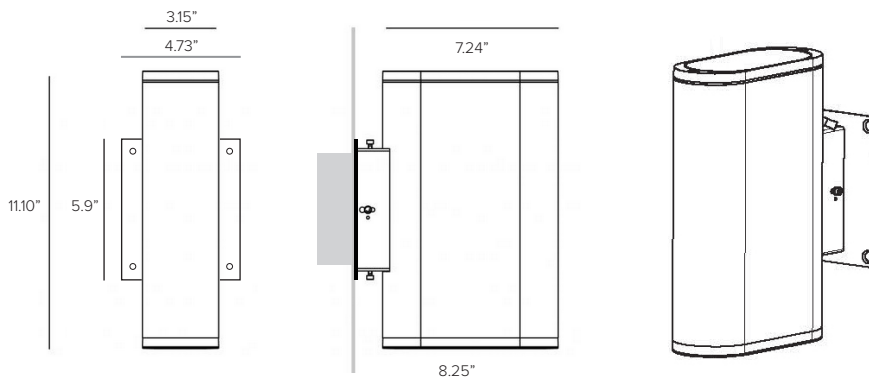
Warranty: 5 year limited warranty



Lumens:	Monoemission		
	Wattage	3000K	4000K
Elliptical = 24W	2315Lm	2391Lm	
= 37W	3175Lm	3281Lm	
Superspot = 11W	544Lm	582Lm	
Biemission			
Wattage	3000K	4000K	
Elliptical / Elliptical = 48W	4629Lm	4782Lm	
Superspot / Superspot = 20W	1087Lm	1163Lm	

PRODUCT CODE	DRIVER	TYPE	MOUNTING	FINISH	EMISSION	OPTICS	COLOR TEMP
ST — Stilo	ND — Non-Dimmable 10 — 0-10V Dimming	W — Wall	ST— Straight	FE— Ferrite	M — Monoemission B — Biemission	E2 — Elliptical 24W 42° x 79° E3 — Elliptical 37W 42° x 79° S1 — Superspot 11W 9° EE — Elliptical/Elliptical 48W 42°x79° + 42°x79° SS — Superspot/Superspot 20W 9°+ 9°	30 — 3000K 40 — 4000K

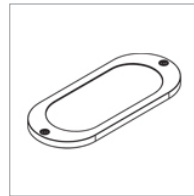
Views



TARGETTI

STILO WALL STRAIGHT

ACCESSORIES		
SUPERSPOT	ELLIPTICAL	
1E3035	1E3035	Chromatic Filter – Red
1E3036	1E3036	Chromatic Filter – Green
1E3037	1E3037	Chromatic Filter – Blue
1E3038	1E3038	Chromatic Filter – Yellow
1E3039	1E3039	Chromatic Filter – Magenta
1E2576	-	Blade of light filter
1E2578	1E2578	Anti-glare



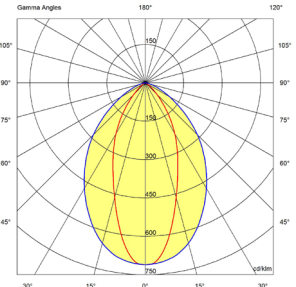
Filter

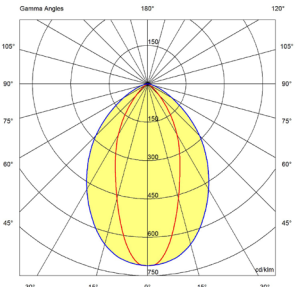


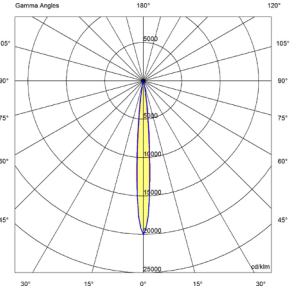
TARGETTI

STILO WALL STRAIGHT

Photometry

STILO MONOEMISSION ELLIPTICAL E2 (42°X79°)			POLAR GRAPH	CONE OF LIGHT			
Fixture Power	24W	24W		(Ft)		Max	Med
Fixture Output	2315Lm	2391Lm				ftcd	ftcd
Kelvin Temp	3000°K	4000°K					
Beam Spread	Elliptical Mono						
I _{Max}	711.10cd/klm	711.10cd/klm					
Efficacy	97 Lm/W	100 Lm/W					
				5.00		83	40
				10.00		21	10
				15.00		9	4
				20.00		5	2
				25.00		3	2

STILO MONOEMISSION ELLIPTICAL E3 (42°X79°)			POLAR GRAPH	CONE OF LIGHT			
Fixture Power	37W	37W		(Ft)		Max	Med
Fixture Output	3175Lm	3281Lm				ftcd	ftcd
Kelvin Temp	3000°K	4000°K					
Beam Spread	Elliptical Mono						
I _{Max}	711.10cd/klm	711.10cd/klm					
Efficacy	86 Lm/W	89 Lm/W					
				4.00		178	85
				8.00		44	21
				12.00		20	9
				16.00		11	5
				20.00		7	3

STILO MONOEMISSION SUPERSPOT S1 (9°)			POLAR GRAPH	CONE OF LIGHT			
Fixture Power	11W	11W		(Ft)		Max	Med
Fixture Output	544Lm	582Lm				ftcd	ftcd
Kelvin Temp	3000°K	4000°K					
Beam Spread	Super Spot Mono						
I _{Max}	20017cd/klm	20017cd/klm					
Efficacy	49 Lm/W	53 Lm/W					
				7.00		266	172
				14.00		66	43
				21.00		30	19
				28.00		17	11
				35.00		11	7

TARGETTI

STILO WALL STRAIGHT

Photometry

STILO BIEMISSION ELLIPTICAL EE (42°X79° + 42°X79°)			POLAR GRAPH	CONE OF LIGHT
Fixture Power	48W	48W		
Fixture Output	4629Lm	4782Lm		
Kelvin Temp	3000°K	4000°K		
Beam Spread	Biemission Ellipt/Ellipt			
IMax	712cd/klm x 2			
Efficacy	96 Lm/W	100 Lm/W		

STILO BIEMISSION SUPERSPOT SS (9° + 9°)			POLAR GRAPH	CONE OF LIGHT
Fixture Power	20W	20W		
Fixture Output	1087Lm	1163Lm		
Kelvin Temp	3000°K	4000°K		
Beam Spread	Biemission SSspot/SSpot			
IMax	20018cd/klm x 2			
Efficacy	54 Lm/W	58 Lm/W		