

# TARGETTI

## PICO PYROS Integral Compact Integral Driver Projector

**Concept:** Compact projector flood light for high intensity LED.

**Housing:** Die-cast aluminum body and joints. Finned optical housing for heat dissipation.

**Optic:** High Efficiency multichip LED. Microfaceted aluminium optics available in 18° Spot and 30° Flood distributions.

**Mounting:** Complete with wall mounting bracket. 180° adjustable on the vertical plane with aim locking system, +/-45° adjustable on the horizontal plane through mounting bracket.

**Installation:** Pre-cabled with 6' SJ00W 18-3 cable.

**Finish:** Available in Ferrite Grey or Bronze.

**Driver:** Integrated driver housed in fixture base.

**Wattage:** 10.6W

**Color Temperature:** 3000°K / 4000°K

**Lumens:** 3000°K 4000°K

Spot 18° = 408Lm 433Lm

Flood 36° = 361Lm 383Lm

**Lumen Maintenance (L70):** 50,000hrs

*Calculation for LED fixtures are based on measurements that comply with IES LM-80.*

**CRI:** 84

**Voltage:** 120V AC 50/60Hz

**IP:** IP67 rated, tested as IP68

**Certifications:** cULus Class II Wet Location Listed E488257

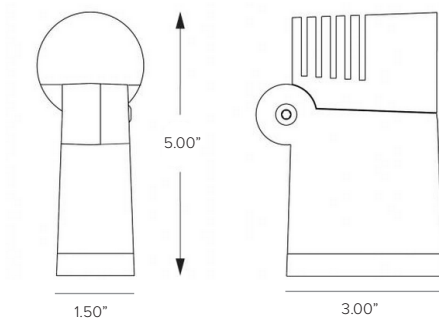
Tested in accordance with LM-79-08

**Warranty:** 5 year limited warranty



PRODUCT CODE	TYPE	DRIVER	FINISH	OUTPUT	OPTICS	COLOR TEMP
PP — Pico Pyros	ID — Integrated Driver	ND — Non Dimmable Electronic	FW — Ferrite Grey BZ — Bronze	L1 — 10.6W	SP — Spot 18° FL — Flood 36°	30 — 3000K 40 — 4000K

### Views



# TARGETTI

## PICO PYROS Integral

ACCESSORIES	
1E0995	Ground Stake, 4.3" length



1E0995



Tree Strap with Fixture Bracket

### Tree Mounting Accessories

TREE STRAP (REQUIRED) - CHOOSE 1	
Durable 1.5 inch wide Nylon webbing Strap is flexible with High Strength Aircraft Aluminum V-ring Buckle in Gunmetal finish and lock in loop to prevent slipping. The strap is made to coordinate with up to 4 fixtures and 1 wiring connection box.	
TTS0101	Tree strap for trees 39" in circumference or smaller. Olive Green nylon strap with Gunmetal cinch buckle.
TTS0102	Tree strap for trees 39" in circumference or smaller. Coyote Brown nylon strap with Gunmetal cinch buckle.

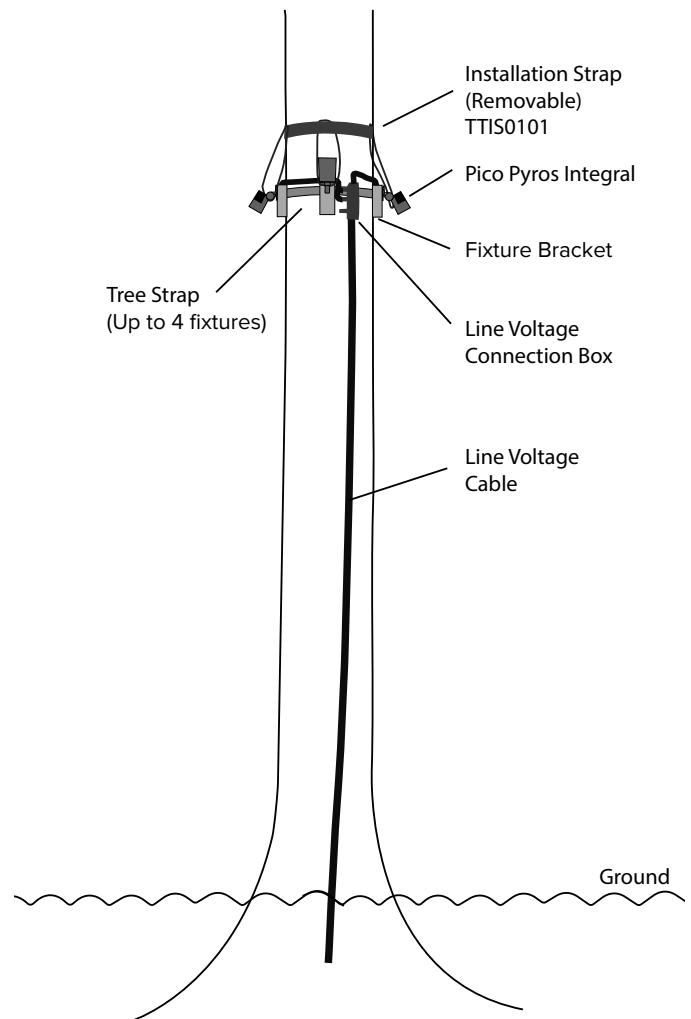
INSTALLATION STRAP (REQUIRED)	
Durable 1.5 inch wide Nylon webbing Strap is flexible with Metal Cinch Buckle and lock in loop to prevent slipping. The installation strap comes with 4 each 12 inch Rubber Loops used to hold up to 4 fixtures in place while positioning and tightening the Tree Strap in position during Installation or Maintenance and then removed for operation. <b>For use with 2 or more fixtures.</b>	
TTIS0101	Installation strap flexible nylon webbing strap with metal cinch buckle and lock in loop. Includes 4 each 12" rubber loops to hold up to 4 fixtures in place while positioning.

FIXTURE BRACKETS (REQUIRED) - CHOOSE 1	
Buckle style Brackets for securing onto Tree Straps.	
TTPI0101	Ferrite Grey finish Bracket with stainless steel mounting screws.
TTPI0102	Bronze finish Bracket with stainless steel mounting screws.

TREE STRAP LINE VOLTAGE CONNECTION BOX (REQUIRED) - CHOOSE 1	
Tree strap junction boxes are used to split the line voltage power to either 1, 2, 3 or 4 separate integral driver fixtures. <b>Required for line voltage applications</b>	
TTJB0103	Tree Strap Connection Box. Grey ABS plastic with internal terminal block for wire connections and 3 each 1/2" knockouts for connections to 1 or 2 fixtures. Dimensions: 3 1/4" x 2 1/2" x 1 3/4".
TTJB0104	Tree Strap Connection Box. Grey ABS plastic with internal terminal block for wire connections and 4 each 1/2" knockouts for connections to 2 or 3 fixtures. Dimensions: 4 1/2" x 2 1/2" x 1 3/4".
TTJB0105	Tree Strap Connection Box. Grey ABS plastic with internal terminal block for line voltage wire connections and 5 each 1/2" knockouts for connections to 3 or 4 fixtures. Dimensions: 6 1/4" x 3" x 2 1/8".

MESH WIRE PROTECTION COVER (OPTIONAL)	
A braided polyethylene terephthalate (PET) monofilament yarn resistant to chemical degradation, UV radiation, and abrasion.	
TTSJS01	Carbon Grey 3/8" SJO Cord Sleeve (Sold per foot)
TTSJS02	Brown 3/8" SJO Cord Sleeve (Sold per foot)
TTSJS03	Forest Green 3/8" SJO Cord Sleeve (Sold per foot)

### Wiring Configuration



# TARGETTI

## PICO PYROS Integral

### Photometrics

SPOT		POLAR GRAPH		CONE OF LIGHT					
Fixture Power	10.6W			(Ft)	Alpha=9.2°+9.2°	G=0.0°	Beta=9.2°+9.2°	Max	Med
Fixture Output	408Lm	433Lm						ftcd	ftcd
Kelvin Temp	3000°K	4000°K			4.00			141	89
Beam Spread	SP 18°	SP 18°			8.00			35	22
IMax	4497cd/klm	4497cd/klm			12.00			16	10
Efficacy	34 Lm/W	36 Lm/W			16.00			9	6
				20.00			6	4	

FLOOD		POLAR GRAPH		CONE OF LIGHT					
Fixture Power	10.6W			(Ft)	Alpha=18.1°+18.1°	G=0.0°	Beta=18.0°+18.0°	Max	Med
Fixture Output	361Lm	383Lm						ftcd	ftcd
Kelvin Temp	3000°K	4000°K			3.00			73	43
Beam Spread	FL 36°	FL 36°			6.00			18	11
IMax	1308cd/klm	1308cd/klm			9.00			8	5
Efficacy	30 Lm/W	32 Lm/W			12.00			5	3
				15.00			3	2	