

TARGETTI

SATURN MINI

Professional Inground LED Fixture

Concept: Mini recessed ingrade LED fixture.

Materials: Anodized polished aluminum body.

Trim: Front made entirely of screen-printed, opal white 4mm thick glass.

Optic: High Efficiency LED Emitter. Precision optic system with PMMA lenses for the wide flood version.

Mounting: Recessed mounting with installation sleeve (required). Drive over rated to 20kN.

Driver: Remote Class II 120V-277VAC power supply required, see page 2 for options.

Installation: Flush installation sleeve with adjustable collar for precision finished floor mounting 2.76"H, Ø1.58" sleeve . Raised installation mount includes 2.36"H, Ø1.34" sleeve. Pre-cabled with 2ft direct burial 18-2ga cable for connection to remote power supply.

Wattage: 3W

Color Temperature: 3000°K / 4000°K

CRI: 84 CRI standard, 90 CRI available on request.

Lumens: 3000°K 4000°K

Wide Flood 122° = 11Lm 12Lm

Lumen Maintenance (L70): 50,000hrs

Calculation for LED fixtures are based on measurements that comply with IES LM-80.

Voltage: 24VDC

IP: IP67 rated

Load Rating: Resistant to static loads up to 20KN in flush mounted cement and pavement installations.

Certifications: cULus Class 2 Wet Location Listed

Tested in accordance with LM-79-08

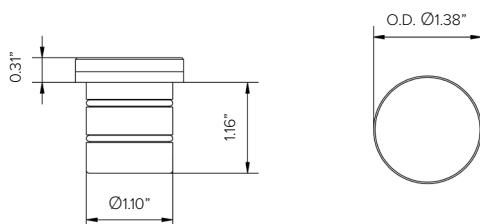
Warranty: 5 year limited warranty

* Up to 1 METER DEPTH of water for up to a maximum of 30 MINUTES



| PRODUCT CODE | DRIVER | LENS | WATTAGE | COLOR TEMP | VOLTAGE | + | INSTALLATION |
|-------------------|--------------------|----------------------|------------|------------|------------|---|---------------------|
| SAM – SATURN Mini | RP – Remote Driver | WF – Wide Flood 122° | L1 – 3W | 30 – 3000K | 24 – 24VDC | | Required (See Pg 2) |
| | | | 40 – 4000K | | | | |

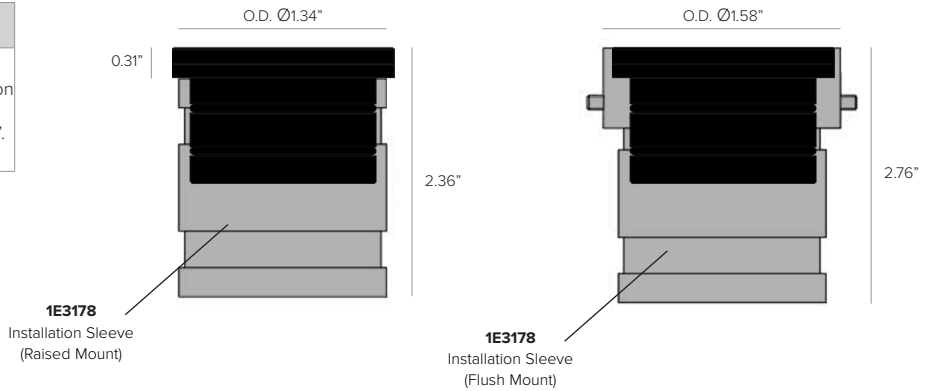
Views



TARGETTI

SATURN MINI

| INSTALLATION (REQUIRED) | |
|-------------------------|--|
| 1E3178 | Installation sleeve. Flush installation sleeve with adjustable collar for precision finished floor mounting 2.76"H, Ø1.58". Raised installation mount 2.36"H, Ø1.34". (REQUIRED) |



Power Supplies (REQUIRED)

| Power Supplies | Type | Max Fixtures Per Driver | Wattage | Voltage | Dimmability | Listing | Dimensions |
|-----------------------------------|---|---------------------------------|---------------|---------------------|----------------------------------|------------------------|------------------|
| DEL-X-120-1-4-24 | Electronic Power Supply in NEMA3R Enclosure | 25 | 96W / 1X4A** | 90-305V AC / 24V DC | Non-Dimmable | cULus | 12"W X 12"L 4"D* |
| DEL-X-240-2-4-24 | | 50 <i>two runs of 25ea</i> | 192W / 2X4A** | | | | |
| DEL-X-320-3-4-24 | | 75 <i>three runs of 25ea</i> | 288W / 3x4A** | | | | |
| DEL-LPF-25-24¹ | Electronic Stand-alone IP67 <i>(Listed Enclosure Provided by Others)</i> | 6 | 25W / 1x1A** | | UR Class II | 2.67"W X 9.66"L 1.53"D | |
| DEL-120-1-4-24¹ | Electronic Stand-alone <i>(Listed Enclosure Provided by Others)</i> | 25 | 96W / 1X4A** | | | | |
| DEL-X-120-1-4-24-D | Electronic Power Supply in NEMA3R Enclosure | 25 | 96W / 1X4A** | | Integral 0-10V Dimming Interface | cULus | 12"W X 12"L 4"D* |
| DEL-X-240-2-4-24-D | | 50 <i>two runs of 25ea</i> | 192W / 2X4A** | | | | |
| DEL-X-320-3-4-24-D | | 75 <i>three runs of 25ea</i> | 288W / 3x4A** | | | | |

¹Installation of transformer must be compliant to Class II installation standards. Refer to NEC and local building code requirements.

* Dimensions include enclosure with mounting bracket.

** 4A maximum current protection for each secondary circuit.

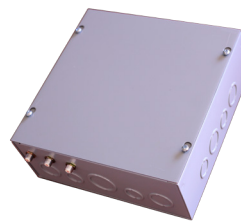
*** Constant voltage drivers 50/60HZ, voltage regulated with short circuit protection. Operating temperature -40 C- 80° C. Consult factory for Dali and DMX options.

Electronic Drivers

For use with or without 0-10V interface (DLD-1-10) for secondary side dimming control. Generally used for programmable dimming levels for changing scenarios.



Electronic Stand-alone Driver



Enclosure with Electronic Driver

TARGETTI

SATURN MINI

Photometrics

