

TARGETTI

SATURN

Professional Inground LED Fixture

Concept: Recessed ingrade LED fixture.

Materials: Anodized polished aluminum body.

Trim: Front made entirely of screen-printed, opal white 4mm thick glass.

Optic: High Efficiency LED. Precision optic system with PMMA lenses for the wide flood version.

Mounting: Recessed mounting with installation sleeve (required). Drive over rated to 20kN.

Driver: Remote Class II 120V-277VAC power supply required, see page 2 for options.

Installation: Finstallation sleeve with adjustable collar for precision finished floor mounting 2.76"H, Ø2.56". Raised installation mount includes 2.36"H, Ø 2.25" sleeve. Pre-cabled with 2ft direct burial 18-2ga cable for connection to remote power supply.

Wattage: 5W

Color Temperature: 3000°K / 4000°K

CRI: 84 CRI standard, 90 CRI available on request.

Lumens: 3000°K 4000°K

Wide Flood 115° = 48Lm 51Lm

Lumen Maintenance (L70): 50,000hrs

Calculation for LED fixtures are based on measurements that comply with IES LM-80.

Voltage: 24VDC

IP: IP67 rated

Load Rating: Resistant to static loads up to 20KN in flush mounted cement and pavement installations.

Certifications: cULus Class II Wet Location Listed

Tested in accordance with LM-79-08

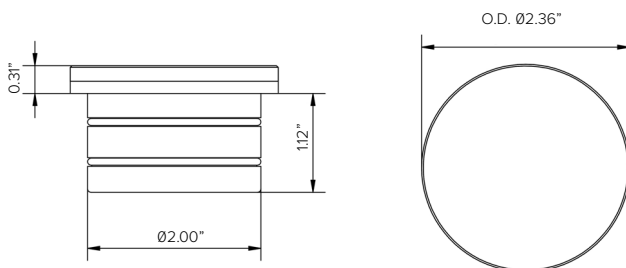
Warranty: 5 year limited warranty

* Up to 1 METER DEPTH of water for up to a maximum of 30 MINUTES

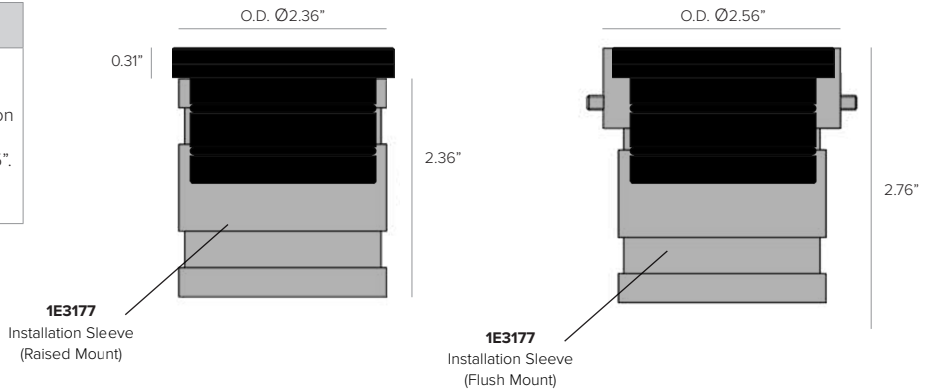


PRODUCT CODE	DRIVER	LENS	WATTAGE	COLOR TEMP	VOLTAGE	+	INSTALLATION
SAT – SATURN	RP – Remote Driver	WF – Wide Flood 115°	L1 – 5W	30 – 3000K 40 – 4000K	24 – 24VDC		Required (See Pg 2)

Views



INSTALLATION (REQUIRED)	
1E3177	Installation sleeve. Flush installation sleeve with adjustable collar for precision finished floor mounting 2.76"H, Ø2.56". Raised installation mount 2.36"H, Ø2.25". (REQUIRED)



Power Supplies (REQUIRED)

Power Supplies	Type	Max Fixtures Per Driver	Wattage	Voltage	Dimmability	Listing	Dimensions
DEL-X-120-1-4-24	Electronic Power Supply in NEMA3R Enclosure	15	96W / 1X4A**	90-305V AC / 24V DC	Non-Dimmable	cULus	12"W X 12"L 4"D*
DEL-X-240-2-4-24		30 <i>two runs of 15ea</i>	192W / 2X4A**				
DEL-X-320-3-4-24		45 <i>three runs of 15ea</i>	288W / 3x4A**				
DEL-LPF-25-24¹	Electronic Stand-alone IP67 <i>(Listed Enclosure Provided by Others)</i>	4	25W / 1x1A**		Integral 0-10V Dimming Interface	UR Class II	2.67"W X 9.66"L 1.53"D
DEL-120-1-4-24¹	Electronic Stand-alone <i>(Listed Enclosure Provided by Others)</i>	15	96W / 1X4A**				
DEL-X-120-1-4-24-D	Electronic Power Supply in NEMA3R Enclosure	15	96W / 1X4A**		90-305V AC / 24V DC	Integral 0-10V Dimming Interface	cULus
DEL-X-240-2-4-24-D		30 <i>two runs of 15ea</i>	192W / 2X4A**				
DEL-X-320-3-4-24-D		45 <i>three runs of 15ea</i>	288W / 3x4A**				

¹Installation of transformer must be compliant to Class II installation standards. Refer to NEC and local building code requirements.

* Dimensions include enclosure with mounting bracket.

** 4A maximum current protection for each secondary circuit.

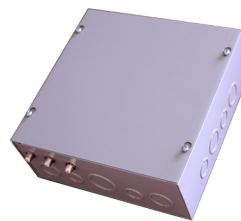
*** Constant voltage drivers 50/60HZ, voltage regulated with short circuit protection. Operating temperature -40 C- 80° C. Consult factory for Dali and DMX options.

Electronic Drivers

For use with or without 0-10V interface (DLD-1-10) for secondary side dimming control. Generally used for programmable dimming levels for changing scenarios.



Electronic Stand-alone Driver



Enclosure with Electronic Driver

TARGETTI

SATURN

Photometrics

