

TARGETTI

JUPITER MINI

Professional Inground LED Fixture

Concept: Mini recessed ingrade LED fixture.

Materials: Anodized polished aluminum body with Passive cooling system.

Trim: Stainless steel (AISI316L) polished stainless steel front ring with bevelled extraclear front glass.

Optic: Precision optic system with PMMA lenses for the spot, flood and wide flood versions with a light cut system integrated into the front glass.

Mounting: Semi flush mount bevelled trim, installation sleeve (required).

Power Supply: Remote Class II 120V-277VAC power supply required, see page 2 for options.

Installation: Fixture surface mount installation includes 2.36" tall x 1.73" diameter sleeve. Pre-cabled with 2ft direct burial 18ga 2 Conductor Cable for Connection to remote power supply.

Wattage: 4W

Color Temperature: 3000°K / 4000°K

CRI: 84

Lumens: **3000°K** **4000°K**

Spot 17° = 298Lm 319Lm

Flood 30° = 291Lm 311Lm

Wide Flood 60° = 303Lm 324Lm

Lumen Maintenance (L70): 50,000hrs

Calculation for LED fixtures are based on measurements that comply with IES LM-80.

Voltage: 24VDC

IP: IP67 rated

Load Rating: Resistant to static loads up to 20KN in flush mounted cement and pavement installations.

Certifications: cULus Class II Wet Location Listed E479873

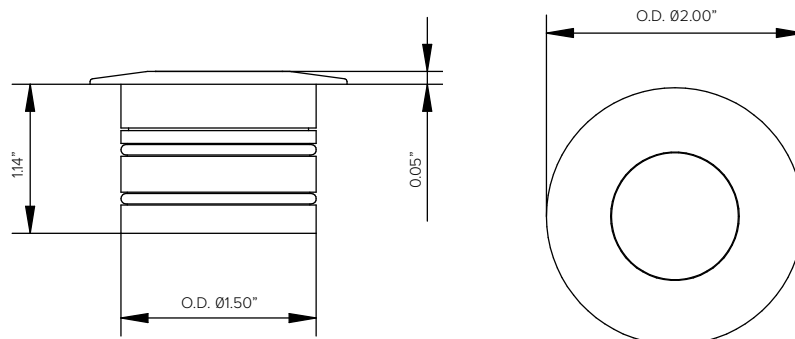
Tested in accordance with LM-79-08

Warranty: 5 year limited warranty



PRODUCT CODE	DRIVER	LENS	WATTAGE	COLOR TEMP	VOLTAGE	+	INSTALLATION
JPM – JUPITER Mini	RP – Remote Driver	SP – Spot 17° FL – Flood 30° WF – Wide Flood 60°	L1 – 4W	30 – 3000K 40 – 4000K	24 – 24VDC		Required (See Pg 2)

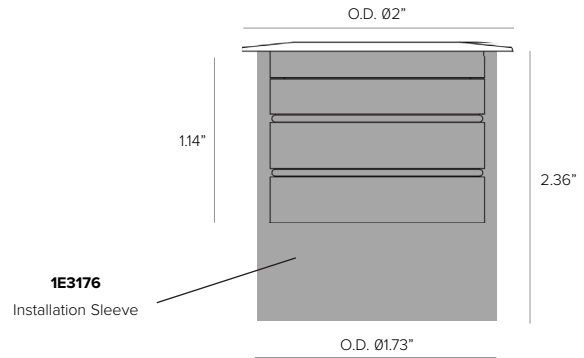
Views



TARGETTI

JUPITER MINI

INSTALLATION (REQUIRED)	
1E3176	Installation sleeve flush finish (REQUIRED)



Power Supplies (REQUIRED)

Power Supplies	Type	Max Fixtures Per Driver	Wattage	Voltage	Dimmability	Listing	Dimensions
DEL-X-120-1-4-24	Electronic Power Supply in NEMA3R Enclosure	19	96W / 1X4A**	90-305V AC / 24V DC	Non-Dimmable	cULus	12"W X 12"L 4"D*
DEL-X-240-2-4-24		38 <i>two runs of 19ea</i>	192W / 2X4A**				
DEL-X-320-3-4-24		57 <i>three runs of 19ea</i>	288W / 3x4A**				
DEL-LPF-25-24¹	Electronic Stand-alone IP67 <i>(Listed Enclosure Provided by Others)</i>	5	25W / 1x1A**		Integral 0-10V Dimming Interface	UR Class II	2.67"W X 9.66"L 1.53"D
DEL-120-1-4-24¹	Electronic Stand-alone <i>(Listed Enclosure Provided by Others)</i>	19	96W / 1X4A**				
DEL-X-120-1-4-24-D	Electronic Power Supply in NEMA3R Enclosure	19	96W / 1X4A**		Integral 0-10V Dimming Interface	cULus	12"W X 12"L 4"D*
DEL-X-240-2-4-24-D		38 <i>two runs of 19ea</i>	192W / 2X4A**				
DEL-X-320-3-4-24-D		57 <i>three runs of 19ea</i>	288W / 3x4A**				

¹Installation of transformer must be compliant to Class II installation standards. Refer to NEC and local building code requirements.

* Dimensions include enclosure with mounting bracket.

** 4A maximum current protection for each secondary circuit.

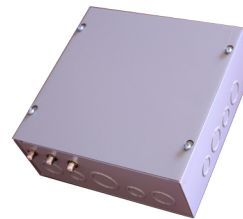
*** Constant voltage drivers 50/60HZ, voltage regulated with short circuit protection. Operating temperature -40 C- 80° C. Consult factory for Dali and DMX options.

Electronic Drivers

For use with or without 0-10V interface (DLD-1-10) for secondary side dimming control. Generally used for programmable dimming levels for changing scenarios.



Electronic Stand-alone Driver



Enclosure with Electronic Driver

TARGETTI

JUPITER MINI

Photometrics

SPOT			POLAR GRAPH	CONE OF LIGHT		
Fixture Power	4W	4W				
Fixture Output	298Lm	319Lm			(Ft)	Max Med
Kelvin Temp	3000°K	4000°K			10.00	20 13
Beam Spread	SP 17°	SP 17°			8.00	32 20
I _{Max}	5771cd/klm	5771cd/klm			6.00	57 36
Efficacy	75 Lm/W	80 Lm/W			4.00	127 80
			2.00	509 322		

FLOOD			POLAR GRAPH	CONE OF LIGHT		
Fixture Power	4W	4W				
Fixture Output	291Lm	311Lm			(Ft)	Max Med
Kelvin Temp	3000°K	4000°K			10.00	11 7
Beam Spread	FL 30°	FL 30°			8.00	17 11
I _{Max}	3009cd/klm	3009cd/klm			6.00	30 19
Efficacy	73 Lm/W	78 Lm/W			4.00	66 42
			2.00	256 169		

WIDE FLOOD			POLAR GRAPH	CONE OF LIGHT		
Fixture Power	4W	4W				
Fixture Output	303Lm	324Lm			(Ft)	Max Med
Kelvin Temp	3000°K	4000°K			10.00	4 2
Beam Spread	WFL 60°	WFL 60°			8.00	6 3
I _{Max}	1040cd/klm	1040cd/klm			6.00	10 6
Efficacy	76 Lm/W	81 Lm/W			4.00	23 13
			2.00	92 50		