

TARGETTI

JUPITER

Professional Inground LED Fixture

Concept: Recessed ingrade LED fixture.

Materials: Anodized polished aluminum body with Passive cooling system.

Trim: Stainless steel (AISI316L) polished stainless steel front ring with bevelled extraclear front glass.

Optic: Precision optic system with PMMA lenses for the spot, flood and wide flood versions with a light cut system integrated into the front glass.

Mounting: Semi flush mount bevelled trim, installation sleeve (required).

Power Supply: Remote Class II 120V-277VAC power supply required, see page 2 for options.

Installation: Fixture semi flush mount installation includes 3.15" tall x 2.95" diameter sleeve. Pre-cabled with 2ft direct burial 18ga 2 Conductor Cable for Connection to remote power supply.

Wattage: 10W

Color Temperature: 3000°K / 4000°K

CRI: 84 CRI

Lumens: **3000°K** **4000°K**

Spot 18° = 964Lm 994Lm

Flood 34° = 982Lm 1013Lm

Medium Wide Flood 57° = 962Lm 992Lm

Lumen Maintenance (L70): 50,000hrs

Calculation for LED fixtures are based on measurements that comply with IES LM-80.

Voltage: 24VDC

IP: IP67 rated

Load Rating: Resistant to static loads up to 20KN in flush mounted cement and pavement installations.

Certifications: cULus Class II Wet Location Listed E479873

Tested in accordance with LM-79-08

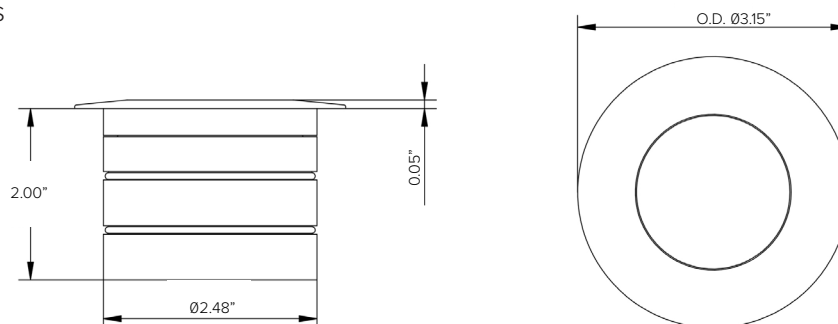
Warranty: 5 year limited warranty

* Up to 1 METER DEPTH of water for up to a maximum of 30 MINUTES



PRODUCT CODE	DRIVER	LENS	WATTAGE	COLOR TEMP	VOLTAGE	+	INSTALLATION
JUP – JUPITER	RP – Remote Driver	SP – Spot 18°	L1 – 10W	30 – 3000K	24 – 24VDC		Required (See Pg 2)
		FL – Flood 34°		40 – 4000K			
		WF – Wide Flood 57°					

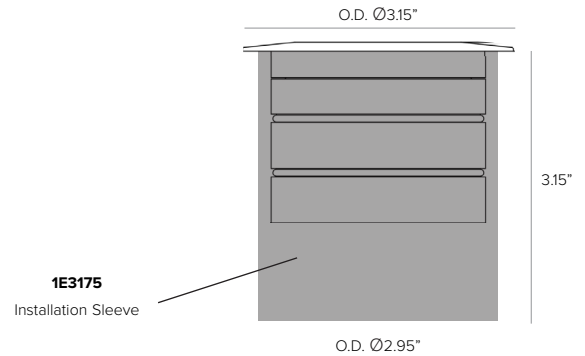
Views



TARGETTI

JUPITER

INSTALLATION (REQUIRED)	
1E3175	Installation sleeve flush finish (REQUIRED)



Power Supplies (REQUIRED)

Power Supplies	Type	Max Fixtures Per Driver	Wattage	Voltage	Dimmability	Listing	Dimensions
DEL-X-120-1-4-24	Electronic Power Supply in NEMA3R Enclosure	7	96W / 1X4A**	90-305V AC / 24V DC	Non-Dimmable	cULus	12"W X 12"L 4"D*
DEL-X-240-2-4-24		14 <i>two rows of 6ea</i>	192W / 2X4A**				
DEL-X-320-3-4-24		21 <i>three rows of 6ea</i>	288W / 3x4A**				
DEL-LPF-25-24 ¹	Electronic Stand-alone IP67 <i>(Listed Enclosure Provided by Others)</i>	2	25W / 1x1A**		UR Class II	2.67"W X 9.66"L 1.53"D	
DEL-120-1-4-24 ¹	Electronic Stand-alone <i>(Listed Enclosure Provided by Others)</i>	7	96W / 1X4A**				
DEL-X-120-1-4-24-D	Electronic Power Supply in NEMA3R Enclosure	7	96W / 1X4A**		Integral 0-10V Dimming Interface	cULus	12"W X 12"L 4"D*
DEL-X-240-2-4-24-D		14 <i>two rows of 6ea</i>	192W / 2X4A**				
DEL-X-320-3-4-24-D		21 <i>three rows of 6ea</i>	288W / 3x4A**				

¹ Installation of transformer must be compliant to Class II installation standards. Refer to NEC and local building code requirements.

* Dimensions include enclosure with mounting bracket.

** 4A maximum current protection for each secondary circuit.

*** Constant voltage drivers 50/60HZ, voltage regulated with short circuit protection. Operating temperature -40 C- 80° C.

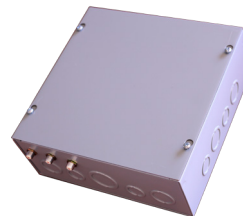
Consult factory for Dali and DMX options.

Electronic Drivers

For use with or without 0-10V interface (DLD-1-10) for secondary side dimming control. Generally used for programmable dimming levels for changing scenarios.



Electronic Stand-alone Driver



Enclosure with Electronic Driver

TARGETTI

JUPITER

Photometrics

SPOT			POLAR GRAPH	CONE OF LIGHT
Fixture Power	10W	10W		
Fixture Output	964Lm	994Lm		
Kelvin Temp	3000°K	4000°K		
Beam Spread	SP 18°	SP 18°		
I _{Max}	4145cd/klm	4145cd/klm		
Efficacy	96 Lm/W	99 Lm/W		
			(Ft)	Max Med
				ftcd ftcd
			10.00	50 32
			8.00	79 50
			6.00	140 89
			4.00	314 201
			2.00	1257 805

FLOOD			POLAR GRAPH	CONE OF LIGHT
Fixture Power	10W	10W		
Fixture Output	982Lm	1013Lm		
Kelvin Temp	3000°K	4000°K		
Beam Spread	FL 34°	FL 34°		
I _{Max}	1705cd/klm	1705cd/klm		
Efficacy	98 Lm/W	101 Lm/W		
			(Ft)	Max Med
				ftcd ftcd
			10.00	21 12
			8.00	32 19
			6.00	57 34
			4.00	129 77
			2.00	517 308

WIDE FLOOD			POLAR GRAPH	CONE OF LIGHT
Fixture Power	10W	10W		
Fixture Output	962Lm	992Lm		
Kelvin Temp	3000°K	4000°K		
Beam Spread	WFL 57°	WFL 57°		
I _{Max}	808cd/klm	808cd/klm		
Efficacy	96 Lm/W	99 Lm/W		
			(Ft)	Max Med
				ftcd ftcd
			10.00	10 5
			8.00	15 8
			6.00	27 15
			4.00	61 33
			2.00	245 131