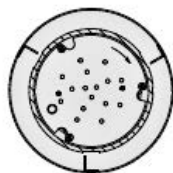
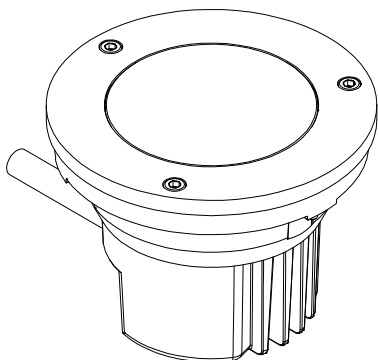




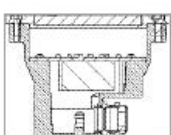
CALYPSO

Product code: CAL-



4.90"

4.90"



3.74"

K 5 FB-B;

To ensure a maximum efficient use of the product, read the instructions before proceeding installment.

***Please make sure the fixture is sealed correctly and the trim ring is properly tightened (see fixture preparation page 3 for details)*.**



This fixture must be installed by a licensed and qualified electrician. The installer must comply with NEC and local building codes when installing the fixture



Electrical current can cause painful shock, serious injury, or even death. Make sure you turn off the power supply, ground fixture(s), and make sure all electrical connections are correct and secured



This fixture must not be installed during rain, fog, or high humidity



Please allow the fixtures to run for 45 min before installing trim ring (see fixture preparation section for more details).



For use in IP67 installations.



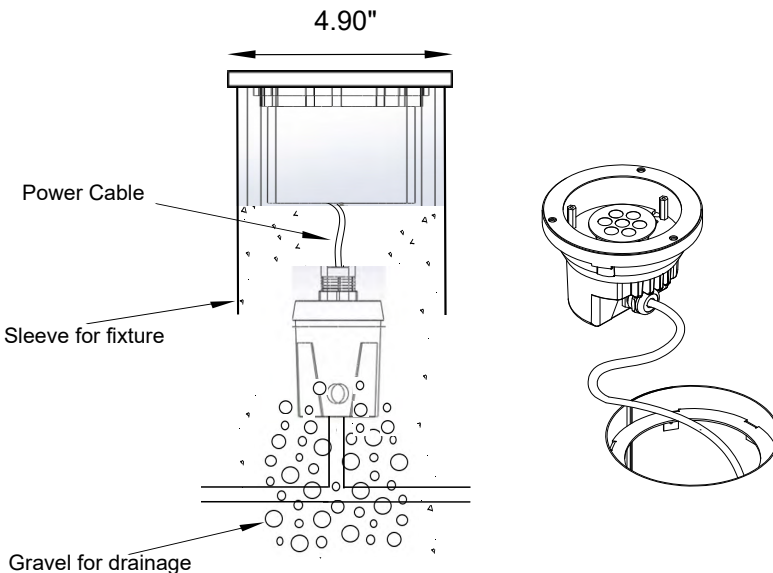
Keep the label of the original packaging if any eventual future claims are needed

Table of Contents

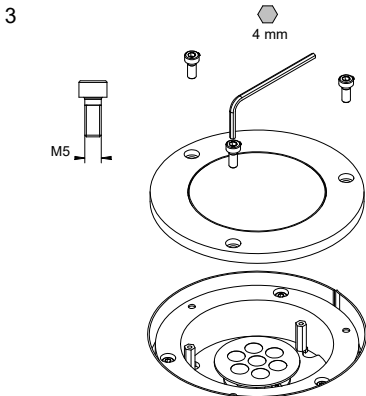
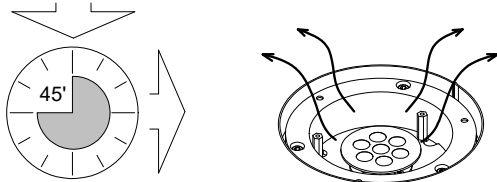
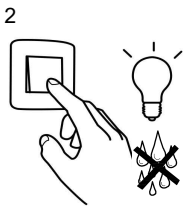
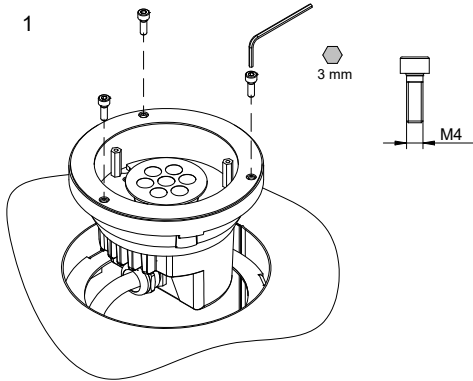
Installation Instructions	Pg.2
Fixture Preparation	Pg.3
Maintenance	Pg.4
Support Page	Pg.4

Installation Instructions

- Installers will dig out trenches to prep the sleeve
 - Put gravel in the trenches for the J-Box
 - Requirement by UL for adequate drainage
 - Safety net covers below the J-Box and the conduit pipe to warn diggers what is below
- Position of the J-Box must be an accessible depth between 8.5-11.5" required for maintenance
- Once the sleeve is installed, wire the power cable through the J-Box and connect the power cord to the fixture. **Make sure the power is not live before connecting power cord to line voltage through the J-Box.** Once power cord is connected, connect the power cord with the fixture. Be sure to secure the connection with water tight connectors to ensure no water leakage inside the connector.



Fixture Preparation



- Once fixture's connection is secured tightly and is ready to be mounted on the sleeve, place the fixture inside the sleeve and secure the fixture with 3 M4 screws to the sleeve.
- Once fixture is set, **power on fixture and let the fixture operate for 45 minutes before attaching glass with trim ring**
- When securing the trim ring with 3 M5 screws
 - Apply only 2.95ft-lbs (4Nm) of torque to efficiently secure the fixture. Make sure to provide a tight and even holding for the trim ring to ensure a water tight seal.

Maintenance

- This fixture was designed and manufactured for a durable, long lasting use with minimum care. To ensure the maximum lifespan of this product, we encourage our customer to provide a quality visual inspection of dirt, abnormalities, or signs of moisture inside or around the fixture every six months.
- If there are any visible sign of issues during the inspection, please open the fixture, wipe off any moisture inside the fixture and clean any of the dirt fixture with a soft cloth with cleaning solution around the trim ring and the ring of the fixture.
 - **D@5 G9`8-G7 CBB97 H`H<9` : -LHI F9`69: CF9`
7 @5 B-B;**
 - **8 C`BCH`GDF5 M5 BM7 @5 B-B; `GC @ H-CB`8-F97 H@M
CB`H<9`CDH7 G**
- Once finished with fixture maintenance, be sure to install the trim ring according to the trim installation directions (pg. 3).

Support

Any questions, problems, or comments you have please feel free to contact our Customer Service department during our business hours Monday-Friday 8am-5pm via:

Email: usaorders@targett.com

Phone: (714) 513-1991

Visit our website: <http://www.targett.us>