

# TARGETTI

## TITANO

### Compact Professional Inground LED Grazer

**Concept:** Semi-recessed grazing light effect fixture for white LEDs.  
**Housing:** Stainless steel body.  
**Materials:** Die-cast aluminum trim. Stainless steel installation sleeve.  
**Trim:** Painted Ferrite Grey anodized aluminium ring and cover. Ribbed glass lens for blade of light effect.  
**Optic:** High Efficiency multichip LED Emitter. Mono-, bi-, pluri-emissions.  
**Mounting:** Semi-recessed housing to mount in installation sleeve required (sold separately). Fixture includes screw down holes and stainless steel screws for attachment to installation sleeve.  
**Driver:** 120V Integrated non-dimming driver.  
**Installation:** Fixture mounts in installation 7.16" tall x 8.54" diameter sleeve. Fixture is provided with 6ft IP68 connector cable, direct burial brass ingrade jbox (required, sold separately).  
**Wattage:** 6W

**Color Temperature:** 3000°K / 4000°K  
**Lumens:**

	3000K	4000K
Mono-Emission	47Lm	53Lm
Bi-Emission	93Lm	106Lm
Pluri-Emissions	158Lm	181Lm

**Lumen Maintenance (L70):** 50,000hrs  
*Calculation for LED fixtures are based on measurements that comply with IES LM-80.*

**CRI:** 84  
**BUG:** B0-U1-G1 (mono-), B0-U2-G1 (bi-), B0-U2-G1 (pluri-)  
**Voltage:** 120 AC 50/60Hz

**IP:** IP67 rated  
**Load Rating:** Resistant to static loads up to 20KN in flush mounted cement and pavement installations.

**Certifications:** cULus listed Wet Location IP67 Tested as IP68  
 Tested in accordance with LM-79-08

**Warranty:** 5 year limited warranty  
 \* Up to 1 METER DEPTH of water for up to a maximum of 30 MINUTES



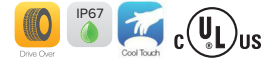
Mono-Emission



Bi-Emission

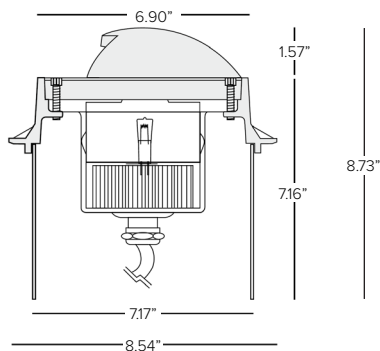


Pluri-Emission



PRODUCT CODE	DRIVER	TYPE	FINISH	WATTAGE	COLOR TEMP	+	INSTALLATION
TIT — Titano LED	ND — Non-dimming driver	MO — Mono Emission	FE — Ferrite Grey	L1 — 6W	30 — 3000K		Required (See Pg 2)
		BI — Bi-Emission			40 — 4000K		
		PL — Pluri-Emission					

### Views



# TARGETTI

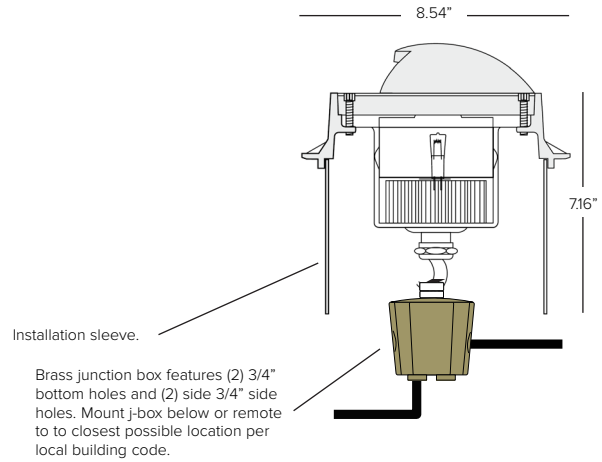
## TITANO

### INSTALLATION SLEEVE (REQUIRED)

<b>TITSLEEVE</b>	7.16" Stainless steel installation sleeve with die-cast painted collar
------------------	--

### INSTALLATION ACCESSORIES

<b>1DU2530</b>	Direct burial brass ingrade jbox <b>(REQUIRED one per fixture)</b>
----------------	---



### Photometric Information

MONO EMISSION			POLAR GRAPH	LCS GRAPH
Fixture Power	6W	6W		
Fixture Output	47Lm	53Lm		
Kelvin Temp	3000°K	4000°K		
Beam Spread	Mono-Emission			
I <sub>Max</sub>	3651cd/klm	3651cd/klm		
Efficacy	8 Lm/W	9 Lm/W		

BI-EMISSION			POLAR GRAPH	LCS GRAPH
Fixture Power	6W	6W		
Fixture Output	93Lm	106Lm		
Kelvin Temp	3000°K	4000°K		
Beam Spread	Bi-Emission			
I <sub>Max</sub>	1846cd/klm	1846cd/klm		
Efficacy	15.5 Lm/W	18 Lm/W		

PLURI-EMISSION			POLAR GRAPH	LCS GRAPH
Fixture Power	6W	6W		
Fixture Output	158Lm	181Lm		
Kelvin Temp	3000°K	4000°K		
Beam Spread	Pluri-Emission			
I <sub>Max</sub>	1020cd/klm	1020cd/klm		
Efficacy	26 Lm/W	30 Lm/W		