

PANTHEON 400 SERIES

Professional LED Suspension Mount Luminaire

Concept: Direct LED light suspension fixture.

Materials: Painted spun aluminium body. Integrated heat dissipator in die-cast aluminum.

Mounting: Complete with canopy and suspension cable with feeding cable, 15ft long.

Finish Options: Lamp shade available in 13 standard finishes.

Driver: Integral dual dimming 0-10V/Phase driver located in canopy.

Installation: Fixture to be installed according to local building codes by a certified electrician.

Wattage: 14W

Color Temperature: 3000°K

Lumens: 750Lm

Voltage: 120V-277V AC 50/60Hz

IP Rating: IP40

Certifications: cULus Damp Location Listed E488257

Warranty: 5 year limited warranty



PRODUCT CODE	SERIES	SHADE FINISH	COLOR TEMP
--------------	--------	--------------	------------

PAN — PANTHEON 400 — 400 PW — Plaster White 30 — 3000K

DB — Deep Black

BE — Bone

RS — Rose

OL — Olive

BK — Brick

SP — Sapphire

GD — Gold

PG — Pink Gold

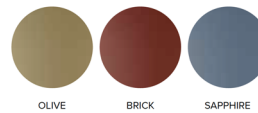
SV — Silver

HB — Heritage Brown

FR — Ferrite

CP — Copper

ELEGANT MATTE



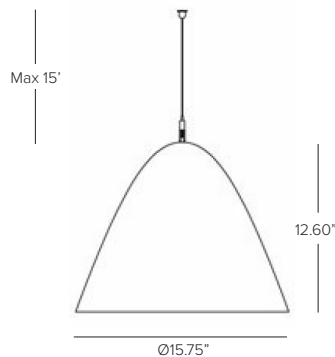
ELEGANT BRILLIANT



NATURE BRILLIANT



Views



TARGETTI

PANTHEON 400 SERIES

Photometry

