



INTELLISTRAND CABLE LIGHT

Key Features

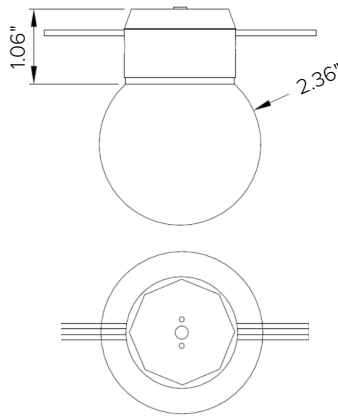
- 16 gauge conductive cable with factory attached sockets
- Available in 2300°K static warm white or addressable full color 24Bit RGB, individually addressable lights for dramatic full color lighting effects
- Lamp spacing available in 12" OC and 24" OC
- Secure clamp available for attaching to aircraft cable (by others up to 3/16" aircraft cable)
- Flat base can be easily mounted against a wall or ridged surface
- Pre-assembled to specific lengths with various IP68 connector options for project requirements and efficient power configuration
- Max continuous length: 50' max per run (12" OC)
100' max per run (24" OC)
- Multiple dimming options available

Low voltage cable light

Low voltage dual circuit cable light available in various spacing. Strand is capable of static Warm White or RGB. For indoor and outdoor lighting applications.



Dimensional Drawings



Details

Spacing	12" or 24" OC Socket Spacing
Color Temp	Available in 2300°K and RGB
Wattage	1.1W per socket
Wiring Options	Factory prepped outdoor IP68 end prep wiring options
Installation	Optional mounting clamps available for use with aircraft cable
Power Supply	Listed Class II 24 VDC power supply required
Listing	ETL listed
Warranty	3 year warranty

Ordering Guide

PRODUCT CODE	TYPE	WATTAGE	COLOR TEMP	SOCKET SPACING	VOLTAGE	+	POWER SUPPLY
IN — Intellistrand	CL — Cable Light	1 — 1.1W	WW — 2300K	12 — 12" OC	24 — 24VDC		
			FC ¹ — Full Color RGB	24 — 24" OC			

¹For use with electronic non-dimming driver only.

Mounting Accessories (Optional)



DLD-LS-WRAP

1/2" Diameter black spiral cable wrap for use with aircraft cable. To encase aircraft cable and DuraLED Light Cable for a clean 1 wire look, sold per foot.

Power Supplies (for white WW option only)

Product Code	Type	Wattage	Voltage	Dimmable	Listing	Dimensions
DEL-X-120-1-4-24	Electronic	96W / 1X4A**	90-305V AC / 24V DC	Non Dimmable	cULus	12"W X 12"L 4"D*
DEL-X-240-2-4-24		192W / 2X4A**				
DEL-X-320-3-4-24		288W / 3x4A**				
DEL-120-1-4-24		96W / 1X4A**				
DEL-X-120-1-4-24-D		96W / 1X4A**		Integral 0-10V Dimming Interface	cULus	12"W X 12"L 4"D*
DEL-X-240-2-4-24-D		192W / 2X4A**				
DEL-X-320-3-4-24-D		288W / 3x4A**				

* Dimensions include enclosure with mounting bracket

** 4A maximum current protection for each secondary circuit

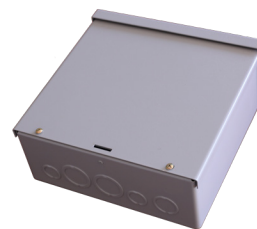
*** Constant voltage drivers 50HZ , voltage regulated with short circuit protection. operating temperature -40 C- 80° C

Electronic Drivers

For use with 0-10V interface (DLD-1-10) for secondary side dimming control. Generally used for programmable dimming levels for changing scenarios.



Electronic Driver



Electronic Driver Enclosure

Power Supplies (for RGB option only)

Product Code	Type	Wattage	Voltage	Dimmable	Listing	Dimensions
DEL-X-120-1-4-24-RGB	Electronic Power Supply with RGB Interface in NEMA3R Enclosure	96W / 1X4A**	90-305V AC / 24V DC	Non-Dimmable	cULus	10"W X 10"L 4"D*
DEL-X-240-2-4-24-RGB		192W / 2X4A**				
DEL-X-320-3-4-24-RGB		288W / 3x4A**				
DEL-X-120-1-4-24'	Electronic Power Supply in NEMA3R Enclosure	96W / 1X4A**				
DEL-X-240-2-4-24'		192W / 2X4A**				
DEL-X-320-3-4-24'		288W / 3x4A**				
DEL-120-1-4-24'	Electronic Stand Alone	96W / 1X4A**			UL/CE	2.67"W X 9.66"L 1.53"D

¹ Interface sold separately

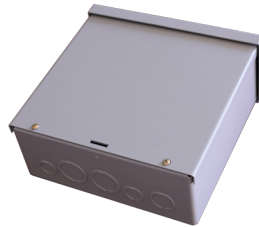
* Dimensions include enclosure with mounting bracket

** 4A maximum current protection for each secondary circuit

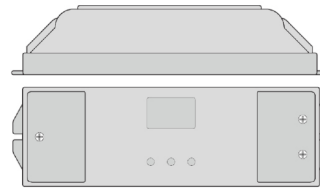
*** Constant voltage drivers 50HZ, voltage regulated with short circuit protection. operating temperature -40 C- 80° C



Electronic Driver



Electronic Driver
in Enclosure



ZXC-DMX
RGB Dimming Interface

Interface

Product Code	Application	Voltage	Type	Listing	Dimensions
ZXC-DMXW	Indoor	24V DC	RGB, RGBW or RGB+W Interface	cULus	6.60"L X 2.00"W X 0.87"D

Wall Touch Controller (Optional)

Product Code	Type	Application	Voltage	Listing	Dimensions	Number of DMX Channels	Number of areas	Number of scenes
ZKTPC-RGBW	DMX Preset Controller Touchpad	Indoor	5V DC	cULus	4.20"W X 5.75"H X 0.40"D	16	4	4
TGDMXSLESAU9	Stand Alone DMX Programmable Controller with Easy to Use Software Interface	Indoor	5.5V DC	ETL, UL	5.30"W X 5.50"H X 1.90"D	256	1	20



ZKTPC-RGB
DMX Controller



Slesa U9 Controller

System Layout Example Diagram

