



# DURATAPE™ 120

## IP65 ALL ENVIRONMENT

### 120VAC Line Voltage Tapelight

Energy Efficient line voltage LED flexible linear light strip for continuous consistent color in linear applications. Extremely flexible and adjustable lengths for varied architectural applications.

### Key Features

- Connects directly into line voltage by means of 120V two prong plug.
- Energy efficient LED flexible linear light strip for continuous constant color in linear applications
- Ideal for long length interior/exterior coves
- Pre-assembled to specific lengths with various connector options for project requirements and efficient power configuration. Product order lengths must be in 7 7/8" increments
- Shipped with choice of 2 prong 120V AC plug lead or single gang J-Box and free wire connection lead to accommodate application installation requirements
- Clean dimming down to 5% with ELV 120V dimming
- Max continuous length: up to 164' per run



### Fixture Data

Model	Efficacy* 3000°K Lm/Wt	Lm/Ft	Wt/Ft
DuraTape 120	74.35*	290	3.90

\* Meets Title 24 High efficacy rating.

### LED Data

Model	Wt/LED	Viewing Angle	Lifespan at 90% drive
DuraTape 120	0.10W	120°	50,000hrs

\* LEDs operating at 90% of LED manufacturers maximum current rating.

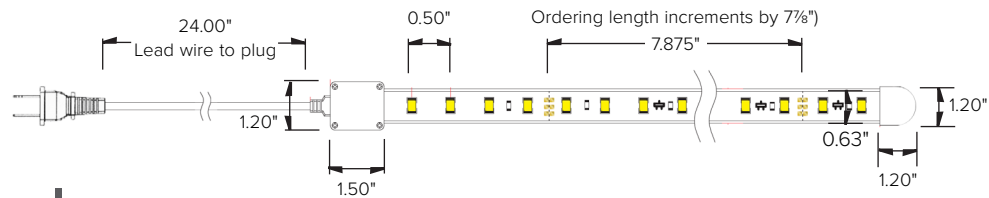
### Details

<b>Spacing</b>	0.50" OC LED Spacing
<b>LEDs</b>	24 LEDs per foot
<b>Color Temp</b>	Available in 2700°K, 3000°K and 3500°K
<b>Color Consistency</b>	Advanced LED binning with +/- 2-step MacAdam Ellipses
<b>CRI</b>	Available in +84 CRI
<b>Wiring Options</b>	Factory prepared wiring options (See Page 2)
<b>Mounting</b>	Includes installation-ready 3M tape adhesive for simplified installation directly to application surface
<b>Installation</b>	Mounting clips and power by connection to with factory attached two prong 120V AC wall socket.
<b>Power Supply</b>	120V AC Power. Each run length includes secondary fuse protection module at start of run.
<b>Listing</b>	UL Listed
<b>Compliance</b>	ROHS compliant
<b>Warranty</b>	3 year warranty

### Dimensional Drawings

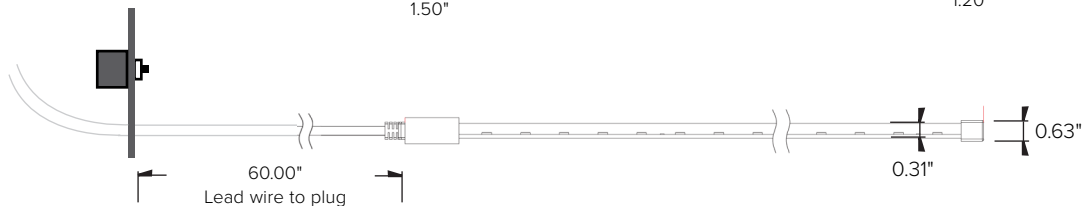
#### TYPE A PLUG

Shipped with 2 prong 120V AC Plug on 24" lead



#### TYPE B JCVR

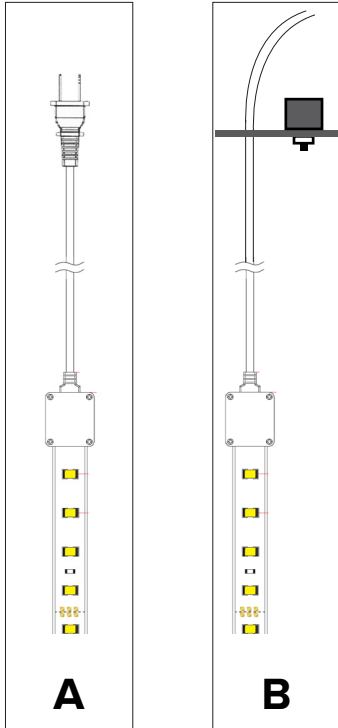
Shipped with single gang J-Box cover and secondary protection thermal breaker set to run length.



### Ordering Guide

PRODUCT CODE	VOLTAGE	IP RATING	COLOR TEMP	CRI
DL — Duratape™ 120 —	120VAC	A — IP65 All Environment	27 — 2700°K	SC — +84 CRI
			30 — 3000°K	
			35 — 3500°K	

## Wiring Options



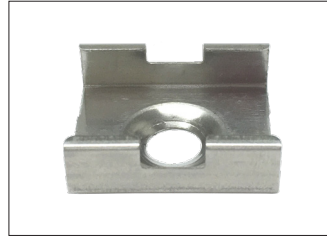
### A DL120-TYPEA

Lead wire prep. 24" Lead wire/dead end allows for connection to power at lead.

### B DL120-JCVR

Lead wire prep. 60" Lead wire with single gang indoor J-Box cover and secondary thermal breaker.

## Mounting Accessories



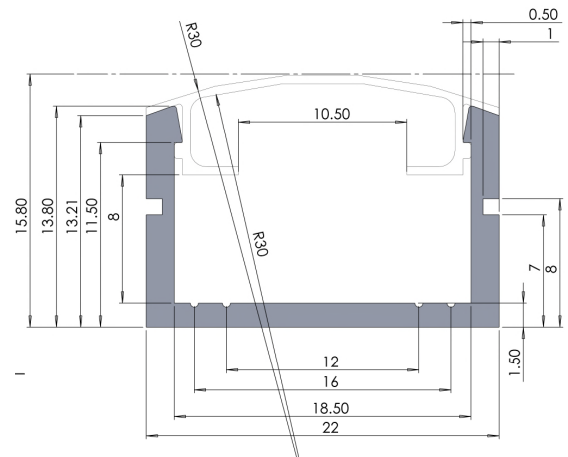
### DL120-CLPKT

Duratape120 mounting clips. Package of 10 each for 10ft section. #8 countersink screws not included.



### DL120-CLP

Duratape mounting clips. Package of 10 each for 5 ft section.



### DL120-CHAN-96

Duratape 120 Aluminum Mounting Channel shipped in 8 foot lengths.

### DL120-LENS-CL-96

Duratape 120 Lens Cover Clear shipped in 8ft lengths.

### DL120-LENS-F20-96

Duratape 120 Lens Cover Frosted 20% shipped in 8ft lengths.

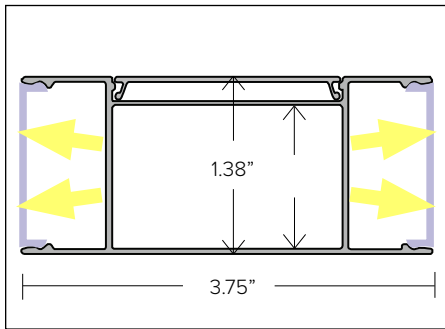
### DL120-LENS-F50-96

Duratape 120 Lens Cover Frosted 50% shipped in 8ft lengths.

### DL120-LENS-CI-96

Duratape 120 plastic lens cover for continuous illumination sold in 8ft lengths.

## Profiles

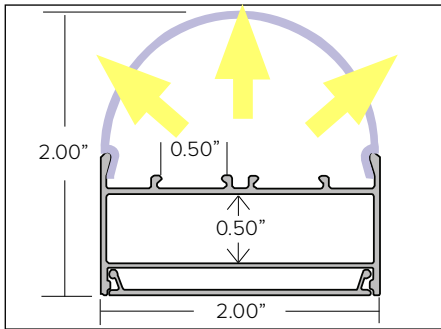
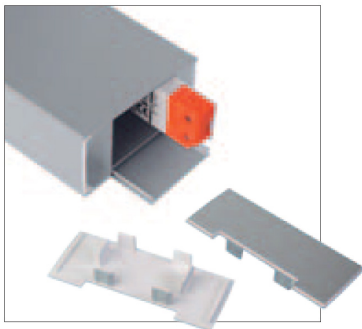


### PRDE

Surface mounted double emission aluminum profile with dual opal lenses. Dual tape illuminating (two runs of tape) in opposite directions. Available in 4' lengths.

### KTDEAP

Set of two end caps for double emission profile.

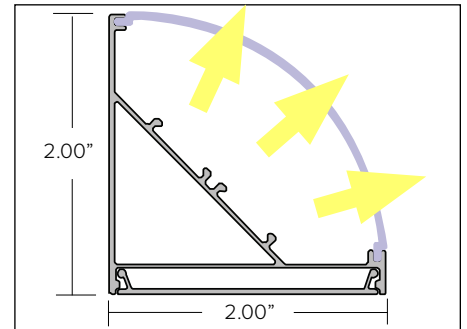
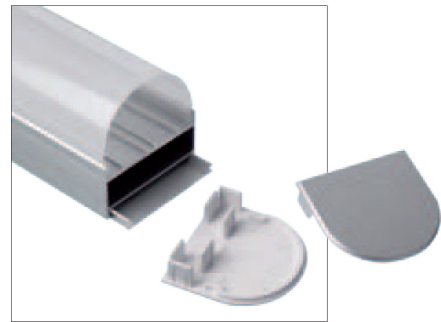


### PRDSAP

Surface mounted aluminum profile with dome opal lens. Dual tape illumination (two runs of tape). Available in 4' lengths.

### KTDSAP

Set of two end caps for dome profile.

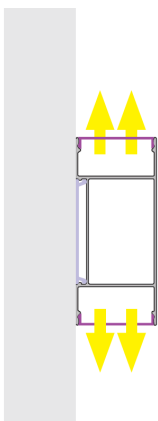
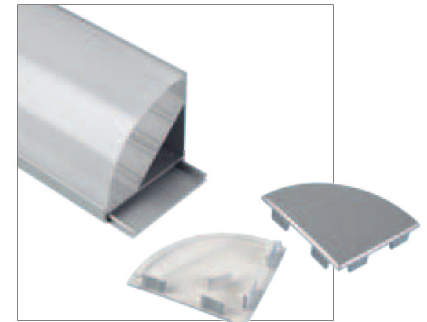


### PRDSAN

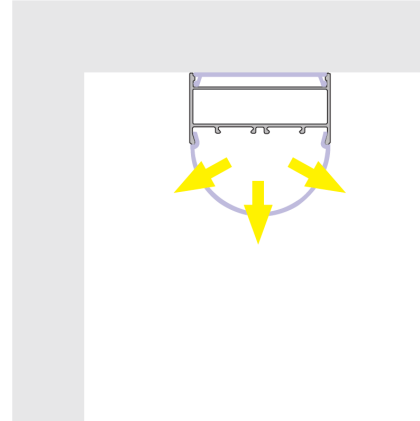
Surface mounted 45° aluminum profile with domed opal lens. Dual tape illumination (two runs of tape). Available in 4' lengths.

### KTDSAN

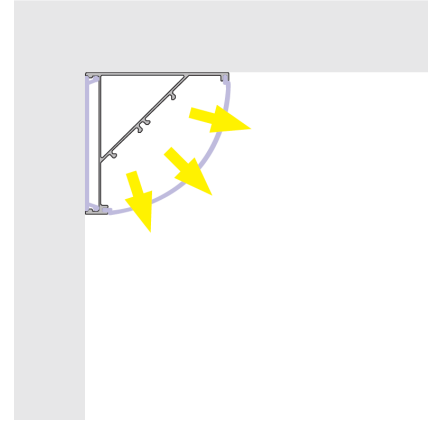
Set of two end caps for dome profile, mounting at 45°.



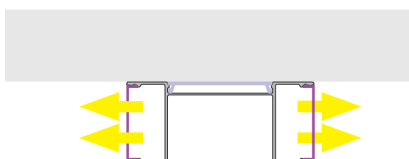
Surface Mount Wall



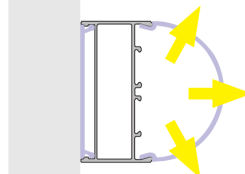
Surface Mount Ceiling



Surface Mount Corner Horizontal or Corner Vertical



Surface Mount Ceiling



Surface Mount Wall