

TARGETTI

STORE PROJECTOR

Professional LED Track Projector

Concept: Professional COB LED projector.

Housing: Optical chamber and power box in painted die-cast aluminium. Front ring for accessories in painted aluminium. Available in plaster white and deep black finishes.

Optics: High emission LED lamps. Convex faceted precision optics in high specularly metallized polycarbonate. "Scratch Proof Formula" treatment. Available in Spot, Flood, Medium Wide Flood or Wide Flood versions. A full range of optical accessories available.

Mounting: 3+1 circuit Nordic Pulse track, available in non-dimmable, phase dimmable and 0-10V dimmable options. The fixture can be vertically adjusted from 0° to 90° and horizontally up to 355° with secure locking.

Color Temperature: 3000K and 4000K standard

Driver: Integrated power supply available in non-dimmable, phase dimmable and 0-10V dimmable options.

Wattage: 23W and 37W

Lumens:

	84CRI			
	3000K		4000K	
	23W	37W	23W	37W
Spot 14° =	2282Lm	3326Lm	2357Lm	3436Lm
Flood 27° =	2274Lm	3314Lm	2349Lm	3423Lm
Medium Wide Flood 45° =	2333Lm	3400Lm	2409Lm	3512Lm
Wide Flood 59° =	2365Lm	3447Lm	2442Lm	3561Lm

Lumen Maintenance (L70): 50,000hrs

Calculation for LED fixtures are based on measurements that comply with IES LM-80.

CRI: 84CRI

Voltage: 120V AC 50/60Hz

IP Rating: IP20

Certifications: Indoor rated cULus listed

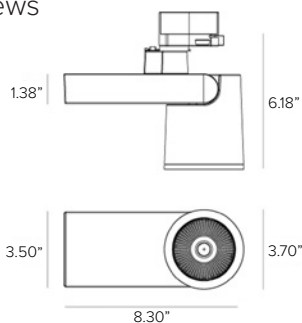
Tested in accordance with LM-79-08

Warranty: 5 year limited warranty



PRODUCT CODE	DRIVER	FIXTURE COLOR	WATTAGE	OPTICS	COLOR TEMP	CRI
STLP – STORE Projector	ND – Non-Dimming Driver	WH – Plaster White	L1 – 23W	SP – Spot 14°	30 – 3000K	84 – 84 CRI
	PD – Phase Dimming	DB – Deep Black	L2 – 37W	FL – Flood 27°	40 – 4000K	
	10 – 0-10V Dimming			MW – Medium Wide Flood 45°		
				WF – Wide Flood 59°		

Views



TARGETTI

STORE PROJECTOR

ACCESSORIES	
1T3727	Black holder ring <i>Required for use of all filters or louvers</i>
1T1712	Chromatic Filter - Red
1T1713	Chromatic Filter - Green
1T1714	Chromatic Filter - Blue
1T1715	Chromatic Filter - Yellow
1T1716	Chromatic Filter - Magenta
1T1777	Cold Tone Filter
1T1786	Gold Tone Filter
1T1759	Peach Tone Filter
1T1708	Blade of Light Filter
1T1709	Diffusion Lens
1T1711	Honeycomb Louver
1T3143	Honeycomb Louver
1T3432	Zoom
1T3142	Cut-off tube



1T3727



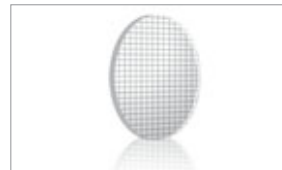
Chromatic filters



Tonal filters



1T1708



1T1709



1T1711



1T3143



1T3142



1T3432

TARGETTI

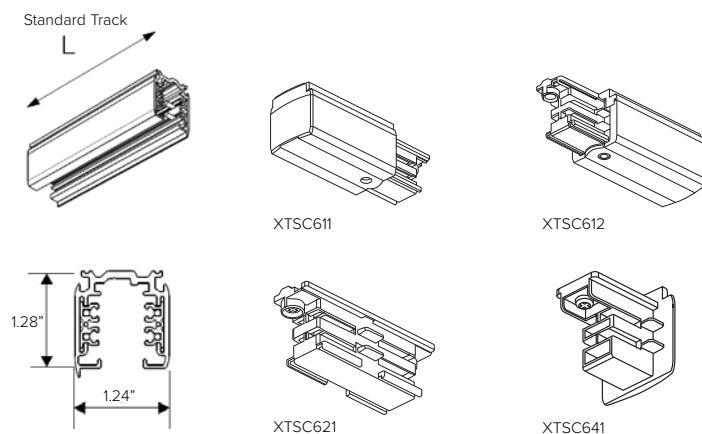
STORE PROJECTOR

120V NON-DIMMABLE, PHASE DIMMABLE & 0-10V DIMMABLE 3+1 CIRCUIT NORDIC PULSE TRACK

TRACK	
XTSC604-1	4ft surface mount track. Aluminum finish.
XTSC604-2	4ft surface mount track. Black finish.
XTSC604-3	4ft surface mount track. White finish.
XTSC608-1	8ft surface mount track. Aluminum finish.
XTSC608-2	8ft surface mount track. Black finish.
XTSC608-3	8ft surface mount track. White finish.

FEEDS AND CONNECTORS	
GES15-2	Outlet Box Cover. Black finish.
GES15-3	Outlet Box Cover. White finish.
XTSC611-1	Track Live End Feed. Aluminum finish.
XTSC611-2	Track Live End Feed. Black finish.
XTSC611-3	Track Live End Feed. White finish.
XTSC612-1	Track Reverse End Feed. Aluminum finish.
XTSC612-2	Track Reverse End Feed. Black finish.
XTSC612-3	Track Reverse End Feed. White finish.
XTSC614-1	Track Live Center Feed. Aluminum finish.
XTSC614-2	Track Live Center Feed. Black finish.
XTSC614-3	Track Live Center Feed. White finish.
XTSC621-1	Track Linear straight coupler. Aluminum finish.
XTSC621-2	Track Linear straight coupler. Black finish.
XTSC621-3	Track Linear straight coupler. White finish.
XTS41-1	Track Dead End. Aluminum finish.
XTS41-2	Track Dead End. Black finish.
XTS41-3	Track Dead End. White finish.
XTSV12	Track Bending Tool

MOUNTING AND SUSPENSION	
SKB12-1	Track 2 piece Ceiling Clamp. Grey finish.
SKB12-2	Track 2 piece Ceiling Clamp. Black finish.
SKB12-3	Track 2 piece Ceiling Clamp. White finish.
SKBT12-1	T-Bar Ceiling clamp. Grey finish.
SKBT12-2	T-Bar Ceiling clamp. Black finish.
SKBT12-3	T-Bar Ceiling clamp. White finish.
SKBX12-1	Recessed T-bar ceiling clamp. Grey finish.
SKBX12-2	Recessed T-bar ceiling clamp. Black finish.
SKBX12-3	Recessed T-bar ceiling clamp. White finish.
SKB30-1	Track Ceiling Cup. Grey finish.
SKB30-2	Track Ceiling Cup. Black finish.
SKB30-3	Track Ceiling Cup. White finish.
SKB31	Threaded rod, 1/4", 6-feet
SKB34/5m	Suspension wire, 15-feet
SPUS12-1	Stem & canopy kit, 3/8", 12-inch. Grey finish.
SPUS12-2	Stem & canopy kit, 3/8", 12-inch. Black finish.
SPUS12-3	Stem & canopy kit, 3/8", 12-inch. White finish.
SPUS18-1	Stem & canopy kit, 3/8", 18-inch. Grey finish.
SPUS18-2	Stem & canopy kit, 3/8", 18-inch. Black finish.
SPUS18-3	Stem & canopy kit, 3/8", 18-inch. White finish.
SPUS24-1	Stem & canopy kit, 3/8", 24-inch. Grey finish.
SPUS24-2	Stem & canopy kit, 3/8", 24-inch. Black finish.
SPUS24-3	Stem & canopy kit, 3/8", 24-inch. White finish.
SPUS48-1	Stem & canopy kit, 3/8", 48-inch. Grey finish.
SPUS48-2	Stem & canopy kit, 3/8", 48-inch. Black finish.
SPUS48-3	Stem & canopy kit, 3/8", 48-inch. White finish.



TARGETTI

STORE PROJECTOR

Photometry

SPOT			POLAR GRAPH	CONE OF LIGHT					
Fixture Power	23W	23W		(Ft)	Alpha=8.5°-8.5°	Omega=0.2°	Beta=8.5°-8.5°	Max	Med
Fixture Output	2282Lm	2357Lm		7.00				ftcd	ftcd
Kelvin Temp	3000°K	4000°K		14.00				430	279
Beam Spread	SP 14°	SP 14°		21.00				107	70
I _{Max}	7844cd/klm	7844cd/klm		28.00				48	31
Efficacy	99 Lm/W	103 Lm/W		35.00				27	17

FLOOD			POLAR GRAPH	CONE OF LIGHT					
Fixture Power	23W	23W		(Ft)	Alpha=13.7°-13.7°	Omega=0.2°	Beta=13.7°-13.7°	Max	Med
Fixture Output	2274Lm	2349Lm		5.00				ftcd	ftcd
Kelvin Temp	3000°K	4000°K		10.00				332	214
Beam Spread	FL 27°	FL 27°		15.00				83	53
I _{Max}	3087cd/klm	3087cd/klm		20.00				37	24
Efficacy	99 Lm/W	102 Lm/W		25.00				21	13

MEDIUM WIDE FLOOD			POLAR GRAPH	CONE OF LIGHT					
Fixture Power	23W	23W		(Ft)	Alpha=22.5°-22.5°	Omega=0.2°	Beta=22.5°-22.5°	Max	Med
Fixture Output	2333Lm	2410Lm		2.00				ftcd	ftcd
Kelvin Temp	3000°K	4000°K		4.00				1091	672
Beam Spread	MW 45°	MW 45°		6.00				273	168
I _{Max}	1655cd/klm	1655cd/klm		8.00				121	75
Efficacy	101 Lm/W	105 Lm/W		10.00				68	42

WIDE FLOOD			POLAR GRAPH	CONE OF LIGHT					
Fixture Power	23W	23W		(Ft)	Alpha=29.4°-29.4°	Omega=0.2°	Beta=29.4°-29.4°	Max	Med
Fixture Output	2365Lm	2443Lm		4.00				ftcd	ftcd
Kelvin Temp	3000°K	4000°K		8.00				190	106
Beam Spread	WF 59°	WF 59°		12.00				47	26
I _{Max}	1141cd/klm	1141cd/klm		16.00				21	12
Efficacy	103 Lm/W	106 Lm/W		20.00				12	7

TARGETTI

STORE PROJECTOR

Photometry

SPOT			POLAR GRAPH	CONE OF LIGHT					
Fixture Power	37W	37W		(Ft)	Alpha=8.8°-8.8°	0=0.0°	Beta=8.8°-8.8°	Max	Med
Fixture Output	3326Lm	3436Lm		7.00				ftcd	ftcd
Kelvin Temp	3000°K	4000°K		14.00				627	407
Beam Spread	SP 14°	SP 14°		21.00				157	102
I _{Max}	7845cd/klm	7845cd/klm		28.00				70	45
Efficacy	90 Lm/W	93 Lm/W	35.00				39	25	
							25	16	

FLOOD			POLAR GRAPH	CONE OF LIGHT					
Fixture Power	37W	37W		(Ft)	Alpha=13.7°-13.7°	0=0.0°	Beta=13.7°-13.7°	Max	Med
Fixture Output	3314Lm	3423Lm		6.00				ftcd	ftcd
Kelvin Temp	3000°K	4000°K		12.00				336	216
Beam Spread	FL 27°	FL 27°		18.00				84	54
I _{Max}	3087cd/klm	3087cd/klm		24.00				37	24
Efficacy	99 Lm/W	93 Lm/W	30.00				21	14	
							13	9	

MEDIUM WIDE FLOOD			POLAR GRAPH	CONE OF LIGHT					
Fixture Power	37W	37W		(Ft)	Alpha=22.3°-22.3°	0=0.0°	Beta=22.3°-22.3°	Max	Med
Fixture Output	3400Lm	3512Lm		5.00				ftcd	ftcd
Kelvin Temp	3000°K	4000°K		10.00				254	157
Beam Spread	MW 45°	MW 45°		15.00				64	39
I _{Max}	1655cd/klm	1655cd/klm		20.00				28	17
Efficacy	92 Lm/W	95 Lm/W	25.00				16	10	
							10	6	

WIDE FLOOD			POLAR GRAPH	CONE OF LIGHT					
Fixture Power	37W	37W		(Ft)	Alpha=29.4°-29.4°	0=0.0°	Beta=29.4°-29.4°	Max	Med
Fixture Output	3447Lm	3561Lm		4.00				ftcd	ftcd
Kelvin Temp	3000°K	4000°K		8.00				277	154
Beam Spread	WF 59°	WF 59°		12.00				69	39
I _{Max}	1142cd/klm	1142cd/klm		16.00				31	17
Efficacy	93 Lm/W	96 Lm/W	20.00				17	10	
							11	6	