

TARGETTI

STORE MINI GIMBAL

Adjustable Recessed LED Projector Downlight

Concept: Professional single COB LED in small aperture 3" recessed adjustable downlight.

Housings: Non IC plaster frame or IC/Air tight housing available.

Materials: Painted die-cast aluminium projector body and external ring. Polycarbonate internal ring. Available in black and white. Gimbal System to adjust the optical unit 30° vertically and 355° horizontally.

Optics: Primary optical assembly complete with metal precision optic with convex facets (SP, FL, MWF and WFL) or methacrylate lens (NSP) only.

Mounting: Tool-free spring-clip mounting system into Targetti recessed housings.

Driver: Driver available as Electronic Phase or 0-10V dimmable. Also available with EldoLED 0-10V, Eco (1%) and Solo (0.1%) dimmable drivers

Wattage: 5W, 14W and 21W standard

Color Temperature: 3000K and 4000K standard

Lumen Maintenance (L70): 50,000hrs

Calculation for LED fixtures are based on measurements that comply with IES LM-80.

Voltage: 120 or 277V AC 50/60Hz, 120V or 277V must be specified for correct thermal protector.

IP Rating: IP20

Certifications: Damp rated cULus listed to UL1598 & UL8750

IC/Air tight housing version is Chicago Plenum Rated.

Tested in accordance with LM-79-08

Warranty: 5 year limited warranty

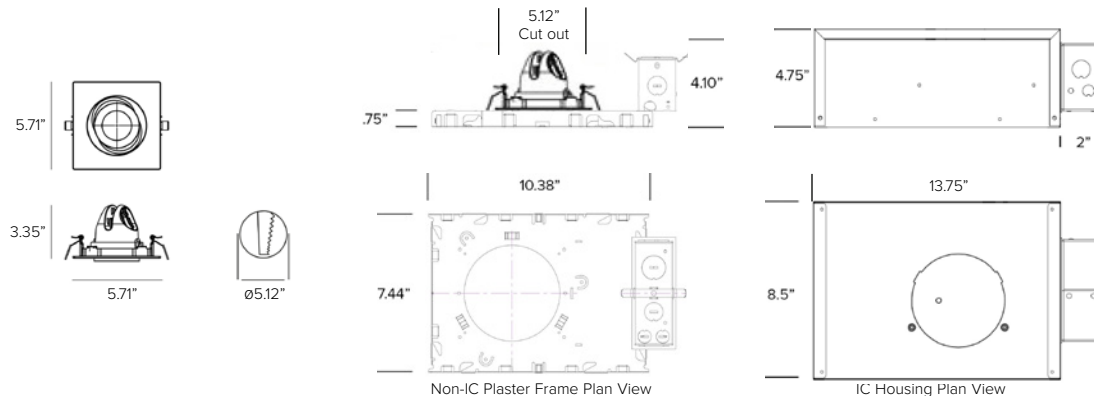


Lumens:

	5W		14W		21W	
	3000K	4000K	3000K	4000K	3000K	4000K
Spot 9° =	163Lm	173Lm	-	-	-	-
Spot 15° =	-	-	889Lm	928Lm	-	-
Flood 30° =	-	-	1199Lm	1239Lm	-	-
Flood 24° =	-	-	-	-	1641Lm	1695Lm
Medium Wide Flood 48° =	-	-	1386Lm	1432Lm	1860Lm	1922Lm
Wide Flood 60° =	-	-	-	-	1804Lm	1864Lm

PRODUCT CODE	FIXTURE COLOR	DRIVER	OPTICS	WATTAGE	COLOR TEMP	CRI	HOUSING	VOLTAGE
STMG – STORE Mini Gimbal	WH – Plaster White	EP ¹ – Electronic Phase Dimmable	NS – Narrow Spot 9°	L1 – 5W	30 – 3000K	84 – 84 CRI	NC – Non-IC Plaster Frame	1 – 120
	DB – Deep Black	10 – 0-10V	SP – Spot 15°	L2 – 14W	40 – 4000K		IC – IC/Air Tight Housing	2 – 277
		E1 – Eldo 1%	FL – Flood 30°					
		E0 – Eldo 0.1%	MW – Medium Wide Flood 48°					
		¹ Electronic phase dimmable available for 120V only. [*] Lutron 1% ECO system driver available upon request.	FL – Flood 24°	L3 – 21W				
			MW – Medium Wide Flood 48°					
			WF ² – Wide Flood 60°					

Views



ACCESSORIES	
49881	Chromatic Filter - Red
49882	Chromatic Filter - Green
49886	Chromatic Filter - Blue
49887	Chromatic Filter - Yellow
49959	Chromatic Filter - Magenta
1T1745	Cold Tone Filter
1T1748	Gold Tone Filter
1T1751	Peach Tone Filter
1T4721	Blade of Light Filter
1T4322	Honeycomb Louver
1T4325	Asymmetric Screen
1T4324	Zoom



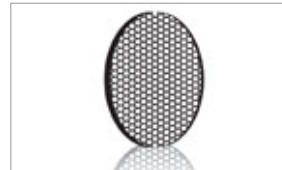
Chromatic filters



Tonal filters



1T4721



1T4322



1T4325



1T4324

TARGETTI

STORE MINI GIMBAL

Photometry

NARROW SPOT			POLAR GRAPH		CONE OF LIGHT					
Fixture Power	5W	5W			(Ft)	Alpha=4.2°=4.2°	0=0.0°	Beta=4.2°=4.2°	Max	Med
CRI	84 CRI	84 CRI			5.00		188	124		
Fixture Output	163Lm	173Lm			10.00		47	31		
Kelvin Temp	3000°K	4000°K			15.00		21	14		
Beam Spread	NSP 9°	NSP 9°			20.00		12	8		
I _{Max}	22178cd/klm	22178cd/klm			25.00		8	5		
Efficacy	33 Lm/W	35 Lm/W								

SPOT			POLAR GRAPH		CONE OF LIGHT					
Fixture Power	14W	14W			(Ft)	Alpha=7.0°=7.0°	0=0.0°	Beta=7.0°=7.0°	Max	Med
CRI	84 CRI	84 CRI			6.00		313	206		
Fixture Output	889Lm	928Lm			12.00		78	51		
Kelvin Temp	3000°K	4000°K			18.00		35	23		
Beam Spread	SP 14°	SP 14°			24.00		20	13		
I _{Max}	9470cd/klm	9470cd/klm			30.00		13	8		
Efficacy	64 Lm/W	66 Lm/W								

FLOOD			POLAR GRAPH		CONE OF LIGHT					
Fixture Power	14W	14W			(Ft)	Alpha=14.0°=14.0°	0=0.0°	Beta=14.0°=14.0°	Max	Med
CRI	84 CRI	84 CRI			5.00		178	112		
Fixture Output	1199Lm	1239Lm			10.00		44	28		
Kelvin Temp	3000°K	4000°K			15.00		20	12		
Beam Spread	Flood 30°	Flood 30°			20.00		11	7		
I _{Max}	2627cd/klm	2627cd/klm			25.00		7	4		
Efficacy	86 Lm/W	89 Lm/W								

TARGETTI

STORE MINI GIMBAL

Photometry

MEDIUM WIDE FLOOD			POLAR GRAPH	CONE OF LIGHT		
Fixture Power	14W	14W		(Ft)	Max	Med
CRI	84 CRI	84 CRI		5.00	90	54
Fixture Output	1386Lm	1432Lm		10.00	23	14
Kelvin Temp	3000°K	4000°K		15.00	10	6
Beam Spread	MWF 48°	MWF 48°		20.00	6	3
IMax	1372cd/klm	1372cd/klm		25.00	4	2
Efficacy	99 Lm/W	102 Lm/W				

MEDIUM WIDE FLOOD			POLAR GRAPH	CONE OF LIGHT		
Fixture Power	21W	21W		(Ft)	Max	Med
CRI	84 CRI	84 CRI		5.00	121	73
Fixture Output	1860Lm	1922Lm		10.00	30	18
Kelvin Temp	3000°K	4000°K		15.00	13	8
Beam Spread	MWF 48°	MWF 48°		20.00	8	5
IMax	1372cd/klm	1372cd/klm		25.00	5	3
Efficacy	89 Lm/W	92 Lm/W				

WIDE FLOOD			POLAR GRAPH	CONE OF LIGHT		
Fixture Power	21W	21W		(Ft)	Max	Med
CRI	84 CRI	84 CRI		5.00	88	48
Fixture Output	1804Lm	1864Lm		10.00	22	12
Kelvin Temp	3000°K	4000°K		15.00	10	5
Beam Spread	WF 60°	WF 60°		20.00	5	3
IMax	976cd/klm	976cd/klm		25.00	4	2
Efficacy	86 Lm/W	89 Lm/W				