

## STILO PATH

### Professional Pathway LED Bollard

**Concept:** Direct emission LED Bollard Luminaire.

**Housing:** Die-cast aluminum independently sealed LED housing and heat sink.

**Materials:** Powder coated in ferrite finish anodized extruded aluminum body.

**Optics:** High efficiency anodized aluminium reflector with convex facets and high reflectance assures a higher illuminance uniformity

**Mounting:** 316L grade stainless steel base and stainless steel anti-theft screws (special wrench included).

**Installation:** Pre-cabled with 6' SJ00W 18-3 cable (second 18-3 plenum cable for 0-10V dimmable version). Fixture is provided with 6ft IP68 connector cable, direct burial brass ingrade jbox (required, sold separately).

**Driver:** Watertight optical unit with an IP66 plug for rapid connection. IP68 integrated power supply, box fitted with IP68 watertight connectors.

**Finish:** Ferrite Grey

**Dimming:** Non-Dimmable, Electronic Phase or 0-10V Dimmable

**Wattage:** 14W (800mm) and 24W (1100mm) standard

**Color Temperature:** 3000°K / 4000°K

**Lumens:**     **14W**     **24W**

3000K = 1015Lm 1650Lm

4000K = 1049Lm 1705Lm

**Lumen Maintenance (L70):** 50,000hrs

*Calculation for LED fixtures are based on measurements that comply with IES LM-80.*

**CRI:** 84

**Voltage:** Universal Voltage 120-277V AC 50/60Hz

**BUG:** B1-U0-G0

**Distribution:** Type II

**IK Rating:** IK10

**IP Rating:** IP67

**Certifications:** cULus listed Wet Location

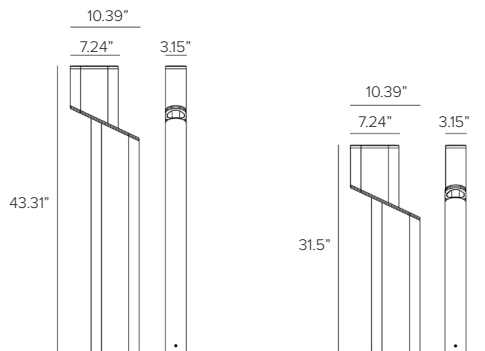
Tested in accordance with LM-79-08

**Warranty:** 5 year limited warranty



PRODUCT CODE	TYPE	DRIVER	HEIGHT	WATTAGE	COLOR TEMP	CRI	+	INSTALLATION
ST — Stilo	PH — Path	ND — Non-Dimmable	80 — 800mm	L1 — 14W	30 — 3000K	84 — 84 CRI		
		EP — Electronic Phase Dimmable	11 — 1100mm	L2 — 24W	40 — 4000K			
		10 — 0-10V Dimmable						

### Views



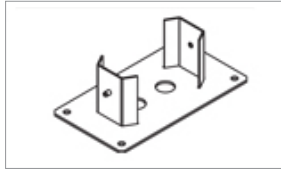
# TARGETTI

## STILO PATH

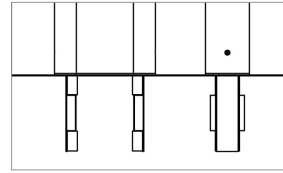
---

### MOUNTING (REQUIRED) - CHOOSE 1

<b>1E2564</b>	Mounting Plate
<b>CONSULT FACTORY</b>	Ground anchor for direct burial available instead of mounting plate



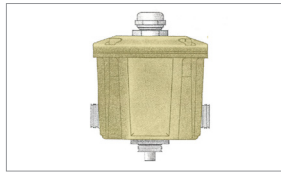
1E2564



Ground Anchor

### INSTALLATION (REQUIRED)

<b>1DU2530</b>	Direct burial brass ingrade jbox <b>(REQUIRED)</b>
<b>1E2495</b>	Tool - Torx head TX30



1DU2530



1E2495

# TARGETTI

## STILO PATH

### Photometry

