

TARGETTI

MERCURE MINI RGB

Recessed linear LED luminaire

Concept: Inground linear fixture for low intensity multichip full color RGB LED.

Housing: Die-cast aluminum body.

Materials: Die-cast aluminium heat sink, and tempered glass.

Optic: White silk screen printed safety glass

Installation: Cabled with SJ00W 18-4 cable and input/output watertight IP68 Quick Disconnect connectors. See page 2 for Inline connection configurations.

Mounting: Suitable for inline installation, to be installed with insertion box.

Driver: Remote Class II 110V-277VAC to 24VDC electronic power supply and RGB/DMX Interface.

Wattage: 9W

Color Temperature: RGB

Lumens: RGB Full Color

83Lm

Lumen Maintenance (L70): 50,000hrs

Calculation for LED fixtures are based on measurements that comply with IES LM-80.

CRI: 84

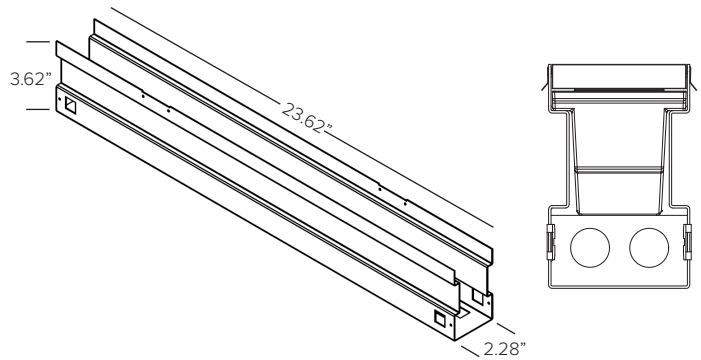
Voltage: 24V DC

IP: IP67

Load Rating: Resistant to static loads up to 12KN and dynamic loads up to 20KN in flush mounted cement and pavement installations.

Certifications: UL Class II Wet Location Listed
Tested in accordance with LM-79-08

Warranty: 5 year limited warranty



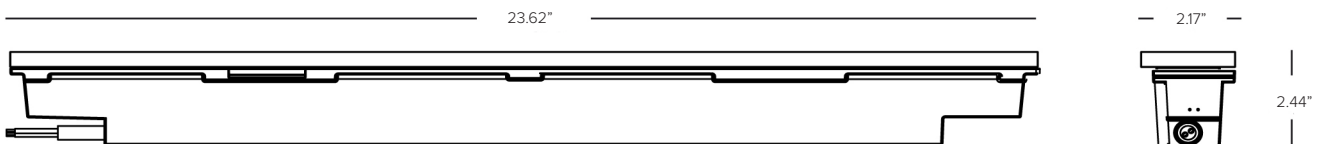
PRODUCT CODE	TYPE	DRIVER	OUTPUT	COLOR	CABLE CONFIG.	+	INSERTION SLEEVE
--------------	------	--------	--------	-------	---------------	---	------------------

M — Mercure M — Mini RP — Remote Power 09 — 9.0W RGB — RGB Color Changing

L — Lead
C — Center
E — End
S — Solo

³ See Page 2 for inline cable configurations

Views



TARGETTI

MERCURE MINI RGB

INSTALLATION (REQUIRED)

1E2382

Insertion Box 23¹¹/₁₆"L x 2¹/₄"W x 3⁵/₈"H

CONNECTION CABLES

MMRGGLEAD-xx

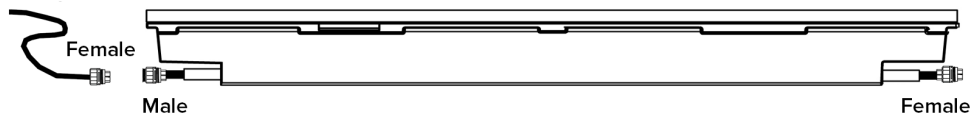
IP68 Additional lead cable, direct burial fixture cable with IP68 female 3 socket connector. Additional lead cables sold in 2 foot increments, from 12 foot (**MMRGGLEAD-12**) to 80 foot (**MMRGGLEAD-80**).

MMRGBJUMP-xx

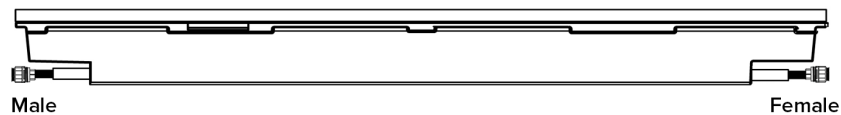
IP68 Connector cord, 2ft direct burial cable for fixture to fixture connection with IP68 male 3 socket connector and IP68 female 3-pin connector. Connector cords sold in 2 foot increments, from 2 foot (**MMRGBJUMP-02**) to 20 foot (**MMRGBJUMP-20**).

Cable Connection Options

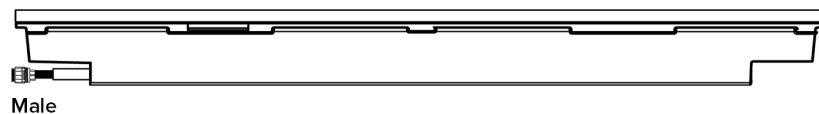
Fixture code: mL
Lead Fixture



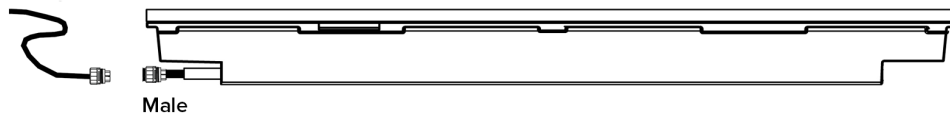
Fixture code: mC
Center Fixture



Fixture code: mE
End Fixture



Fixture code: mS
Solo Fixture



9W, 24V

A maximum of 9 fixtures can be attached together on a single Class 2, 4 amp circuit output.

TARGETTI

MERCURE MINI RGB

Power Supplies (REQUIRED)

Power Supplies	Type	Max Fix. Per Driver	Wattage	Voltage	Dimmability	Listing	Dimensions
DEL-X-120-1-4-24-RGB	Electronic Power Supply with RGBW Interface in NEMA3R Enclosure	9	96W / 1X4A**	90-305V AC / 24V DC	Non-Dimmable	cULus	12"W X 12"L 4"D*
DEL-X-240-2-4-24-RGB		18 <i>two rows of 9ea</i>	192W / 2X4A**				
DEL-X-320-3-4-24-RGB		27 <i>three rows of 9ea</i>	288W / 3x4A**				
DEL-X-120-1-4-24¹	Electronic Power Supply in NEMA3R Enclosure	9	96W / 1X4A**				
DEL-X-240-2-4-24¹		18 <i>two rows of 9ea</i>	192W / 2X4A**				
DEL-X-320-3-4-24¹		27 <i>three rows of 9ea</i>	288W / 3x4A**				
DEL-120-1-4-24²	Electronic Stand-alone <i>(Listed Enclosure Provided by Others)</i>	9	96W / 1X4A**			UR Class II	2.67"W X 9.66"L 1.53"D

¹ Interface sold separately.

² Installation of transformer must be compliant to Class II installation standards. Refer to NEC and local building code requirements.

* Dimensions include enclosure with mounting bracket.

** 4A maximum current protection for each secondary circuit.

*** Constant voltage drivers 50/60HZ, voltage regulated with short circuit protection. Operating temperature -40 C- 80° C.

Interface	Type	Voltage	Listing	Dimensions	Dist. Net
ZKC-DMXW	RGB, RGBW or RGB+W Interface	24V DC	cULus	6.60"L X 2.00"W X 0.87"D	\$85.00

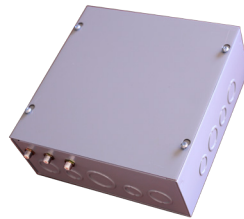
Wall Touch Controller (Optional)	Type	Application	Voltage	Listing	Dimensions	# of DMX Channels	Number of Areas	Number of Scenes
TGDMXSLES AU9	Stand-alone DMX Programmable Controller with Easy to Use Software Interface	Indoor Only	5.5V DC	ETL, UL	5.3"W x 5.5"H x 1.9D	256	1	20

Electronic Drivers

For use with or without 0-10V interface (DLD-1-10) for secondary side dimming control. Generally used for programmable dimming levels for changing scenarios.



Electronic Stand-alone Driver



Enclosure with Electronic Driver

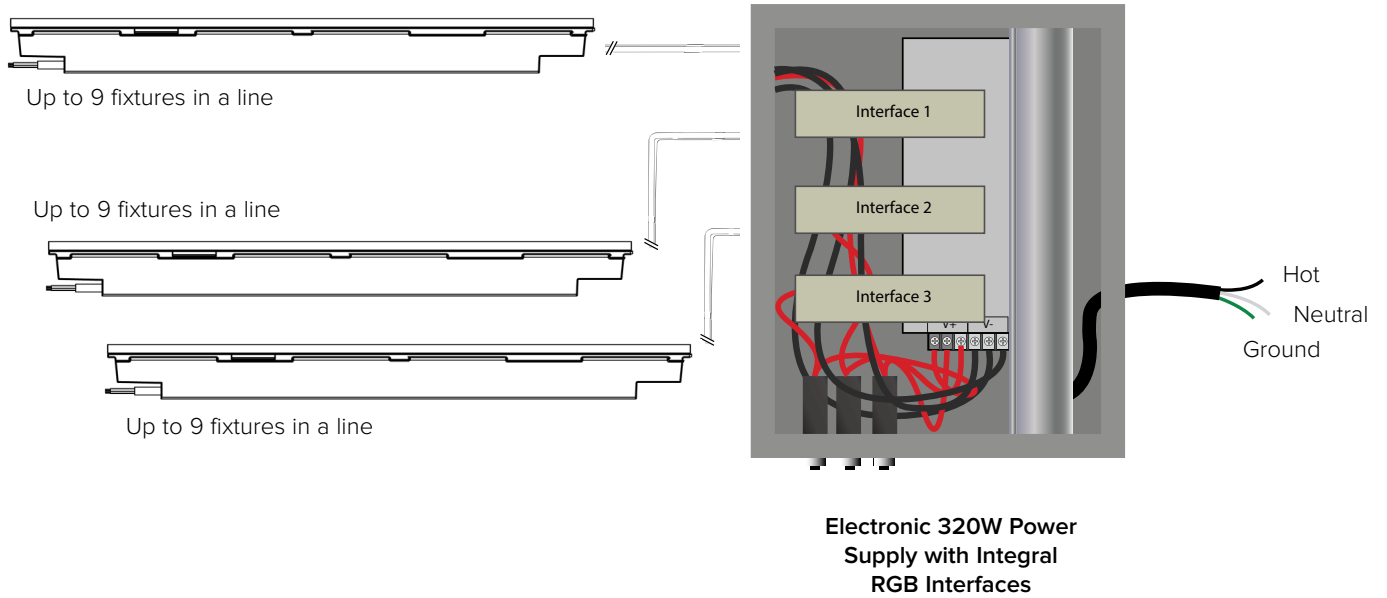


TGDMXSLES AU9 Sles U9 Controller

TARGETTI

MERCURE MINI RGB

System Layout Example Diagram



Photometrics

