

# TARGETTI

## KEPLERO MINI GIMBAL Performance Precision Optic Professional Inground LED Fixture

**Concept:** 4 LED projector incorporating maximum precision and control for specific aimed illumination of objects.

**Housing:** 8" tall x 6.625" diameter die-cast aluminum housing.

**Materials:** Anodized and powder coated black die-cast aluminum heat sink body. PVC installation sleeve and stainless steel (AISI316L) trim ring with extra clear glass.

**Trim:** Ultra flat round or square decorative rings, with beveled edge in brushed, natural or bronze finishes. Features tamper-proof Torx screws.

**Optic:** 4 LED gimbal optical system with two different beam spreads; Narrow Spot 11° and Flood 31°. Adjustability: 20° tilt on the vertical axis and rotates 350° on the horizontal plane with integrated locking system. with integrated locking system.

**Mounting:** Flush and semi-flush installation sleeves or optional raised installation tube for landscape. Fixture includes screw down holes and stainless steel screws for attachment to installation sleeve. Includes optional stainless steel L brackets for support mounting, installation sleeve (required) for flush or semi-flush mounting.

**Driver:** Integrated universal voltage IP68 electronic driver complete with watertight IP68 connector cable (0-10V dimming on request).

**Installation:** Fixture flush mount installation includes 8" tall x 6.625" diameter sleeve, extension pipe for wire slack and accessibility. Pre-cabled with 6ft IP68 connector cable, direct burial brass ingrade jbox (required, sold separately).

**Wattage:** 11W

**Color Temperature:** 3000°K / 4000°K

**CRI:** 84 CRI

**Lumen Maintenance (L70):** 50,000hrs

*Calculation for LED fixtures are based on measurements that comply with IES LM-80.*

**Voltage:** Universal Voltage 120-277V AC 50/60Hz

**IP:** IP68\*\*

**Load Rating:** Resistant to static loads up to 20KN in flush mounted cement and pavement installations.

**Certifications:** cULus listed Wet Location

Tested in accordance with LM-79-08

**Warranty:** 5 year limited warranty

\* Up to 1 METER DEPTH of water for up to a maximum of 30 MINUTES

\*\* Not suitable for submersible installations



KEPLERO® MINI GIMBAL with Clear Lens



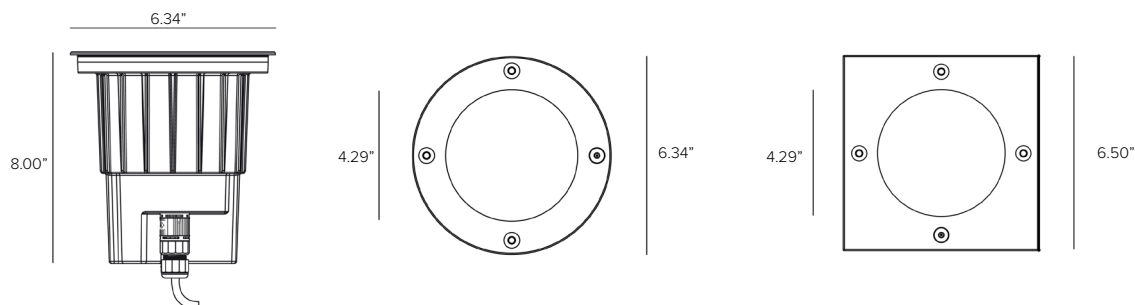
| Lumens:     | 3000°K | 4000°K |
|-------------|--------|--------|
| Spot 11° =  | 613Lm  | 649Lm  |
| Flood 28° = | 572Lm  | 607Lm  |

| PRODUCT CODE           | DRIVER                  | TYPE         | OPTICS         | WATTAGE  | COLOR TEMP | + | TRIM & INSTALLATION |
|------------------------|-------------------------|--------------|----------------|----------|------------|---|---------------------|
| KPLM -<br>KEPLERO Mini | ND - Non-dimming driver | GMB - Gimbal | SP - Spot 11°  | L1 - 11W | 30 - 3000K | + | Required (See Pg 2) |
|                        | 10 - 0-10V Dimming      |              | FL - Flood 31° |          | 40 - 4000K |   |                     |

**QUICK SHIP** KPLM-ND-GMB-SP-L1-30 + 1E2525 + 1DU2521 + 1DU2530\*

\* Lead time for quick ship fixtures is 1-2 weeks from processed PO date. Consult factory for quantities of over 20 fixtures to confirm lead time.

### Views

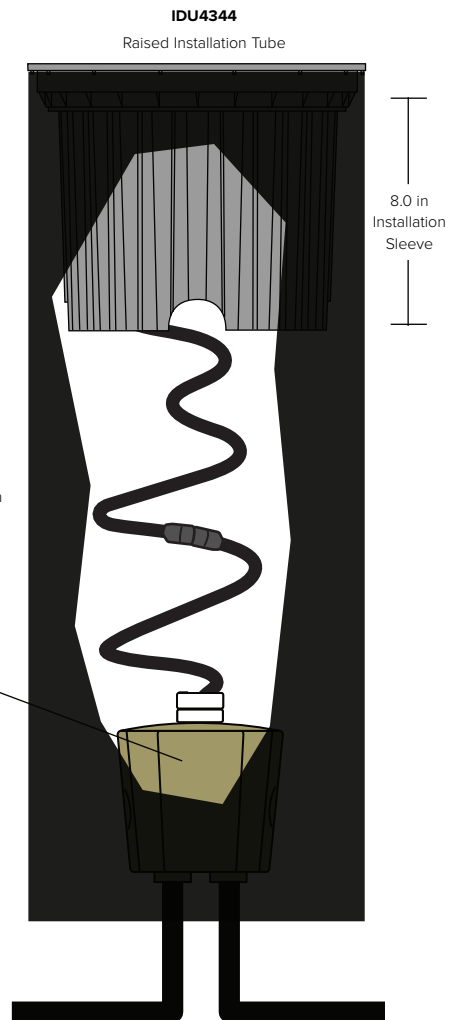
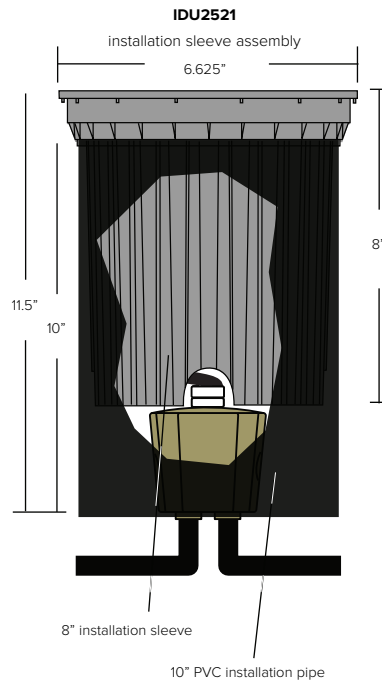


# TARGETTI

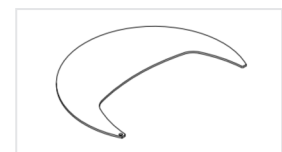
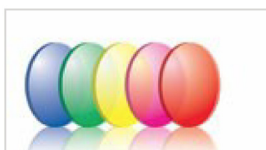
## KEPLERO MINI GIMBAL

| TRIM RING (REQUIRED) - CHOOSE 1 |  |
|---------------------------------|--|
| 1E2525                          | Round decorative brushed stainless steel ring. (Stainless steel AISI316L)  |
| 1DU2525B                        | Round decorative ring bronze (Stainless steel AISI316L)                    |
| 1E2526                          | Square decorative brushed stainless steel ring. (Stainless steel AISI316L) |
| 1DU2526B                        | Square decorative ring bronze (Stainless steel AISI316L)                   |

| INSTALLATION SLEEVE (REQUIRED) - CHOOSE 1 |  |
|---|--|
| 1DU2521                                   | Round 8" Installation sleeve for flushed finish with 10" installation outer pipe                                     |
| 1DU2522                                   | Squared 8" installation sleeve for flush finish with 10" PVC installation outer pipe                                 |
| 1DU4344                                   | Stainless steel raised installation sleeve 36" - Black (Field cuttable to 23" above ground) includes 8" inner sleeve |



| INSTALLATION ACCESSORIES |  |
|--------------------------|--|
| 1DU2530                  | Direct burial brass ingrade jbox <b>(REQUIRED one per fixture)</b> |
| 1E2495                   | Anti-vandal torx key. Suggested one per 5 fixture                  |
| 1E2524                   | Fixture maintenance removal handle: Helpful one per 10 fixtures    |
| 1E0388                   | Glass removal tool: Helpful one per 20 fixtures                    |



| ACCESSORIES |                            |
|-------------|----------------------------|
| 1T1712      | Chromatic Filter - Red     |
| 1T1713      | Chromatic Filter - Green   |
| 1T1714      | Chromatic Filter - Blue    |
| 1T1715      | Chromatic Filter - Yellow  |
| 1T1716      | Chromatic Filter - Magenta |
| 1T1777      | Cold Tone Filter           |
| 1T1786      | Gold Tone Filter           |
| 1T1759      | Peach Tone Filter          |
| 1T1708      | Blade of Light Filter      |
| 1T1711      | Honeycomb Louver           |
| 1E2523      | Anti-glare shutter         |

Brass junction box features (2) 3/4" bottom holes and (2) side 3/4" side holes.

# TARGETTI

## KEPLERO MINI GIMBAL

### Photometrics

