

TARGETTI

CCT LED ARCHITECTURAL WALL WASH

6" Professional Wall Wash LED Downlight

Concept: Professional single COB LED in 6" aperture recessed wall washer downlight.

Housings: Non-IC plaster frame or IC/Airtight housing available.

Materials: Painted black die-cast aluminium body & heat sink.

Trim Accessories: Multiple styles and finishes of matte polycarbonate trims available.

Optics: Matte lensed wall wash optic.

Mounting: Tool-free spring-clip mounting system into Targetti recessed housings. Decorative trim ring mounted after fixture installation with twist lock attachment.

Driver: Driver available as Electronic Phase or 0-10V dimmable. Also available with EldoLED 0-10V, Eco (1%) and Solo (0.1%) dimmable drivers.

Wattage: 29W and 37W

Color Temperature: 2700K and 3000K standard, 84 & 97 CRI standard.

Voltage: 120-277V AC 50/60Hz, 120V or 277V must be specified for correct thermal protector.

IP: IP20, IP43

Certifications: Damp rated cULus listed to UL1598 & UL8750

IC/Air tight housing version is Chicago Plenum Rated.

Tested in accordance with LM-79-08

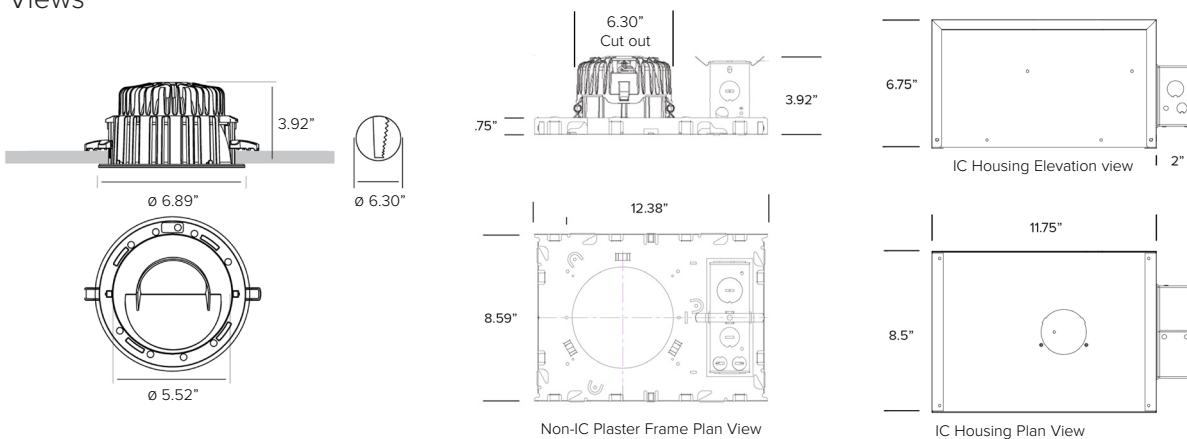
Warranty: 5 year limited warranty



Lumens:	3000°K		2700°K	
	29W	37W	29W	37W
Wall Wash =	1742Lm	2345Lm	1664Lm	2240Lm

PRODUCT CODE	DRIVER	OPTICS	WATTAGE	COLOR TEMP	CRI	HOUSING	VOLTAGE	+	TRIM
CCD-W CCT Fixed Wall Wash	EP ¹ — Electronic Phase Dimmable	WW — Wall Wash	L1 — 29W	27 — 2700K	84 — 84 CRI	NC — Non-IC Plaster Frame	1 — 120	+	Required
	10 — 0-10V		L2 — 37W	30 — 3000K	97 — 97 CRI		IC ² — IC/Air Tight Housing		2 — 277
	E1 — Eldo 1%								
	E0 — Eldo 0.1%								
	¹ Electronic phase dimmable available for 120V only.					² IC/Air tight housing suitable for Chicago Plenum rated installation.			

Views



TARGETTI

CCT LED ARCHITECTURAL WALL WASH

TRIM (REQUIRED)	
1T2935	Round White Trim
1T3530	Round Black Trim
Consult Factory	Plaster ring for trimless concave effect. Cutout Ø 14.45". To be completed with one round trim ring listed above.



1T2935



1T3530



Consult Factory

Photometric Information

WALL WASH		POLAR GRAPH	CONE OF LIGHT			
Fixture Power	29W		(Ft)	Max	Med	
Fixture Output	1664Lm 1742Lm		Alpha=35.3°=31.8°	G=12.0°	Beta=35.7°=37.0°	ftcd ftcd
Kelvin Temp	2700°K 3000°K		2.00	285	126	
Beam Spread	WW 73° WW 73°		4.00	71	31	
I _{Max}	428cd/klm 428cd/klm		6.00	32	14	
Efficacy	60 Lm/W 62 Lm/W	8.00	18	8		
		10.00	11	5		

WALL WASH		POLAR GRAPH	CONE OF LIGHT			
Fixture Power	37W		(Ft)	Max	Med	
Fixture Output	2240Lm 2345Lm		Alpha=35.5°=31.8°	G=12.0°	Beta=35.7°=37.0°	ftcd ftcd
Kelvin Temp	2700°K 3000°K		2.00	383	169	
Beam Spread	WW 73° WW 73°		4.00	96	42	
I _{Max}	428cd/klm 428cd/klm		6.00	43	19	
Efficacy	61 Lm/W 63 Lm/W	8.00	24	11		
		10.00	15	7		