

CCT LED ARCHITECTURAL MINI CLASS II

9° Intensive Spot 4" Professional Adjustable LED Downlight

Concept: Versatile precision small (4") aperture single LED COB downlight with intensive beam on axis candle power.

Materials: Painted Black die-cast aluminium heat sink and White polycarbonate body.

Trim Accessories: Multiple styles and finishes of matte polycarbonate trims and secondary reflectors available.

Optics: Optic reflector assembly in 9° narrow spot beam spread.

Mounting: Tool-free spring-clip mounting system. Decorative trim ring mounted after fixture installation with twist lock attachment.

Driver: Remote driver available EldoLED 0-10V dimmable drivers.

Wattage: 5W

Color Temperature: 2700K and 3000K standard

IP Rating: Damp Location

Certifications: Class 2 UL2108

Tested in accordance with LM-79-08

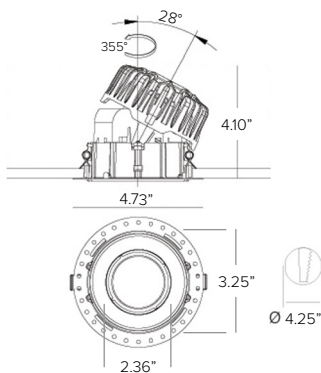
Warranty: 5 year limited warranty



Lumens:	2700°K	3000°K
	147Lm	163Lm

PRODUCT CODE	DRIVER	OPTICS	WATTAGE	COLOR TEMP	CRI	+	DRIVER	+	TRIM & REFLECTOR
CCM-I Arc Mini Intensive	RP — Remote Power	NS — Narrow Spot 9°	L1 — 5W	27 — 2700K 30 — 3000K	84 — 84 CRI		Required (See Pg 2)		Required (See Pg 2)

Views



TARGETTI

CCT LED ARCHITECTURAL MINI CLASS II

Power Supply (REQUIRED)	Type	Max Fixture Per Driver	Output	Input Voltage	Dimmability	Listing	Dimensions
PS001'	EldoLED Eco Drive Class II Power Supply, side feed only <i>(Listed Enclosure Provided by Others)</i>	1	10W 900mA	Universal 120-277VAC	0-10V Dimmable to 1%	UR Class II	5.12" x 2.83" x 1.35"

Consult factory for additional driver options.

'Installation of transformer must be compliant to Class II installation standards. Refer to NEC and local building code requirements.

TRIM (REQUIRED)	
1T4696	Round White Trim
1T4697	Round Black Trim
1T4698	Square/Round White Trim
1T4699	Square/Round Black Trim
1T4702	Pinhole White
1T4703	Pinhole Black
1T4704	Round IP54, White
1T4705	Round IP54, Black
1T4714	Square/Square White Trim/White secondary reflector
1T4715	Square/Square Black Trim/Black secondary reflector
1T4716	Square/Square White Trim/Silver secondary reflector
1T4717	Square/Square White Trim/Black secondary reflector
1T4718	Square/Square White Trim/Copper secondary reflector
1T4719	Square/Square White Trim/Gold secondary reflector
1T4720	Square/Square Black Trim/Gold secondary reflector
1T5242MOD	Plaster ring for trimless concave effect. Cutout Ø 14.45". To be completed with one round trim ring listed above.



1T4696



1T4697



1T4698



1T4699



1T4702



1T4703



1T4704



1T4705

SECONDARY REFLECTOR (REQUIRED)	
* Factory Installed	
1T4710	White
1T4711	Black
1T4712	Copper
1T4713	Gold
1T475A	Silver



Secondary Reflector



Square/Square



1T5242MOD

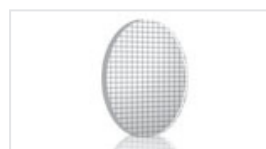
ACCESSORIES	
49881	Chromatic Filter - Red
49882	Chromatic Filter - Green
49886	Chromatic Filter - Blue
49887	Chromatic Filter - Yellow
49959	Chromatic Filter - Magenta
1T1745	Cold Tone Filter
1T1748	Gold Tone Filter
1T1751	Peach Tone Filter
1T4721	Blade of Light Filter
1T4322	Honeycomb Louver
1T4324	Zoom



Chromatic Filter



Tone Filter



1T1745



1T1748



1T4324

CCT LED ARCHITECTURAL MINI CLASS II

Photometric Information

NARROW SPOT			POLAR GRAPH	CONE OF LIGHT					
Fixture Power	5W	5W		(Ft)	Alpha=4.3°+4.3°	Gamma=0.0°	Beta=4.3°+4.3°	Max	Med
Fixture Output	147Lm	163Lm		2.00				ftcd	ftcd
Kelvin Temp	2700°K	3000°K		4.00				277	183
Beam Spread	NSP 9°	NSP 9°		6.00				123	81
I _{Max}	22178cd/klm	22178cd/klm		8.00				69	48
Efficacy	30Lm/W	33 Lm/W		10.00				44	29