

TARGETTI

CCT LED ARCHITECTURAL MINI CLASS II

4" Professional Adjustable LED Downlight

Concept: Professional single COB LED in small aperture (4") recessed adjustable downlight.

Materials: Painted Black die-cast aluminium heat sink and White polycarbonate body.

Trim Accessories: Multiple styles and finishes of matte polycarbonate trims and secondary reflectors available.

Optics: Primary optical assembly complete with metal precision optic with convex facets (MW) or methacrylate lens (SP and FL).

Mounting: Tool-free spring-clip mounting system. Decorative trim ring mounted after fixture installation with twist lock attachment.

Driver: Remote driver available as EldoLED 0-10V dimmable drivers.

Wattage: 9W standard

Color Temperature: 2700K and 3000K standard

IP Rating: Damp Location

Certifications: Class 2 UL2108

Tested in accordance with LM-79-08

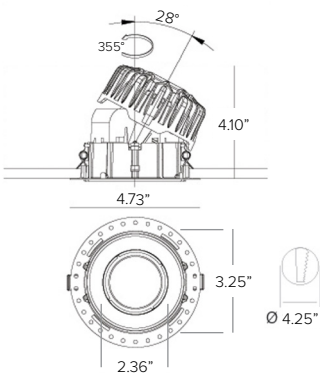
Warranty: 5 year limited warranty



Lumens:	3000°K 9W	2700°K 9W
Spot 15° =	572Lm	543Lm
Flood 30° =	791Lm	752Lm
Medium Wide Flood 45° =	914Lm	869Lm

PRODUCT CODE	DRIVER	OPTICS	WATTAGE	COLOR TEMP	CRI	+	DRIVER	+	TRIM & REFLECTOR
CCM-A Arc Mini Adjustable	RP — Remote Power	SP — Spot 15° w/diffusion lens	L1 — 9W	27 — 2700K	84 — 84 CRI		Required		Required
		FL — Flood 30° w/diffusion lens		30 — 3000K			(See Pg 2)		(See Pg 2)
		MFL — Medium Wide Flood 45°							

Views



TARGETTI

CCT LED ARCHITECTURAL MINI CLASS II

Power Supply (REQUIRED)	Type	Max Fixture Per Driver	Output	Input Voltage	Dimmability	Listing	Dimensions
PS004¹	EldoLED Eco Drive Class II Power Supply, side feed only <i>(Listed Enclosure Provided by Others)</i>	1	10W 225mA	Universal 120-277VAC	0-10V Dimmable to 1%	UR Class II	5.12" x 2.83" x 1.35"
PS005¹	Electronic Class II Driver, side feed only <i>(Listed Enclosure Provided by Others)</i>	1	16W 350mA	120VAC	Phase Dimmable to 15%	UR Class II	4.38" x 1.86" x 1.30"

Consult factory for additional driver options.

¹Installation of transformer must be compliant to Class II installation standards. Refer to NEC and local building code requirements.

TRIM (REQUIRED)	
1T4696	Round White Trim
1T4697	Round Black Trim
1T4698	Square/Round White Trim
1T4699	Square/Round Black Trim
1T4702	Pinhole White
1T4703	Pinhole Black
1T4704	Round IP54, White
1T4705	Round IP54, Black
1T4714	Square/Square White Trim/White secondary reflector
1T4715	Square/Square Black Trim/Black secondary reflector
1T4716	Square/Square White Trim/Silver secondary reflector
1T4717	Square/Square White Trim/Black secondary reflector
1T4718	Square/Square White Trim/Copper secondary reflector
1T4719	Square/Square White Trim/Gold secondary reflector
1T4720	Square/Square Black Trim/Gold secondary reflector
Consult Factory	Plaster ring for trimless concave effect. Cutout Ø 14.45". To be completed with one round trim ring listed above.

SECONDARY REFLECTOR (REQUIRED)	
* Factory Installed	
1T4710	White
1T4711	Black
1T4712	Copper
1T4713	Gold
1T475A	Silver

ACCESSORIES	
49881	Chromatic Filter - Red
49882	Chromatic Filter - Green
49886	Chromatic Filter - Blue
49887	Chromatic Filter - Yellow
49959	Chromatic Filter - Magenta
1T1745	Cold Tone Filter
1T1748	Gold Tone Filter
1T1751	Peach Tone Filter
1T4721	Blade of Light Filter
1T4322	Honeycomb Louver
1T4324	Zoom



1T4696



1T4697



1T4698



1T4699



1T4702



1T4703



1T4704



1T4705



Secondary Reflector



Square/Square



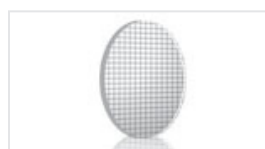
Consult Factory



Chromatic Filter



Tone Filter



1T4721



1T4322



1T4324

TARGETTI

CCT LED ARCHITECTURAL MINI CLASS II

Photometric Information

SPOT		POLAR GRAPH		CONE OF LIGHT					
Fixture Power	9W			(Ft)	Alpha=7.6°=7.6°	GH=0.0°	Beta=7.6°=7.6°	Max	Med
Fixture Output	543Lm	572Lm		2.00				ftcd	ftcd
Kelvin Temp	2700°K	3000°K		4.00				1811	1191
Beam Spread	SP 15°	SP 15°		6.00				453	298
I _{Max}	9468cd/klm	9468cd/klm		8.00				201	132
Efficacy	60 Lm/W	64 Lm/W		10.00				72	48

FLOOD		POLAR GRAPH		CONE OF LIGHT					
Fixture Power	9W			(Ft)	Alpha=15.2°=15.2°	GH=0.0°	Beta=14.9°=14.9°	Max	Med
Fixture Output	752Lm	791Lm		2.00				ftcd	ftcd
Kelvin Temp	2700°K	3000°K		4.00				726	463
Beam Spread	FL 30°	FL 30°		6.00				182	116
I _{Max}	2627cd/klm	2627cd/klm		8.00				81	51
Efficacy	84 Lm/W	88 Lm/W		10.00				45	29

MEDIUM WIDE FLOOD		2700°K	3000°K	POLAR GRAPH		CONE OF LIGHT			
Fixture Power	9W			(Ft)	Alpha=24.2°=24.2°	GH=0.0° Max. int. at G	Beta=24.2°=24.2°	Max	Med
Fixture Output	869Lm	914Lm		2.00				ftcd	ftcd
Kelvin Temp	2700°K	3000°K		4.00				372	224
Beam Spread	MFL 45°	MFL 45°		6.00				93	56
I _{Max}	1372cd/klm	1372cd/klm		8.00				41	25
Efficacy	97 Lm/W	102 Lm/W		10.00				23	14